



Electro-Pneumatic Positioner

TZIDC, TZIDC-110, TZIDC-120

Spare Parts List

SPL/TZIDC/110/120-EN

12.2007

For spare parts orders as well as requests for factory or on-site service, contact

ABB Automation GmbH

- Service Instruments -

Schillerstrasse 72

D - 32425 Minden

Tel.: +49 (0) 571 830 1364

Fax: +49 (0) 571 830 1744

E-Mail parts-repair-minden@de.abb.com

© Copyright 2007 by ABB Automation GmbH

Subject to change without notice

This document is protected by copyright. It assists the user with the safe and efficient operation of the device. The contents may not be copied or reproduced in whole or in excerpts without prior approval of the copyright holder.

| | | |
|----------|---|-----------|
| 1 | Model plate | 4 |
| 2 | Main components | 5 |
| 2.1 | Electronics and I/P module | 5 |
| 2.2 | Housing connections | 6 |
| 2.3 | Air filter | 7 |
| 2.4 | Housing cover | 8 |
| 2.5 | PVC covering cap..... | 8 |
| 2.6 | Mechanical position indicator | 9 |
| 2.7 | Pressure gauge block..... | 9 |
| 3 | Optional upgrades | 10 |
| 3.1 | Plug-in module for analog position feedback | 10 |
| 3.2 | Plug-in module for digital position feedback..... | 10 |
| 3.3 | Plug-in module for shutdown function..... | 11 |
| 3.4 | Mech. Installation kit for digital Digital position feedback with proximity switches..... | 11 |
| 3.5 | Mech. Installation kit for digital Position feedback with microswitches | 12 |
| 3.6 | Replacement part package for the original equipment | 12 |
| 4 | Accessories | 13 |
| 4.1 | Individual replacement parts for the attachment kit for linear actuators | 13 |
| 4.2 | Individual replacement parts for the attachment kit for rotary actuators | 14 |
| 4.3 | Attachment kit for linear actuators to DIN/IEC 534 / NAMUR | 14 |
| 4.4 | Attachment kit for rotary actuators to VDI / VDE 3845..... | 14 |
| 4.5 | Attachment kit for integrated mounting to control valves type 23/24 + 23/25 | 14 |
| 4.6 | Attachment kit for integrated mounting to control valve type 23/26 | 15 |
| 4.7 | Brass filter regulator | 15 |
| 4.8 | Attachment kit for manufacturer/type | 16 |

Model plate

1 Model plate

To identify the design of the positioner, refer to the model plate located on the positioner housing (see figure). Spare parts orders must include items 1 (positioner type), 2 (type), 3 (serial number) and 4 (NL number).

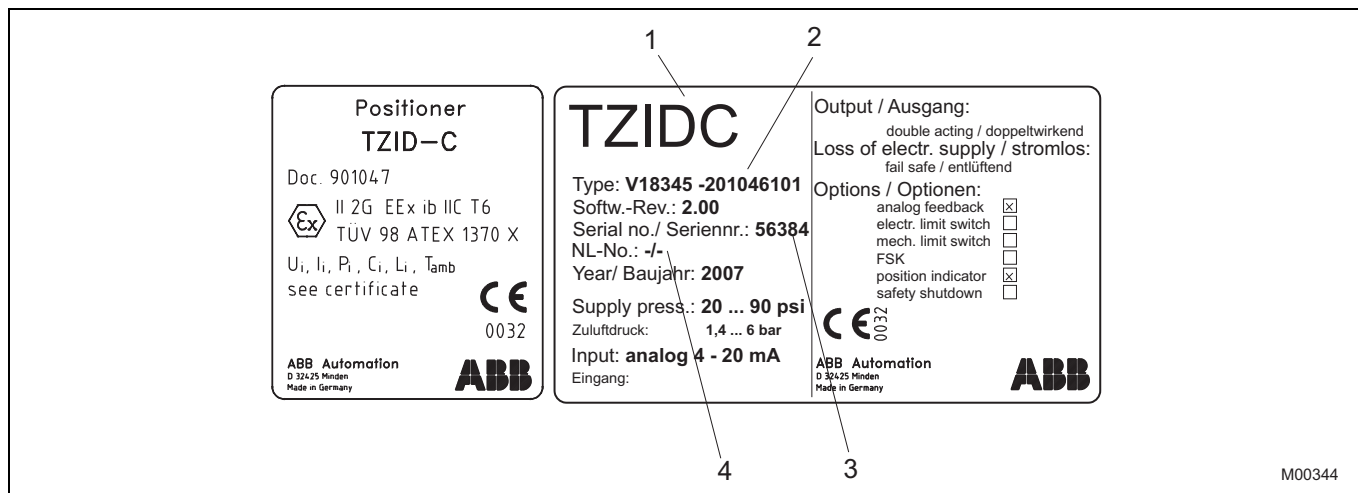
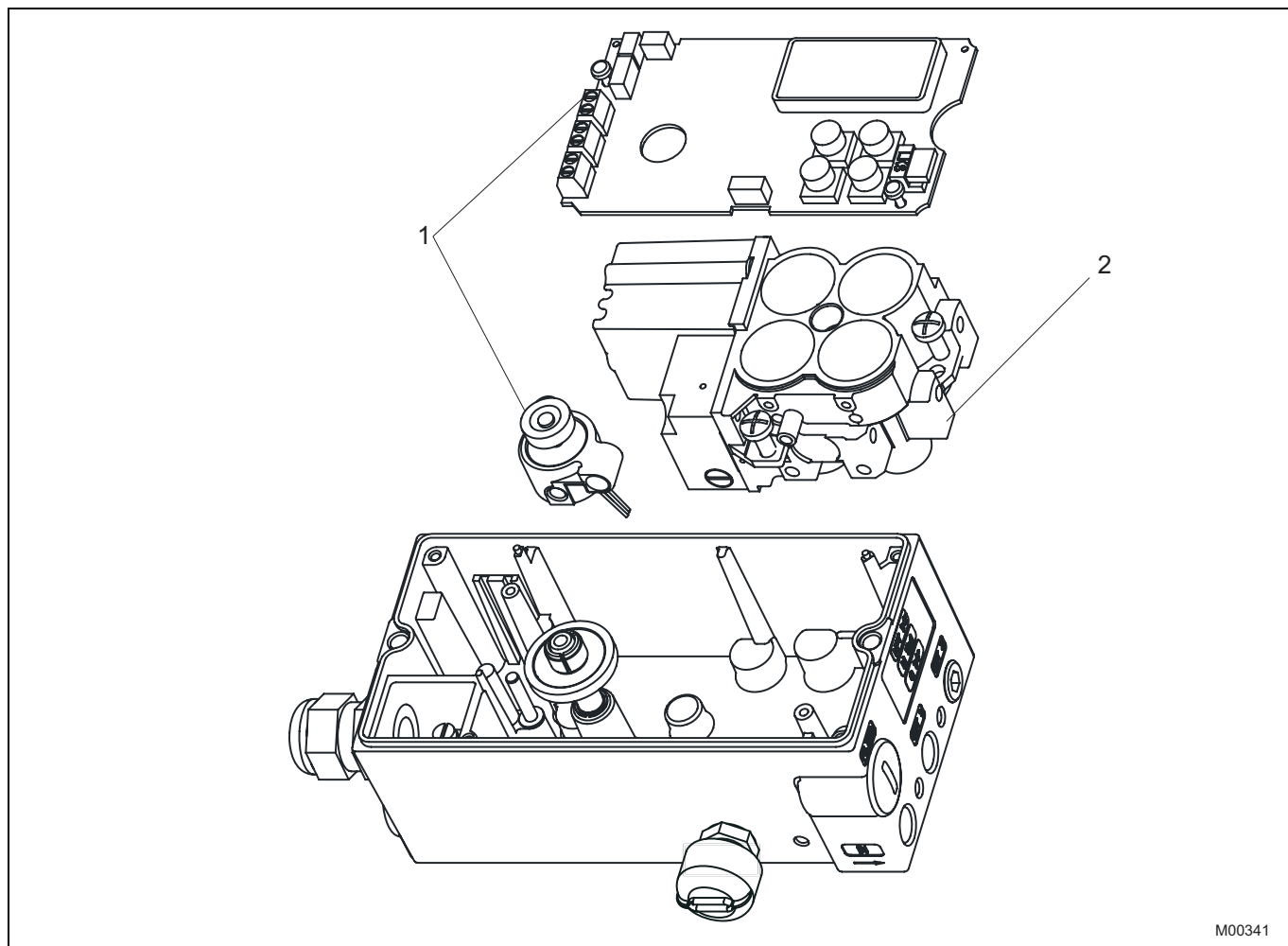


Fig. 1

The numbers following the letters "NL-No.:" indicate a non-standard design! This number must be provided with the information from the model plate to ensure proper delivery of spare parts (order numbers may vary)!

2 Main components

2.1 Electronics and I/P-modules



M00341

Fig. 2

| Item | Parameter | Order number | Weight (kg) | Price (€) |
|------|--|--------------|-------------|-----------|
| 1 | Electronics adjusted with position sensor (adapter, see below, required) | | | |
| | - Main board TZIDC Ex intrinsically safe with FSK + Poti | 7959293 | 0,160 | |
| | - Main board TZIDC FM/CSA with FSK + Poti | 7959297 | 0,160 | |
| | - Main board TZIDC-110 Ex-ia + Poti | 7959294 | 0,160 | |
| | - Main board TZIDC-120 Ex-ia + Poti | 7959295 | 0,160 | |
| - | Adapter for exchange main board + Poti | 7959296 | 0,090 | |
| 2 | I/P-module Exia includes O-rings and screws | | | |
| | - single acting, fail safe | 7958510 | 0,840 | |
| | - single acting, fail freeze | 7958511 | 0,840 | |
| | - double acting, fail safe | 7958512 | 0,910 | |
| | - double acting, fail freeze | 7958513 | 0,910 | |

2.2 Housing connections

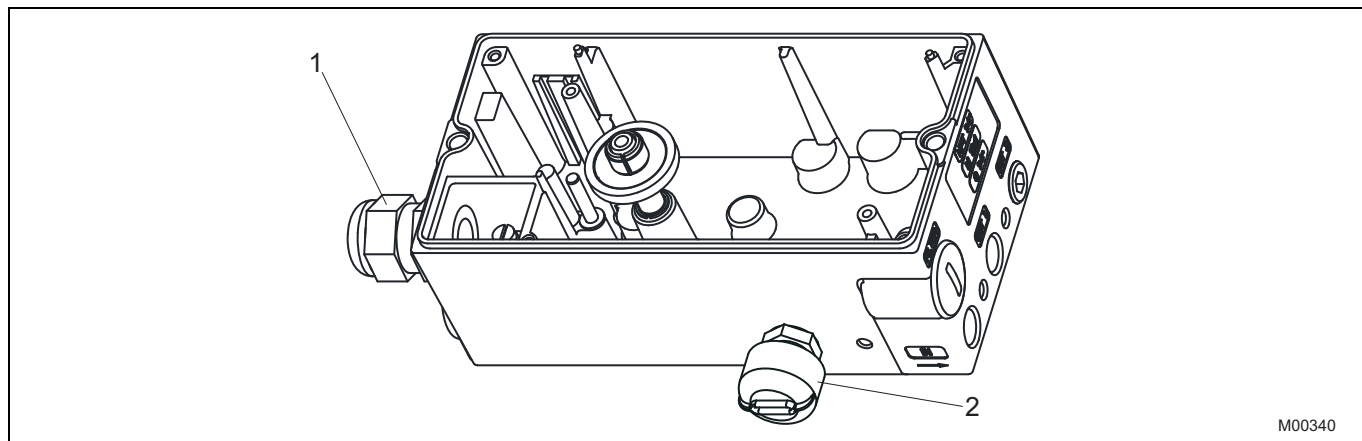


Fig. 3

| Item | Parameter | Order number | Weight (kg) | Price (€) |
|------|---|--------------|-------------|-----------|
| 1 | Cable gland | | | |
| | - NPT1/2" - gray - n. Ex | 7943135 | 0,015 | |
| | - NPT1/2" - blue - Ex | 7942088 | 0,015 | |
| | - M20 x 1.5 - gray - n. Ex | 7943137 | 0,015 | |
| | - M20 x 1.5 - blue - Ex | 7943136 | 0,015 | |
| | - PG13.5 - gray - n. Ex | 7943057 | 0,015 | |
| | - PG13.5 - blue - Ex | 7943138 | 0,015 | |
| | - NPT1/2" - EMC - brass - nickel plate | 7946368 | 0,050 | |
| | - NPT1/2" - EMC - Ex - brass - nickel plate | 7946365 | 0,050 | |
| | - M20 x 1.5 - EMC - brass - nickel plate | 7946367 | 0,050 | |
| | - M20 x 1.5 - EMC - Ex - brass - nickel plate | 7946364 | 0,050 | |
| | - PG13.5 - EMC - brass - nickel plate | 7946369 | 0,050 | |
| | - PG13.5 - EMC - Ex - brass - nickel plate | 7946366 | 0,050 | |
| 2 | Splash guard cap for IP 65 protection class | 7945090 | | |

2.3 Air filter

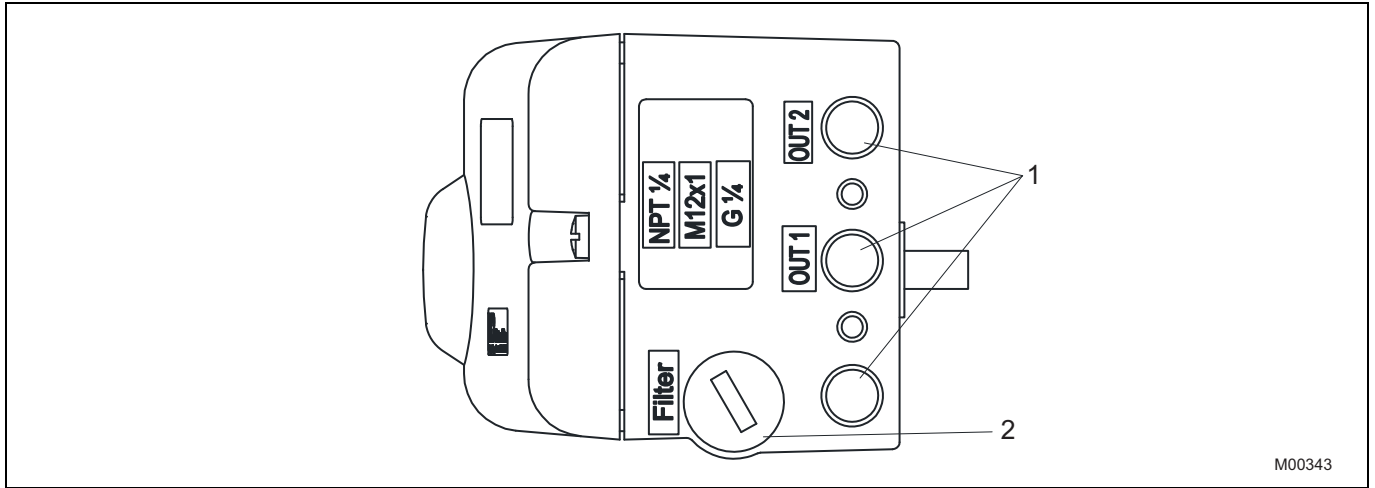


Fig. 4

| Item | Parameter | Order number | Weight (kg) | Price (€) |
|------|-------------------------|--------------|-------------|-----------|
| 1 | Mesh filter 1/4" | 7942483 | 0,005 | |
| 2 | Air filter exchange set | 7959188 | 0,020 | |

2.4 Housing cover

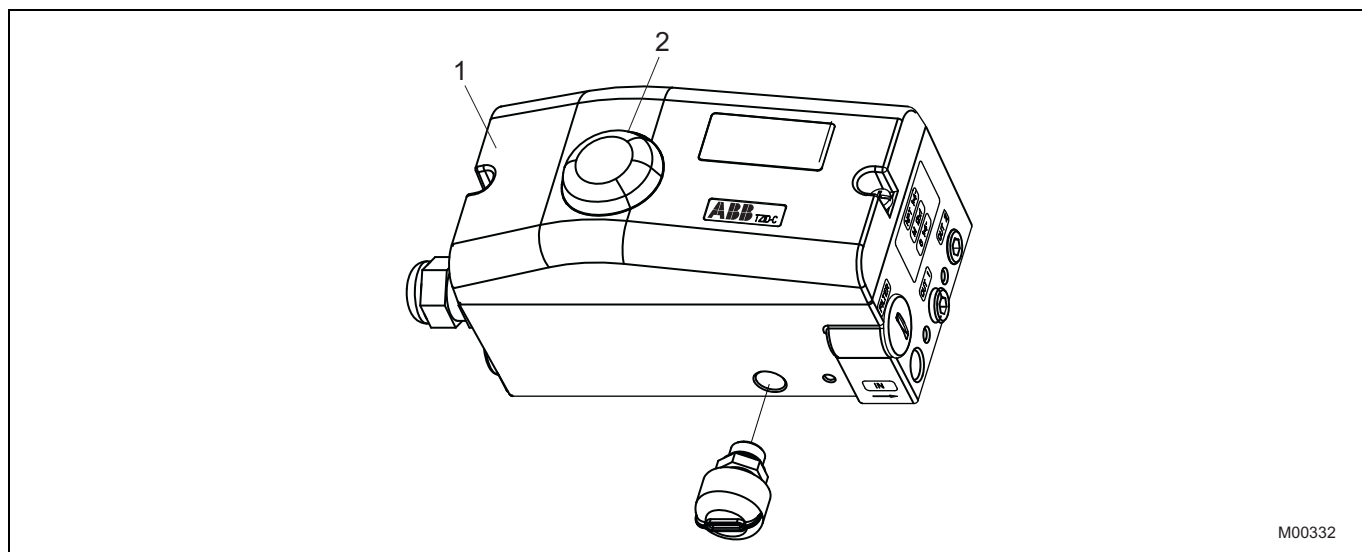


Fig. 5

| Item | Parameter | Order number | Weight (kg) | Price (€) |
|------|----------------------------------|--------------|-------------|-----------|
| 1 | Cover TZIDC | | | |
| | - without display gray-white | 7945555 | 0,200 | |
| | - with display gray-white | 7945558 | 0,210 | |
| 2 | Transparent dome FM/CSA | 7945898 | 0,010 | |
| | O-Ring 38 x 1.2 - NBR70 | 7945309 | 0,002 | |
| | Screw EJOT 3 x 6 - A2 galvanized | 7945310 | 0,002 | |

2.5 PVC covering cap

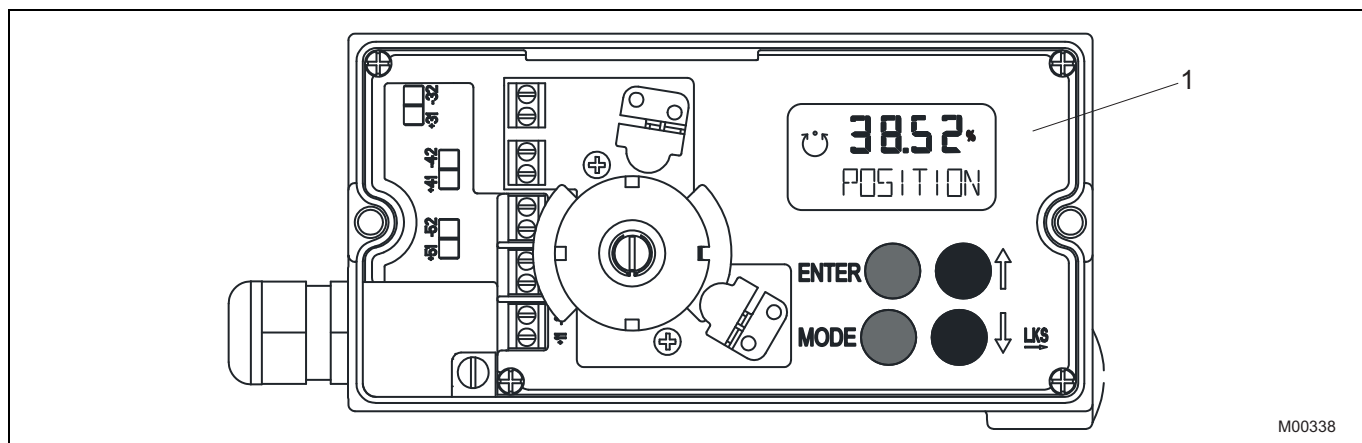


Fig. 6

| Item | Parameter | Order number | Weight (kg) | Price (€) |
|------|--|--------------|-------------|-----------|
| 1 | Cap TZIDC cover interior space | 7944816 | 0,050 | |
| | Cap TZIDC-110/120 cover interior space | 7946240 | 0,050 | |

2.6 Mechanical position indicator

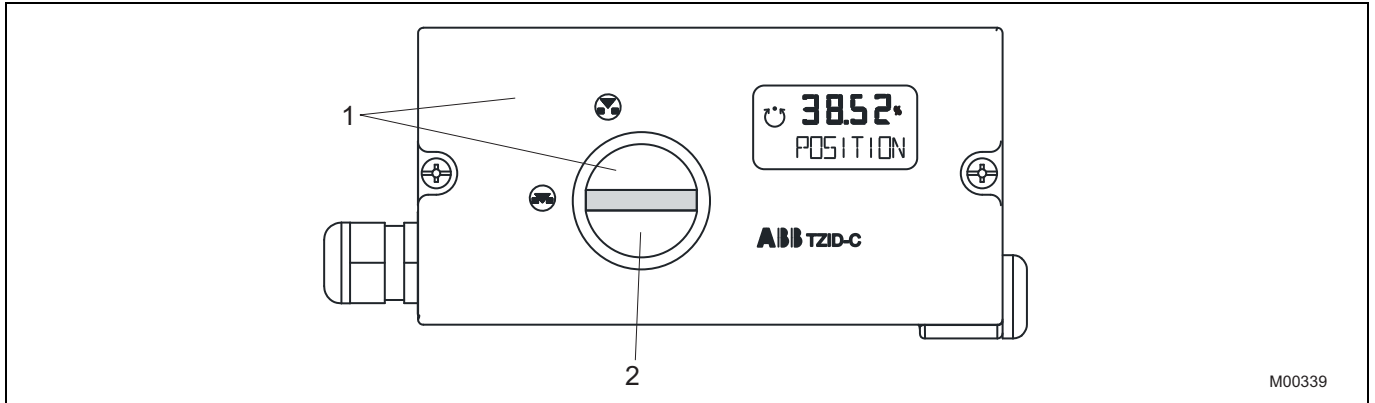


Fig. 7

| Item | Parameter | Order number | Weight (kg) | Price (€) |
|------|--|--------------|-------------|-----------|
| 1 | Installation kit for mechanical position indicator TZIDC with cover (retrofitting kit) | 7959130 | 0,260 | |
| 2 | Position indicator | 7944828 | 0,030 | |

2.7 Pressure gauge block

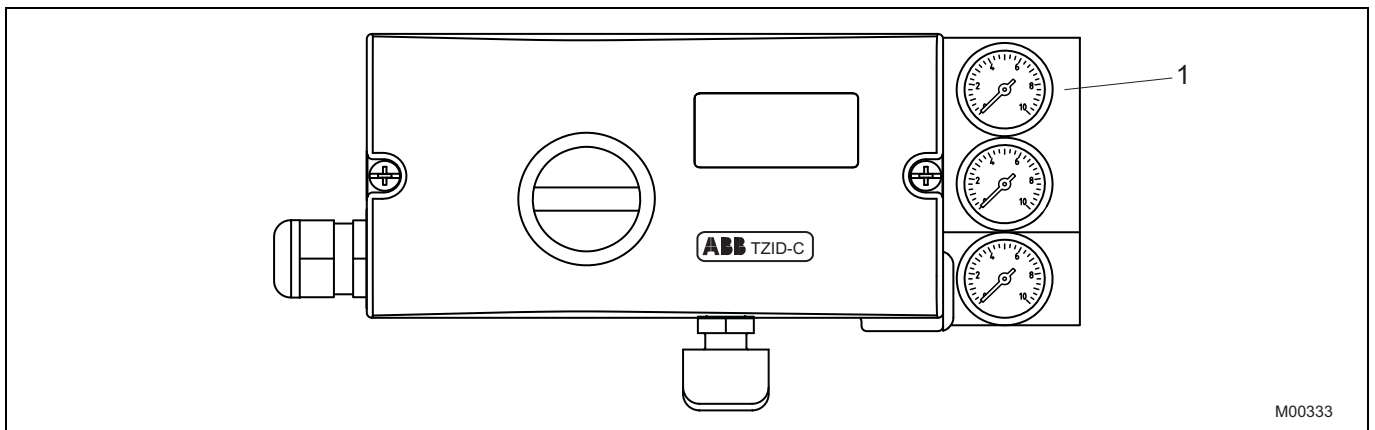


Fig. 8

| Item | Parameter | Order number | Weight (kg) | Price (€) |
|------|------------------------------|--------------|-------------|-----------|
| 1 | Pressure gauge block C black | | | |
| | - G1/4" single 6 bar | 7959111 | 0,260 | |
| | - G1/4" single 10 bar | 7959112 | 0,260 | |
| | - NPT1/4" single 6 bar | 7959113 | 0,280 | |
| | - NPT1/4" single 10 bar | 7959114 | 0,280 | |
| | - G1/4" double 6 bar | 7959115 | 0,310 | |
| | - G1/4" double 10 bar | 7959116 | 0,310 | |
| | - NPT1/4" double 6 bar | 7959117 | 0,320 | |
| | - NPT1/4" double 10 bar | 7959118 | 0,320 | |

3 Optional upgrades

3.1 Plug-in module for analog position feedback

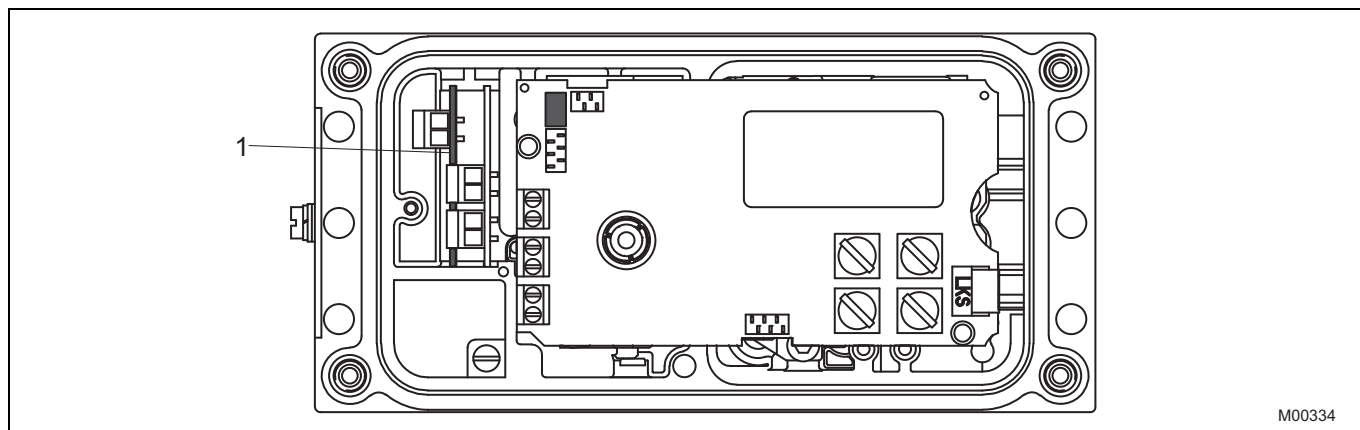


Fig. 9

| Item | Parameter | Order number | Weight (kg) | Price (€) |
|------|---------------------------------|--------------|-------------|-----------|
| 1 | Plug-in module (spare part kit) | | | |
| | - Analog feedback | 7959128 | 0,020 | |
| | - 48 V DC analog not Ex | 7959194 | 0,020 | |

3.2 Plug-in module for digital position feedback

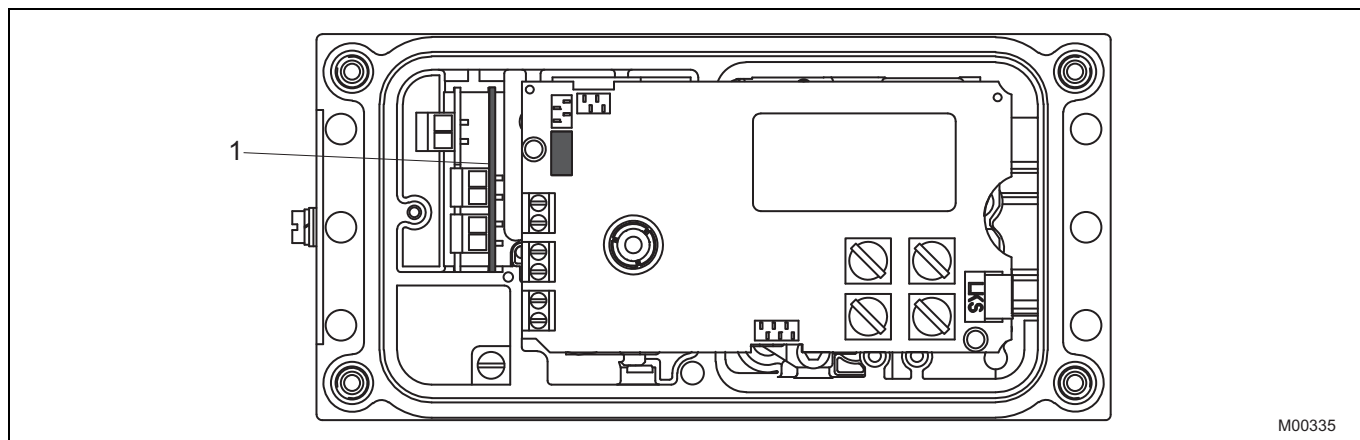


Fig. 10

| Item | Parameter | Order number | Weight (kg) | Price (€) |
|------|---|--------------|-------------|-----------|
| 1 | Plug module for digital feedback (spare part kit) | 7959129 | 0,200 | |

3.3 Plug-in module for shutdown function

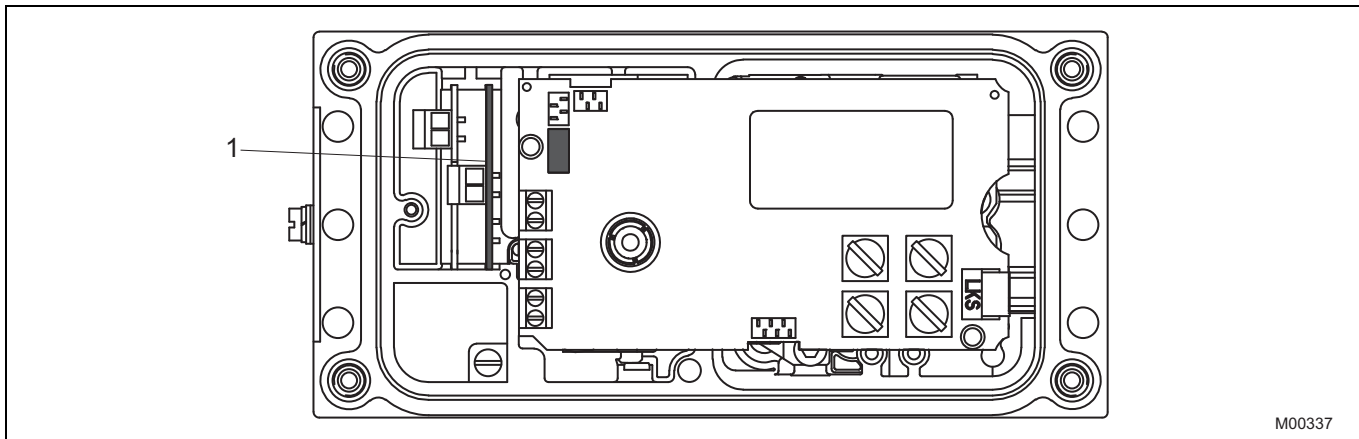


Fig. 11

| Item | Parameter | Order number | Weight (kg) | Price (€) |
|------|--|--------------|-------------|-----------|
| 1 | Plug-in module shutdown (spare part kit) | 7959199 | 0,200 | |

3.4 Mech. Installation kit for digital position feedback with proximity switches

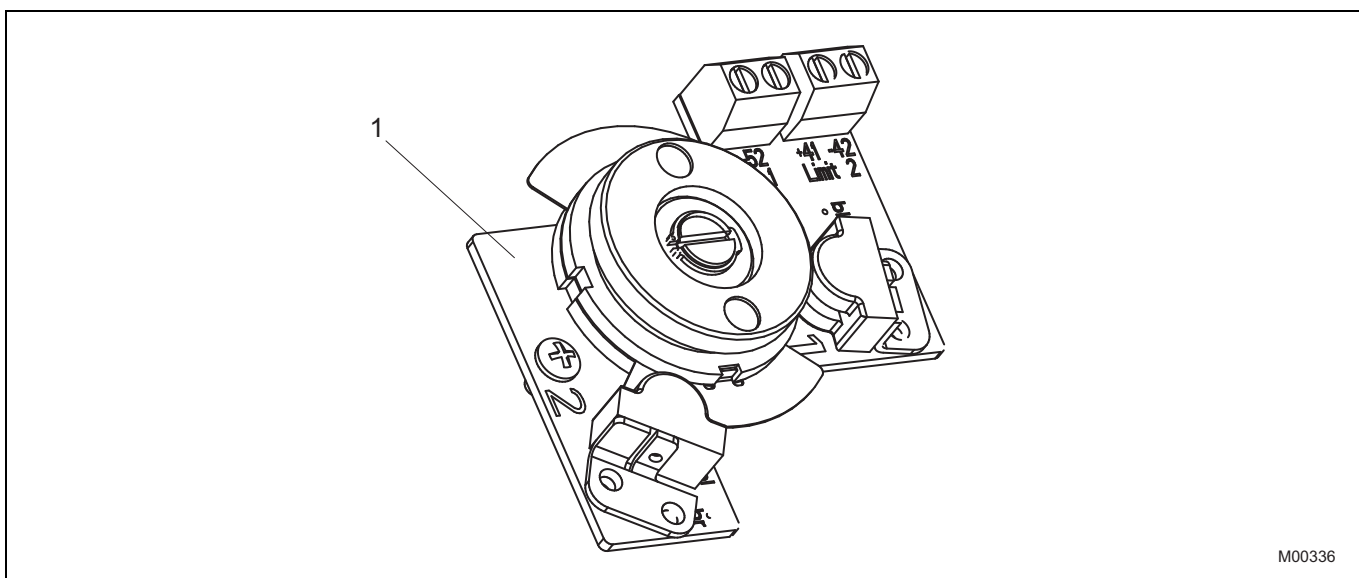


Fig. 12

| Item | Parameter | Order number | Weight (kg) | Price (€) |
|------|---|--------------|-------------|-----------|
| 1 | Installation kit for mechanical feedback (spare part kit) | | | |
| | - log1 without cover | 7959133 | 0,060 | |
| | - log0 without cover | 7959134 | 0,060 | |
| | - log1 with cover | 7959131 | 0,260 | |
| | - log0 with cover | 7959132 | 0,260 | |

Optional upgrades

3.5 Mech. Installation kit for digital position feedback with microswitches

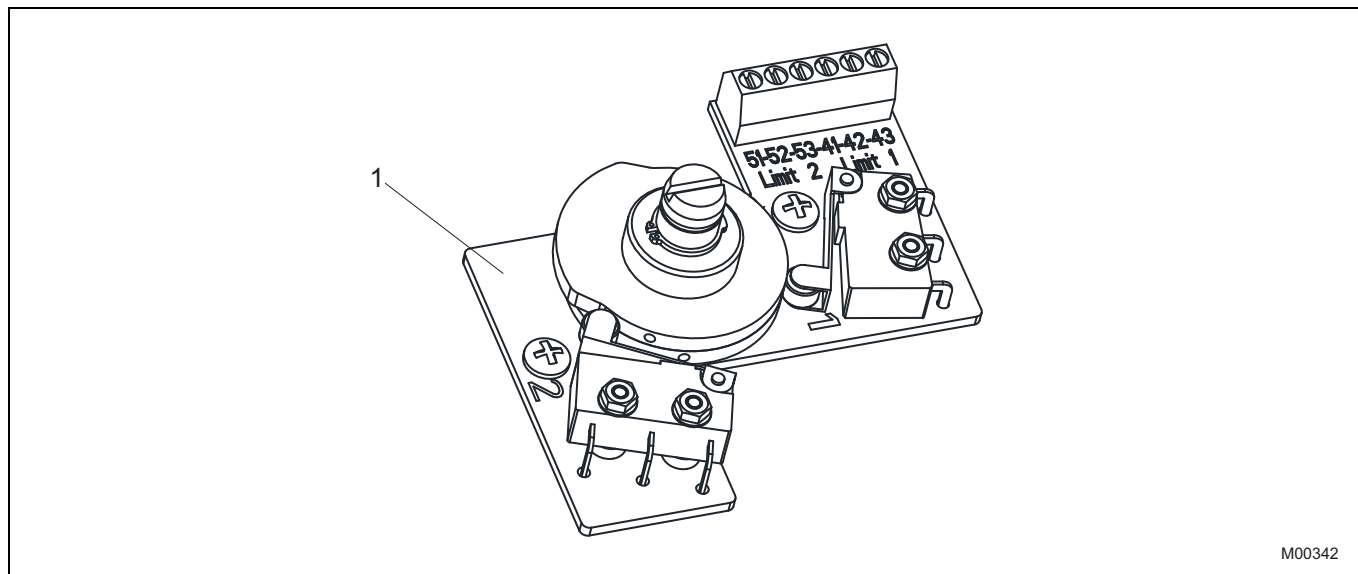


Fig. 13

| Item | Parameter | Order number | Weight (kg) | Price (€) |
|------|--|--------------|-------------|-----------|
| 1 | Installation kit for 24 V DC/AC microswitches (spare part kit) | | | |
| | - not Ex without cover | 7959190 | 0,080 | |
| | - not Ex with cover | 7959191 | 0,200 | |

3.6 Spare parts kit for the original equipment

| Item | Parameter | Order number | Weight (kg) | Price (€) |
|------|---|--------------|-------------|-----------|
| - | Spare parts kit TZIDC includes: | 7959198 | 0,050 | |
| | - 5 x filter element for air supply | | | |
| | - 5 x filter 17 mm-G100 | | | |
| | - 1 x sealing ring foam rubber 3 mm | | | |
| | - 2 x neck collar screw M5 x 22-A4-70 | | | |
| | - 1 x IP65 protection shield | | | |
| | - 1 x locking screw filter Ms-Cu/Ni | | | |
| | - 1 x O-Ring 17,17 x 1.78-NBR70 | | | |
| | - 1 x area washer for mechanical position indicator printed | | | |
| | - 1 x plate imprint valve position | | | |
| | - 1 x actuator compl. Attachment kit stroke cone principle | | | |
| | - 5 x spring attachment kit stroke cone principle | | | |
| | - 1 x mounting ring inside diameter 10.5 | | | |
| | - 1 x short operating instructions 42/18-68 XA | | | |

4 Accessories

4.1 Individual replacement parts for the attachment kit for linear actuators

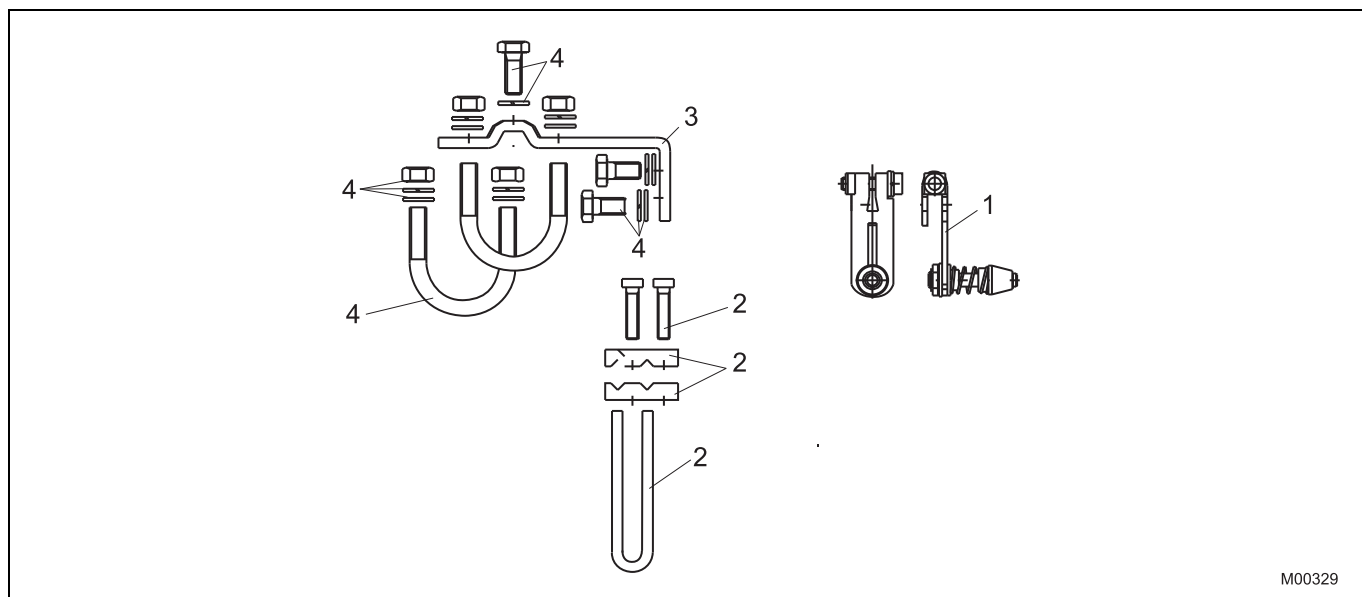


Fig. 14

| Item | Parameter | Order number | Weight (kg) | Price (€) |
|------|--|--------------------|----------------|-----------|
| 1 | Lever compact + accessories - 30 mm - 100 mm | 7946170 7946171 | 0,050 0,050 | |
| 2 | Bracket cone probe + accessories | 7946156 | 0,050 | |
| 3 | Mount bracket NAMUR stroke | 7945036 | 0,050 | |
| 4 | Screw set NAMUR stroke TZID-C | 7946155 | 0,020 | |

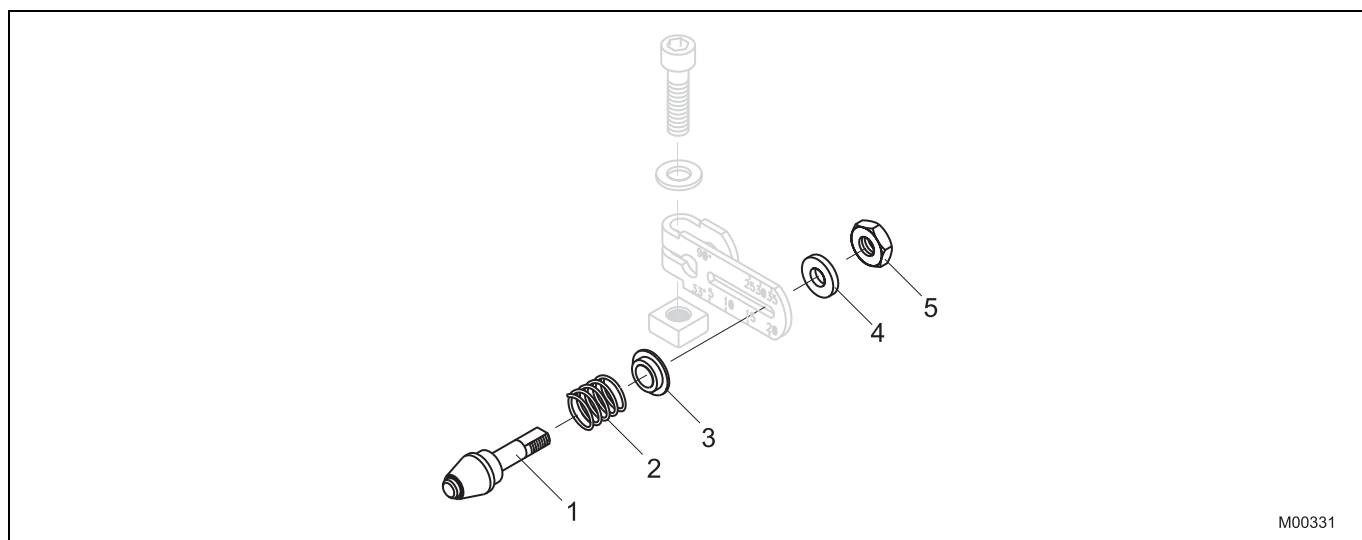


Fig. 15

| Item | Parameter | Order number | Weight (kg) | Price (€) |
|------|--|--------------|-------------|-----------|
| 1-5 | Actuator compl. Attachment kit stroke cone principle | 7945307 | 0,050 | |

4.2 Individual replacement parts for the attachment kit for rotary actuators

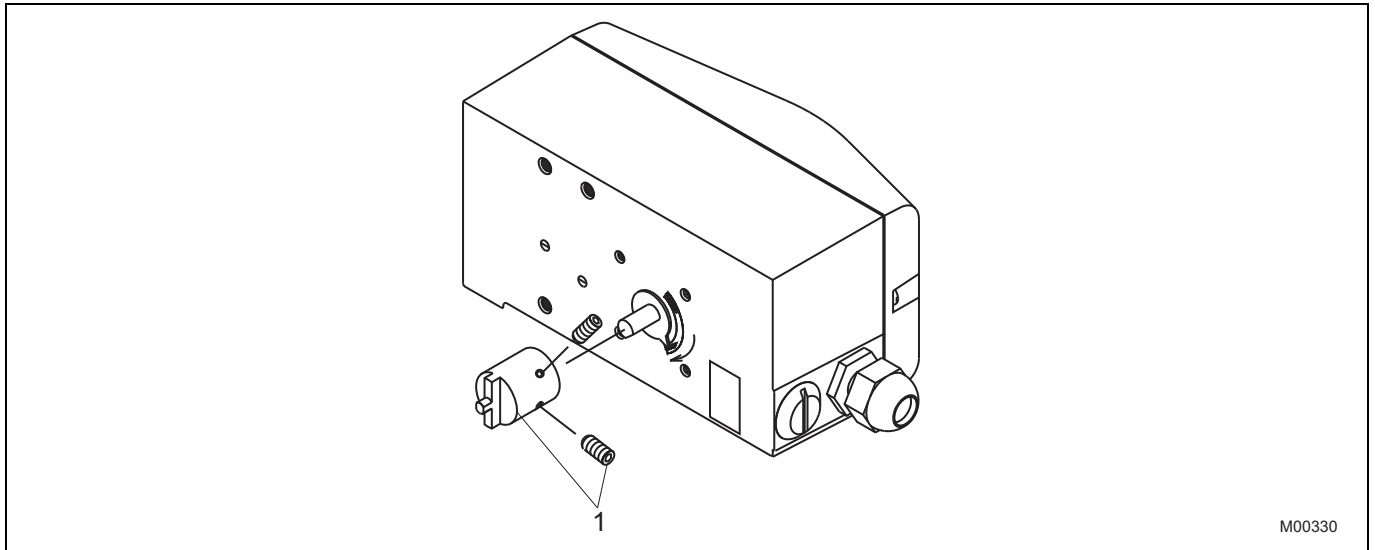


Fig. 16

| Item | Parameter | Order number | Weight (kg) | Price (€) |
|------|--------------------------|--------------|-------------|-----------|
| 1 | Adapter / axle connector | 7959110 | 0,055 | |

4.3 Attachment kit for linear actuators to DIN/IEC 534 / NAMUR

| Item | Parameter | Order number | Weight (kg) | Price (€) |
|------|---|--------------|-------------|-----------|
| - | Attachment kit NAMUR | | | |
| | - Stroke 10 ... 35 mm taper roller measuring tap | 7959125 | 0,690 | |
| | - Stroke 20 ... 100 mm taper roller measuring tap | 7959126 | 0,710 | |

4.4 Attachment kit for rotary actuators to VDI / VDE 3845

| Item | Parameter | Order number | Weight (kg) | Price (€) |
|------|---------------------------------|--------------|-------------|-----------|
| - | Adapter / axle connector | 7959110 | 0,055 | |
| - | Console | | | |
| | - Dimension A / B = 80 / 20 mm | 319603 | 0,400 | |
| | - Dimension A / B = 80 / 30 mm | 319604 | 0,400 | |
| | - Dimension A / B = 130 / 30 mm | 319605 | 0,400 | |
| | - Dimension A / B = 130 / 50 mm | 319606 | 0,400 | |

4.5 Attachment kit for integrated mounting to control valves type 23/24 + 23/25

| Item | Parameter | Order number | Weight (kg) | Price (€) |
|------|--|--------------|-------------|-----------|
| - | Attachment kit type 23/24 + 23/25 | | | |
| | - DN15 ... DN100, Stroke adjustment 10 ... 35 mm | 7959106 | 0,200 | |
| | - DN125 ... DN150, Stroke adjustent 25 ... 65 mm | 7959107 | 0,200 | |

4.6 Attachment kit for integrated mounting to control valve type 23/26

| Item | Parameter | Order number | Weight (kg) | Price (€) |
|------|--|--------------|-------------|-----------|
| - | Attachment kit type 23/26 | | | |
| | - DN25 ... DN100, Stroke adjustment 10 ... 35 mm | 7959108 | 0,850 | |
| | - DN125 ... DN162, Stroke adjustment 25 ... 65 mm | 7959109 | 0,850 | |

4.7 Brass filter regulator

| Item | Parameter | Order number | Weight (kg) | Price (€) |
|------|---|--------------|-------------|-----------|
| - | Filter regulator for TZIDC, complete (including mounting material to the pressure gauge block) | | | |
| | - Connecting thread G1/4" | 7959119 | 0,640 | |
| | - Connecting thread NPT1/4" | 7959120 | 0,640 | |

4.8 Attachment kit for manufacturer/type

| Items | Parameter | Order number | Weight (kg) | </dg_bm Price (€) |
|-------|---------------------|---|-------------|----------------------|
| - | Air Torque | - SC 30 / SC-P-60-4 | 319604 *) | 0,400 |
| | | - SR 30 | 319603 *) | 0,400 |
| | ARI | - DP32, DP33, DP34 | 7959125 | 0,700 |
| | AMG | - SAD 010 ... SAF 040 | 319603 *) | 0,400 |
| | | - SAD 040 ... SAF 050 | 319605 *) | 0,400 |
| | ARCA | - 812 stroke 30 mm | 7959107 | 0,120 |
| | | - 812 stroke 60 mm | 7959106 | 0,120 |
| | | - 813 stroke 30 mm | 7959109 | 0,120 |
| | | - 813 stroke 60 mm | 7959108 | 0,120 |
| | Automax | - DA 85 ... DA 150 | 319603 *) | 0,400 |
| | Badger Meter | - ATC 745/755 | 7959123 | 0,450 |
| | bar | - GTE / GTD 045 ... 127 | 319604 *) | 0,400 |
| | | - GTE / GTD 143 ... 254 | 319605 *) | 0,400 |
| | Bray | - 92 / 93 Series | 319603 *) | 0,400 |
| | Conovalve | - Series 740.000 / 750.000 / 770.000 / 795.000 | 7959125 | 0,700 |
| | EI-O-Matic | - ES / ED / PE / PD 500 ... 4004 | 319605 *) | 0,400 |
| | | - ES / ED / PE / PD 25 ... 350 | 319603 *) | 0,400 |
| | FESTO | - DRD-4-F05 ... DRD-50-F10 | 319603 *) | 0,400 |
| | | - DRD-77-F10 ... DRD-255-F14 | 319605 *) | 0,400 |
| | Fisher | - 1051-30, 1052-30 | 7959214 | |
| | | - 1061 Size 130 | 7959206 | 0,820 |
| | | - 471 | 7959195 | 1,440 |
| | | - 585 C | 7959250 | |
| | | - 657 / 667 Size 10 ... 30 mm | 7959177 | 0,300 |
| | Flow Serve | - DA 85 ... 150 | 319603 *) | 0,400 |
| | Foxboro | - FoxPak IP127 / V725 | 7959168 | |
| | | - V713 stroke 10 ... 35 mm | 7959125 | 0,700 |
| | | - V713 stroke 25 ... 90 mm | 7959126 | 0,700 |
| | GEFA | - AC 020 ... AC 1750 | 319604 *) | 0,400 |
| | | - MC 063 FA | 319603 *) | 0,400 |
| | GEMÜ | - 690/25 and 50 | 7959103 | |
| | | - CleanStar | 7959125 | 0,700 |
| | Gulde | - DK | 7959161 | 0,380 |

| Item | Parameter | Order number | Weight (kg) | Price (€) |
|----------------|--------------------------------|---|-------------|-----------|
| - | Honeywell | - 600-11, 600-15 | 7959126 | 0,700 |
| | Hytork | - XL26 ... XL680 | 319603 *) | 0,400 |
| | | - XL1125, XL1370, XL2585, XL4580 | 319605 *) | 0,400 |
| | Keystone | - 79U/E-002(S) ... 79U/E-181(S) | 7959147 | |
| | Mapag | - A/F 30 ... A/F 500 | 319603 *) | 0,400 |
| | Masoneilan | - CAMFLEX II, VARIMAX, MINITORK II | 7959144 | 1,180 |
| | | - VariPak 28000 Series | 7959163 | 0,820 |
| | MaxFlo | - MaxFlo | 7959140 | 0,010 |
| | NAF | - 791290 | 7959207 | |
| | NAMUR | - stroke 10 ... 35 mm | 7959125 | 0,700 |
| | | - stroke 25 ... 90 mm | 7959126 | 0,720 |
| | | - stroke 100 ... 170 mm | 7959339 | 0,880 |
| | NELES | - B1JU8, B1J8U, B1CU9/20E, B1CU17/55, B1CU13-32, B1C6U-20U, 1JAU10/20, BC6U-20U | 319603 *) | 0,400 |
| | | - BC6-20, B1C6-20, BJ8-20, B1J8-20 | 7959146 | 0,850 |
| | Norbro | - 10AR40, 20BR40, 20AR40, 20RDA40, 15AR40, 15BR40 | 319603 *) | 0,400 |
| | | - 25AR40, 25BR40, 35AR40, 35BR40, 33-40, 30AR40 | 319604 *) | 0,400 |
| | | - 45BR40, 45AR40 | 319606 *) | 0,600 |
| | Prisma | - PP10, PP20 | 319604 *) | 0,400 |
| | | - PPW | 319603 *) | 0,400 |
| | Remote Control | - RCD 05-DA/SR ... RCD 60-DA/SR | 319603 *) | 0,400 |
| Revo | - FD/FS 12, 25, 50 | 319603 *) | 0,400 | |
| | - FD/FS 90, 130, 180, 205, 306 | 319605 *) | 0,400 | |
| Richter | - RA-1/2 046 ... RA-1/2 127 | 319604 *) | 0,400 | |
| | - RA-1/2 185 ... RA-1/2 300 | 319605 *) | 0,400 | |
| Samson | - 241, 271, 3271 | 7959145 | 0,850 | |
| | - 3277 | 7959136 | 0,850 | |

| Item | Parameter | Order number | Weight (kg) | Price (€) |
|------|--|--------------|-------------|-----------|
| - | Schubert & Salzer - GS 8020 / 8021 / 8023 | 7959200 | | |
| | SED - SED stroke 100mm | 7959141 | | |
| | VDI / VDE 3845 - 80 / 20 mm | 319603 *) | 0,400 | |
| | - 80 / 30 mm | 319604 *) | 0,400 | |
| | - 130 / 30 mm | 319605 *) | 0,400 | |
| | - 130 / 50 mm | 319606 *) | 0,400 | |

**Important**

*) additionally required adapter / axle connector order no. 7959110

ABB has Sales & Customer Support
expertise in over 100 countries worldwide.

www.abb.com/service

The Company's policy is one of continuous product
improvement and the right is reserved to modify the
information contained herein without notice.

Printed in the Fed. Rep. of Germany (12.2007)

© ABB 2007

3KXE341001R4701



ABB Automation GmbH

-Service-

Kallstadter Strasse 1, 68309 Mannheim, GERMANY

Tel: +49 180 5 222 580, Fax: +49 621 38193 129031

automation.service@de.abb.com

SPL/TZIDC/110/120-EN