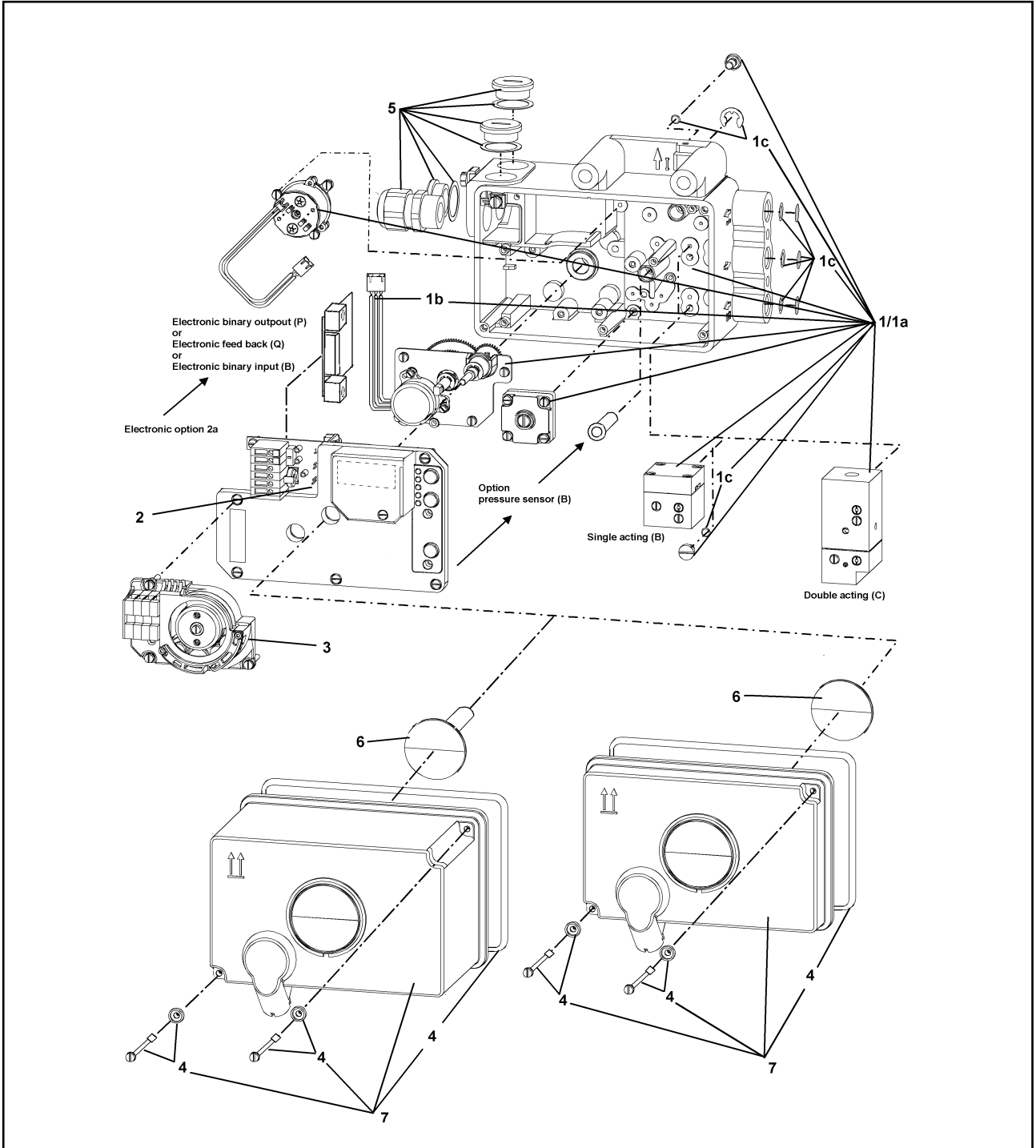


D300 Intelligent Positioner

Revision 3.2

Spare part list



Parts List

Pos.	Number	Cnt.	Description
1			Pneumatic unit (cont. 1a, 1b)
	EW 411 407 575	1	Pneumatic unit 1/4-18 NPT single acting
	EW 411 407 609	1	Pneumatic unit G1/4 single acting
	EW 411 407 566	1	Pneumatic unit 1/4-18 NPT double acting
	EW 411 407 618	1	Pneumatic unit G1/4 double acting
	EW 411 407 645	1	Pneumatic unit 1/4-18 NPT spool-valve
	EW 411 407 654	1	Pneumatic unit G1/4 spool-valve
1a			Pneumatic unit (cont. 1a, 1b) special painting blue RAL 5002
	EW 411 407 032	1	Pneumatic unit 1/4-18 NPT single acting
	EW 411 407 627	1	Pneumatic unit G1/4 single acting
	EW 411 407 052	1	Pneumatic unit 1/4-18 NPT double acting
	EW 411 407 636	1	Pneumatic unit G1/4 double acting
	EW 411 407 663	1	Pneumatic unit 1/4-18 NPT spool-valve
	EW 411 407 672	1	Pneumatic unit G1/4 spool-valve
1b			Connection cable potentiometer
	EW 424 598 053	1	Connection cable potentiometer
1c			Repair Kit
	EW 411 407 041	1	Repair Kit
2			Electronic D300
	EW 411 407 176	1	Electronic D300 HART
	EW 411 407 185	1	Electronic D300 HART with pressure sensors
	EW 411 407 158	1	Electronic D300 HART (ATEX)
	EW 411 407 228	1	Electronic D300 HART (ATEX) with LCD
	EW 411 407 167	1	Electronic D300 HART (ATEX) with pressure sensors
	EW 411 407 237	1	Electronic D300 HART (ATEX) with LCD and pressure sensors
	EW 411 407 194	1	Electronic D300 FoxCom without options
	EW 411 407 201	1	Electronic D300 FoxCom with options
	EW 411 407 487	1	Electronic D300 FoxCom without options, with pressure sensors
	EW 411 407 219	1	Electronic D300 FoxCom with options, with pressure sensors
	EW 411 407 496	1	Electronic D300 Profibus-PA
	EW 411 407 501	1	Electronic D300 Profibus-PA <CRLF>with pressure sensors
	EW 411 407 681	1	Electronic D300 Profibus-PA with LCD
	EW 411 407 692	1	Electronic D300 Profibus-PA with LCD and pressure sensors
	EW 411 407 512	1	Electronic D300 FF-Fieldbus H1
	EW 411 407 521	1	Electronic D300 FF-Fieldbus H1 with pressure sensors
	EW 411 407 706	1	Electronic D300 FF-Fieldbus H1 with LCD
	EW 411 407 715	1	Electronic D300 FF-Fieldbus H1 with LCD and pressure sensors

Parts List

Pos.	Number	Cnt.	Description
2a			Option board
	EW 411 407 255	1	Option board 4-20mA position feedback
	EW 411 407 255	1	Option board 4-20mA position feedback
	EW 411 407 273	1	Option board binary input
	EW 411 407 273	1	Option board binary input
	EW 411 407 264	1	Option board binary output
	EW 411 407 264	1	Option board binary output
	EW 411 407 282	1	Option board 4-20mA position feedback (ATEX)
	EW 411 407 325	1	Option board binary input (ATEX)
	EW 411 407 316	1	Option board binary output (ATEX)
	EW 411 407 334	1	Option board sensor input
	EW 411 407 352	1	Option board potentiometer
3			Limit switch
	EW 411 407 372	1	Limit switch (standard version SJ2-N)
	EW 411 407 381	1	Limit switch (security version SJ2-SN)
4			Washer
	EW 411 407 431	1	Washer
5			Lock screw
	EW 411 407 557	1	Lock screw
6			Travel indicator
	EW 424 172 014	1	Travel indicator short
	EW 424 172 023	1	Travel indicator long (for usage together with limit switch)
7			Cover
	EW 424 069 012	1	Cover low
	EW 424 069 021	1	Cover low avec NEMA4
	EW 425 196 027	1	Cover high avec NEMA4 (for use with limit switch)
7a			Cover special painting blue RAL 5002
	EW 424 069 508	1	Cover low
	EW 424 069 517	1	Cover low avec NEMA4
	EW 425 196 505	1	Cover high avec NEMA4 (for use with limit switch)
20			Angle calibrator (not illustrated)
	EW 425 014 038	1	Angle calibrator