



Models 31, 32, and 33

GO Switch Models 31, 32, and 33 offer end sensing in compact stainless steel enclosures.

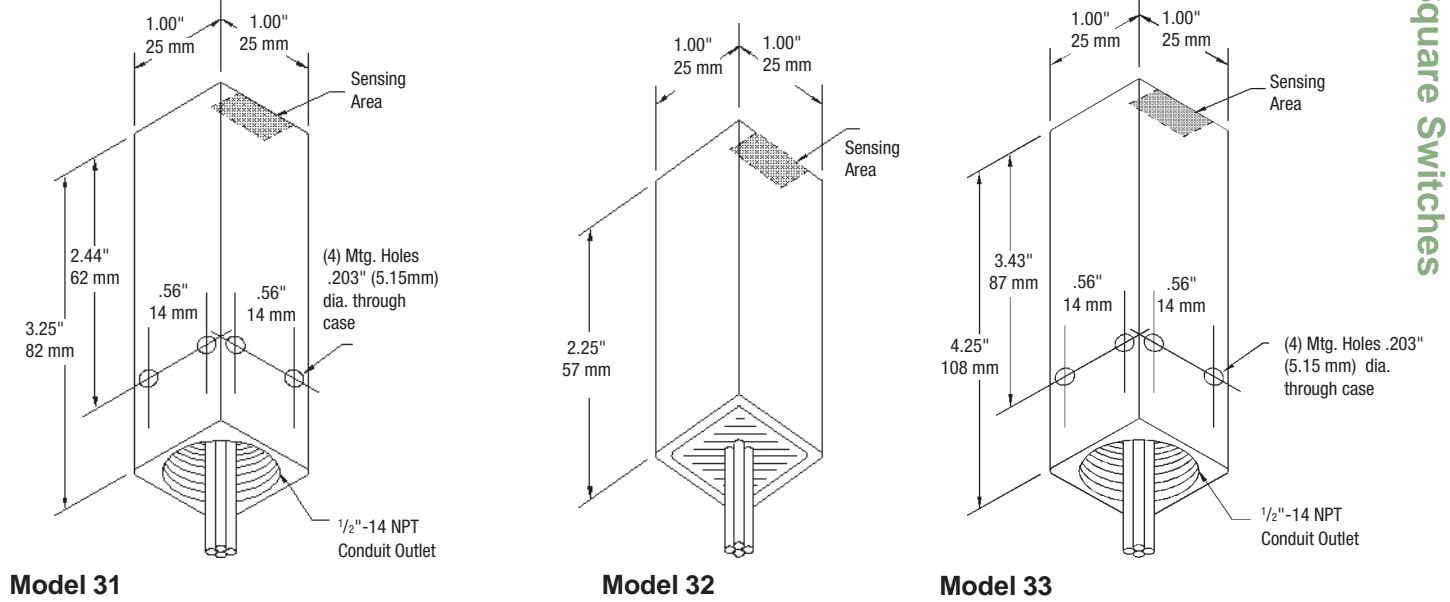
Features:

- SPDT 6A contacts
- End Sensing
- 40° to 221°F operating temperature

Options:

- Suitable for Zone 0, 1, or 2 explosion proof
- Quick disconnect connector

Dimensions



Model	Contact Form	Sensing Range	Outlet Position	Enclosure Material	Approvals	Wiring Options																																																												
<p>Repeatability: .002" (.05 mm)</p> <p>Response Time: 8 milliseconds</p> <p>Differential: Approx. 1/4" (6 mm)</p> <p>Operating Temperature: -40° to 221°F (-40° to 105°C)</p> <p>31 Size: 1" (25 mm) square x 3 1/4" (81 mm) overall</p> <p>32 Size: 1" (25 mm) square x 2 1/4" (57 mm) overall (includes mounting bracket)</p> <p>33 Size: 1" (25 mm) square x 4 1/4" (108 mm) overall</p>	<p>Contact Material: Silver cadmium oxide, gold flashed</p> <p>Form: SPDT, Form C</p> <p>Ratings: Resistive</p> <table border="1"> <thead> <tr> <th colspan="2">AC</th> <th colspan="2">DC</th> </tr> <tr> <th>Volts</th> <th>Amps</th> <th>Volts</th> <th>Amps</th> </tr> </thead> <tbody> <tr> <td>120</td> <td>6</td> <td>24</td> <td>2</td> </tr> <tr> <td>240</td> <td>3</td> <td>48</td> <td>*</td> </tr> <tr> <td>480</td> <td>*</td> <td>125</td> <td>*</td> </tr> <tr> <td></td> <td></td> <td>250</td> <td>0.25</td> </tr> </tbody> </table> <p>1 Single Pole Double Throw (Form C)</p> <p>Need Accessories? See pp. 92-103 for: Range Extending Target Magnets Mounting Brackets Connectors and more!</p> <p>Ordering Guide Fill in the boxes to create your 'ordering number.'</p>	AC		DC		Volts	Amps	Volts	Amps	120	6	24	2	240	3	48	*	480	*	125	*			250	0.25	<p>Target Material: Ferrous steel</p> <p>Sensing Range: Approx. 1/4" (6 mm)</p> <p>Sensing Range with Target Magnet: up to 2 5/8" (66 mm) (max)</p> <p>7 Precision sensing - approx. 1/4" (6 mm) side sensing (minimal differential)</p> <p>Extended Sensing Range with External Target Magnets (See Accessories for External Target Magnets)</p> <table border="1"> <thead> <tr> <th>Models 31 and 32</th> <th>Magnet</th> <th>Sensing</th> <th>Differential</th> </tr> </thead> <tbody> <tr> <td>AMP3</td> <td>3/4"</td> <td>1-1/4"</td> <td></td> </tr> <tr> <td>AMS4</td> <td>1"</td> <td>1-1/2"</td> <td></td> </tr> <tr> <td>AMC5</td> <td>2-5/8"</td> <td>3-1/2"</td> <td></td> </tr> <tr> <td>AMF6</td> <td>1-5/8"</td> <td>4-1/4"</td> <td></td> </tr> </tbody> </table>	Models 31 and 32	Magnet	Sensing	Differential	AMP3	3/4"	1-1/4"		AMS4	1"	1-1/2"		AMC5	2-5/8"	3-1/2"		AMF6	1-5/8"	4-1/4"		<p>Conduit Outlet: 1/2 NPT, bottom. (Model 31 and 33)</p> <p>3 No conduit hub (Model 32) (includes mounting bracket)</p> <p>5 Conduit hub on bottom of enclosure with mounting holes (Model 31 and 33)</p>	<p>2 Stainless steel</p> <p>4 Stainless steel - corrosion resistant coating (polyurethane)</p>	<p>4 CSA / FM certified explosion proof for CI I, Div 1 & 2; Grps A,B,C,D; CI II, Div 1 & 2, Grps E-G; CI III. (Model 31)</p> <p>6 CSA / FM certified explosion proof for CI I, Div 1 & 2; Grps A,B,C,D; CI II, Div 1 & 2, Grps E-G; CI III. (Model 31) (Wiring must be F)</p> <p>7 CSA certified General Purpose (Wiring must be A, B, or D)</p> <p>8 UL listed General Purpose</p> <p>A SAA: Ex s IIC T6 IP65; CI I Zone 1 & 2; EX S IIC T6 IP65; CI I Zone 0; DIP CI II (Intrinsically safe with entity approved barrier. Install per NEC Article 501.) (Model 31 and 33) (Wiring must be A)</p>	<p>Lead Wires 18 Gauge (.110" dia.) potted-in PVC insulated AWM / TEW stranded lead wires rated at 221°F (105°C) 600V UL / CSA listed</p> <p>A2 36" (914 mm) A3 72" (1829 mm) A4 144" (3658 mm) A_ _ _ Lengths greater than 144" (Specify length in feet (e.g. A150 = 150 ft. of leads))</p> <p>Cable 18 Gauge (.250" dia.) potted-in PVC rubber covered cable rated at 194°F (90°C) 600V UL / CSA listed</p> <p>B2 36" (914 mm) B3 72" (1829 mm) B4 144" (3658 mm) B_ _ _ Lengths greater than 144" (Specify length in feet (e.g. B150 = 150 ft. of cable))</p> <p>Quick Disconnect Male Quick Disconnect only, potted-in connector. (CSA requires a case ground) (Approval must be 7 or 8) (Model 31 only and 33) Refer to pp. 92-103 for mating cable assemblies and Aura Light Adapters.</p> <table border="1"> <thead> <tr> <th colspan="2">Mini-change®</th> <th colspan="2">Micro-change®</th> </tr> </thead> <tbody> <tr> <td>DCA</td> <td>3 - pin Mini-change® type</td> <td>DBA</td> <td>3 - pin Micro-change® type</td> </tr> <tr> <td>DCD</td> <td>4 - pin Mini-change® type</td> <td>DBD</td> <td>4 - pin Micro-change® type</td> </tr> <tr> <td>DCG</td> <td>5 - pin Mini-change® type</td> <td>DBG</td> <td>5 - pin Micro-change® type</td> </tr> </tbody> </table> <p>HiTemp Wire 18 gauge (.070" dia.) potted-in Teflon™ insulated leads rated at 482°F (250°C) 600V UL / CSA listed</p> <p>F2 36" (914 mm) F3 72" (1829 mm) F4 144" (3658 mm) F_ _ _ Lengths greater than 144" (Specify length in feet (e.g. F150 = 150 ft. of leads))</p>	Mini-change®		Micro-change®		DCA	3 - pin Mini-change® type	DBA	3 - pin Micro-change® type	DCD	4 - pin Mini-change® type	DBD	4 - pin Micro-change® type	DCG	5 - pin Mini-change® type	DBG	5 - pin Micro-change® type
AC		DC																																																																
Volts	Amps	Volts	Amps																																																															
120	6	24	2																																																															
240	3	48	*																																																															
480	*	125	*																																																															
		250	0.25																																																															
Models 31 and 32	Magnet	Sensing	Differential																																																															
AMP3	3/4"	1-1/4"																																																																
AMS4	1"	1-1/2"																																																																
AMC5	2-5/8"	3-1/2"																																																																
AMF6	1-5/8"	4-1/4"																																																																
Mini-change®		Micro-change®																																																																
DCA	3 - pin Mini-change® type	DBA	3 - pin Micro-change® type																																																															
DCD	4 - pin Mini-change® type	DBD	4 - pin Micro-change® type																																																															
DCG	5 - pin Mini-change® type	DBG	5 - pin Micro-change® type																																																															
Model	Contact Form	Sensing Range	Outlet Position	Enclosure Material	Approvals	Wiring Options																																																												
26	1	7				27																																																												



Model 35

The GO Switch Model 35 leverless limit switch has set the standard for reliable performance in valve position monitors.

With its hermetically sealed contacts, low hysteresis, and superior resistance to vibration, moisture, contaminants, abuse, and temperature extremes, the GO Switch 35 clearly out performs any other sensor on the planet.

When ordering valve position monitors and switchboxes, be sure to specify "GO Switch inside."

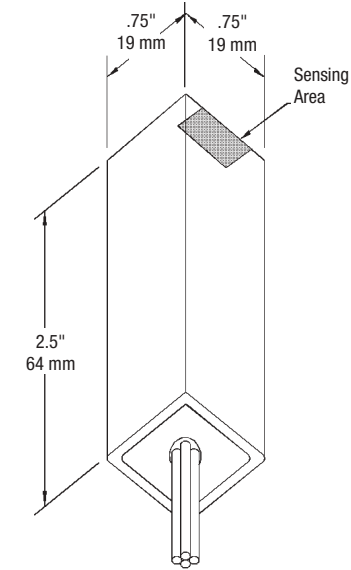


FAST TRACK DELIVERY

35-13319-A2
Hermetic Seal

Leverless Limit Switches

Dimensions



Model 35

Model	Contact Form	Sensing Range	Outlet Position	Enclosure Material	Approvals	Wiring Options																																							
<p>Repeatability: .002" (.05 mm)</p> <p>Response Time: 8 milliseconds</p> <p>Differential: Approx. 5/32" (4 mm)</p> <p>Operating Temperature: -40° to 221°F (-40° to 105°C)</p> <p>✓ 35 Size: 3/4" (19 mm) square x 2 1/2" (64 mm) overall</p>	<p>Contact Material: Silver cadmium oxide, gold flashed</p> <p>Forms: SPDT, Form C</p> <p>Ratings: Resistive</p> <table border="1"> <thead> <tr> <th colspan="2">AC</th> <th colspan="2">DC</th> </tr> <tr> <th>Volts</th> <th>Amps</th> <th>Volts</th> <th>Amps</th> </tr> </thead> <tbody> <tr> <td>120</td> <td>4</td> <td>24</td> <td>3</td> </tr> <tr> <td>240</td> <td>2</td> <td>48</td> <td>1</td> </tr> <tr> <td>480</td> <td>*</td> <td>125</td> <td>0.5</td> </tr> <tr> <td></td> <td></td> <td>250</td> <td>*</td> </tr> </tbody> </table> <p>Model 35</p> <p>✓ 1 Single Pole Double Throw (Form C)</p> <p>Form C - SPDT</p>	AC		DC		Volts	Amps	Volts	Amps	120	4	24	3	240	2	48	1	480	*	125	0.5			250	*	<p>Target Material: Ferrous steel</p> <p>Sensing Range: Approx. 1/10" (2.5 mm)</p> <p>Sensing Range with Target Magnet: up to 3 5/8" (92mm) (max)</p> <p>✓ 3 Approx. 1/10" (2.5 mm) end sensing</p> <p>Extended Sensing Range with External Target Magnets (See Accessories for External Target Magnets)</p> <table border="1"> <thead> <tr> <th>Magnet</th> <th>Sensing</th> <th>Differential</th> </tr> </thead> <tbody> <tr> <td>AMP3</td> <td>1-5/32"</td> <td>15/16"</td> </tr> <tr> <td>AMS4</td> <td>1-1/2"</td> <td>1-3/4"</td> </tr> <tr> <td>AMC5</td> <td>3-5/8"</td> <td>1-3/4"</td> </tr> <tr> <td>AMF6</td> <td>2-9/16"</td> <td>2-5/8"</td> </tr> </tbody> </table>	Magnet	Sensing	Differential	AMP3	1-5/32"	15/16"	AMS4	1-1/2"	1-3/4"	AMC5	3-5/8"	1-3/4"	AMF6	2-9/16"	2-5/8"	<p>✓ 3 No conduit hub</p>	<p>✓ 1 Copper - coated with flat black lacquer</p>	<p></p> <p>7 CSA certified General Purpose (Wiring must be A or B)</p> <p>8 UL listed General Purpose</p> <p>✓ 9 Hermetic seal; UL listed General Purpose</p>	<p>Lead Wires 18 Gauge (.110" dia.) potted-in PVC insulated AWM / TEW stranded lead wires rated at 221°F (105°C) 600V UL / CSA listed</p> <p>✓ A2 36" (914 mm)</p> <p>A3 72" (1829 mm)</p> <p>A4 144" (3658 mm)</p> <p>A_ _ _ Lengths greater than 144" (Specify length in feet (e.g. A150 = 150 ft. of leads))</p> <p>Cable 18 Gauge (.250" dia.) potted-in PVC rubber covered cable rated at 194°F (90°C) 600V UL / CSA listed</p> <p>B2 36" (914 mm)</p> <p>B3 72" (1829 mm)</p> <p>B4 144" (3658 mm)</p> <p>B_ _ _ Lengths greater than 144" (Specify length in feet (e.g. B150 = 150 ft. of cable))</p>
AC		DC																																											
Volts	Amps	Volts	Amps																																										
120	4	24	3																																										
240	2	48	1																																										
480	*	125	0.5																																										
		250	*																																										
Magnet	Sensing	Differential																																											
AMP3	1-5/32"	15/16"																																											
AMS4	1-1/2"	1-3/4"																																											
AMC5	3-5/8"	1-3/4"																																											
AMF6	2-9/16"	2-5/8"																																											
Model 35	Contact Form 1	Sensing Range 3	Outlet Position 3	Enclosure Material 1	Approvals	Wiring Options																																							

Ordering Guide
Fill in the boxes to create your 'ordering number.'

Need Accessories?
See pp. 92-103 for:
Range Extending Target Magnets
Mounting Brackets
Connectors and more!

Agency Approvals

Approvals	(4) CSA/FM Class 1 Div 1	(6) CSA/FM Class 1 Div 2	(7) CSA General Purpose	(8) UL General Purpose	(9) Hermetic Seal Model 35	(A) SAA Exs IIc T6 IP65
Termination Options						
A - Potted PVC Leads			X	X	X	X
B - Potted PVC Cable			X	X	X	
D - Quick Disconnect			X	X		
F - Potted HiTemp™ Leads	X	X		X		

X = Approvals Available

NEMA Ratings

NEMA CLASSES	Non-Hazardous				Hazardous	
	4	4X	6	6P	7	9
A - Potted PVC Leads	X	X				
B - Potted PVC Cable	X	X				
D - Quick Disconnect	X	X	X	X		
F - Potted HiTemp™ Leads	X	X	X	X	X	X
35 Series Hermetic seal w/ potting	X	X	X	X		

X = Designed to meet respective NEMA specifications

Wiring Diagrams (male view)

PVC & Teflon Leads - UL	
N/C	Red
N/O	Blue
COM	Black

Termination A & F

PVC & Teflon Leads - CSA	
N/C	Red
N/O	Blue
COM	Black
GND	Green

Termination A & F

PVC Cable - UL	
N/C	Red
N/O	White
COM	Black

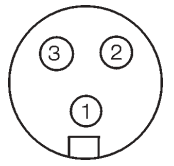
Termination B

PVC Cable - CSA	
N/C	Red
N/O	White
COM	Black
GND	Green

Termination B

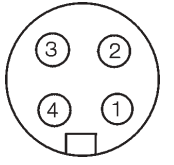
Mini-Change QDC - 3 Pin	
Pin 1	COM
Pin 2	N/C
Pin 3	N/O

Termination DCA



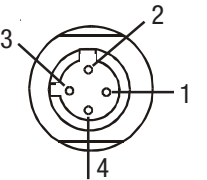
Mini-Change QDC - 4 Pin	
Pin 1	COM
Pin 2	N/O
Pin 3	N/C
Pin 4	GND

Termination DCD



Micro-Change QDC - 4 Pin	
Pin 1	COM
Pin 2	N/O
Pin 3	N/C
Pin 4	GND

Termination DBD



Micro-Change QDC - 3 Pin	
Pin 1	COM
Pin 2	N/C
Pin 3	N/O

Termination DBA

