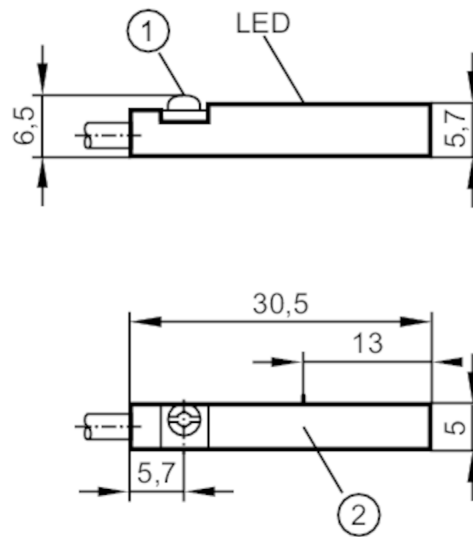




T-slot cylinder sensor with reed contact

MRT2021BAKOA/R/6,0M/ZH



- 1 Fastening clamp with combined slot / hexagon socket head
hexagonal socket AF 1.5
- 2 sensing face



Product characteristics

Electrical design	PNP/NPN
Output function	normally open
Dimensions [mm]	30.5 x 5 x 6.5

Electrical data

Operating voltage [V]	5...120 AC/DC; (UL supply class 2: 5...60 DC / 5...30 AC)
Protection class	II
Reverse polarity protection	yes

Outputs

Electrical design	PNP/NPN
Output function	normally open
Max. voltage drop switching output DC [V]	5
Max. voltage drop switching output AC [V]	5
Permanent current rating of switching output AC [mA]	100; (External protective circuit for inductive load (valve, contactor, etc.) necessary.)
Permanent current rating of switching output DC [mA]	100; (External protective circuit for inductive load (valve, contactor, etc.) necessary.)
Switching frequency AC [Hz]	1000
Switching frequency DC [Hz]	1000
Max. switching power [W]	10
Short-circuit proof	no
Overload protection	no

MR0117



T-slot cylinder sensor with reed contact

MRT2021BAKOA/R/6,0M/ZH

Monitoring range		
Magnetic sensitivity	[mT]	2.1
Travel speed	[m/s]	10
Accuracy / deviations		
Hysteresis	[mm]	1
Repeatability	[mm]	-0.2...0.2
Reaction times		
Max. fall time	[ms]	0.1
Max. make time incl. bounce	[ms]	0.6
Operating conditions		
Ambient temperature	[°C]	-25...70
Protection		IP 65; IP 67
Tests / approvals		
EMC	EN 61000-4-2 ESD	- CD / 8 kV AD
	EN 61000-4-3 HF radiated	10 V/m
	EN 61000-4-4 Burst	2 kV
	EN 61000-4-5 Surge	2 kV line to line, Ri: 2 Ohm
	EN 61000-4-6 HF conducted	10 V
	EN 55011	class B
MTTF	[years]	11303
UL approval	UL approval number	C004
Mechanical data		
Weight	[g]	69
Mounting		flush mountable
Cylinder type		T-slot cylinders
Dimensions	[mm]	30.5 x 5 x 6.5
Material		housing: PA; Fastening clamp: stainless steel
Switching cycles when connected to PLC	[Mio]	< 40
Displays / operating elements		
Display	Switching status	1 x LED, yellow
Electrical connection		
Required protection		miniature fuse to IEC60127-2 sheet 1; ≤ 0,175 A; fast acting
Accessories		
Accessories (supplied)		rubber memory stop: 1 cable clip: 1
Remarks		
Remarks		No LED function in case of polarity reversal in DC operation. UL - Class 2 source required
Pack quantity		1 pcs.

MR0117



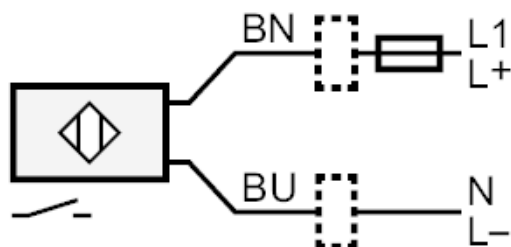
T-slot cylinder sensor with reed contact

MRT2021BAKOA/R/6,0M/ZH

Electrical connection

Cable: 6 m, PUR; 2 x 0.14 mm²

Connection



Note miniature fuse to IEC60127-2 sheet 1 ≤ 0.175 A fast acting

Core colors :

BN = brown

BU = blue