

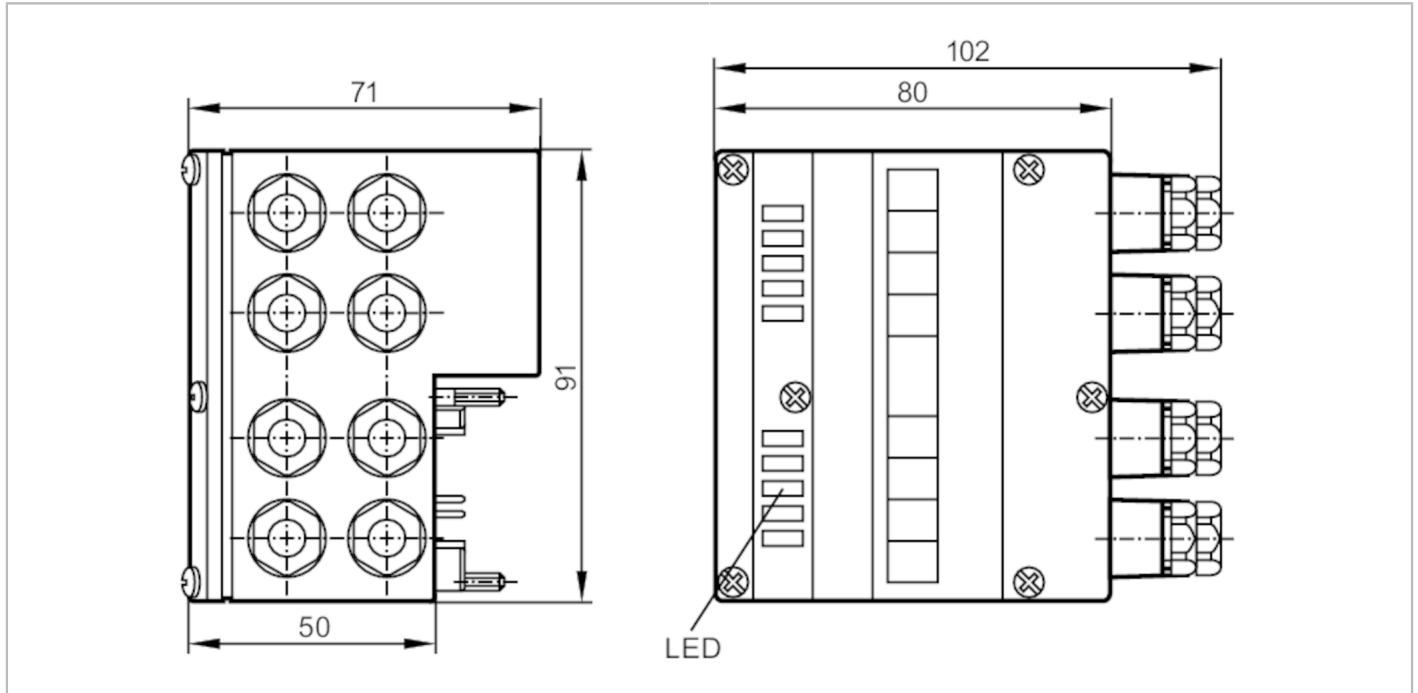
# AC1150



## AS-Interface module for frequency converter

2DI RS485 SEW CCT

Discontinued article



Application	
Application	field installation
Electrical data	
Operating voltage [V]	26.5...31.6 DC
Max. current consumption from AS-i [mA]	80
Reverse polarity protection	yes
Inputs / outputs	
Number of inputs and outputs	Number of digital inputs: 2
Inputs	
Number of digital inputs	2
Input circuit of digital inputs	PNP
Sensor supply of the inputs	AUX
Voltage supply [V]	20...30
Max. total current rating of inputs [mA]	26
Input current High [mA]	> 5
Input current low [mA]	< 1
Operating conditions	
Ambient temperature [°C]	0...55
Protection	IP 65
Tests / approvals	
EMC	EN 50295

# AC1150



## AS-Interface module for frequency converter

2DI RS485 SEW CCT

AS-i classification					
AS-i profile	S-7.F				
AS-i I/O configuration [hex]	7				
AS-i ID code [hex]	F				
AS-i certificate pending	yes				
Data bits	Data bit	D0	D1	D2	D3
	Function	motor stopped/ running	Error message	input 1	input 2
Mechanical data					
Weight [g]	286.7				
Type of mounting	AS-i interface to FC-E lower parts				
Material	PBT				
Displays / operating elements					
Display	Switching status	LED, yellow			
	Power	LED, green			
	short circuit	LED, red			
	Function	LED, red			
Remarks					
Pack quantity	1 pcs.				
Electrical connection					
contact pins to module lower part, FK-E:					