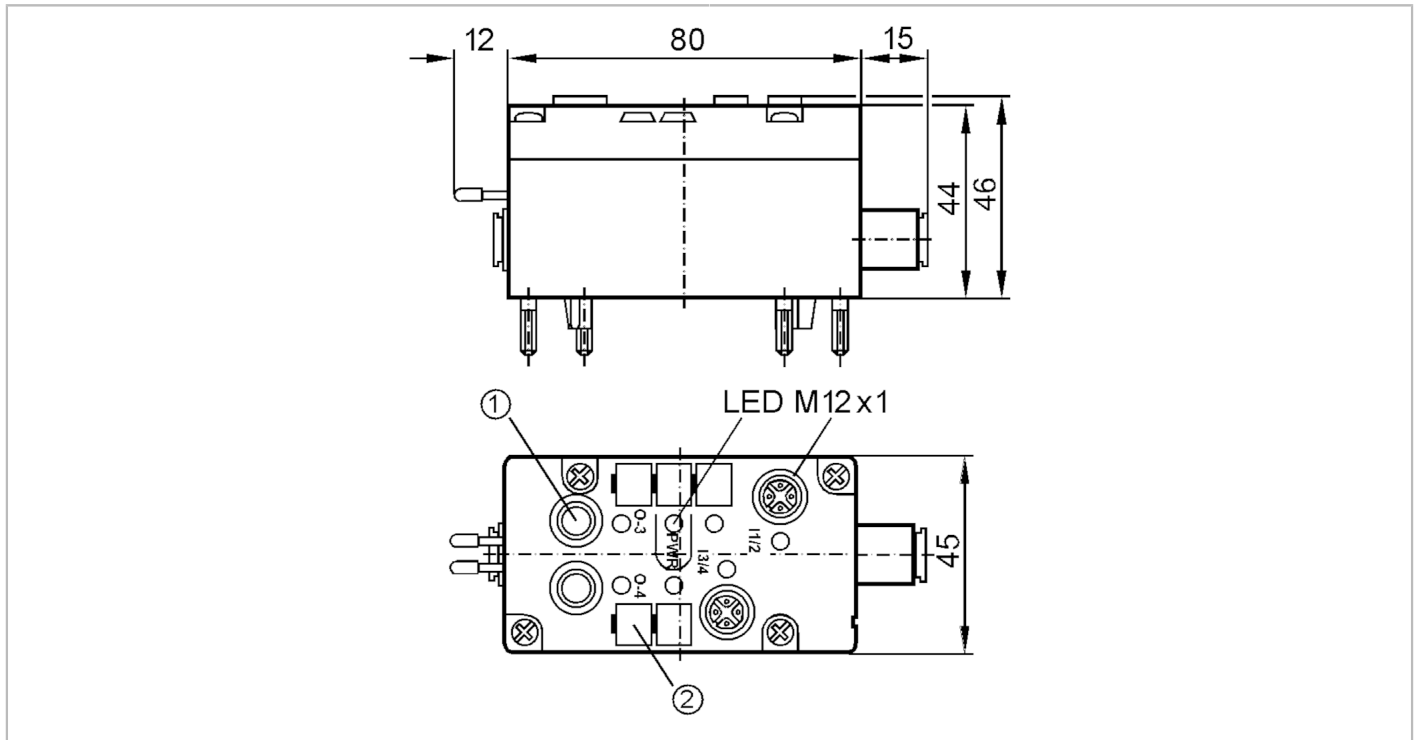


# AC2055



## AS-Interface Airbox

AirBox 2x2DI 2PO M12 V2A



Application	
Application	field installation
Electrical data	
Operating voltage [V]	26.5...31.6 DC
Max. current consumption from AS-i [mA]	170
Integrated watchdog	yes
Inputs / outputs	
Number of inputs and outputs	Number of digital inputs: 4; Number of pneumatic outputs: 2
Inputs	
Number of digital inputs	4; (2 x 2)
Input circuit of digital inputs	PNP
Sensor supply of the inputs	AS-i
Voltage supply [V]	20...30
Max. total current rating of inputs [mA]	100
Input current High [mA]	> 3
Input current low [mA]	< 1.5
Min. switching level high signal [V]	10
Digital inputs protected against short circuits	yes
Outputs	
Number of pneumatic outputs	2
Actuator supply outputs	AS-i

# AC2055



## AS-Interface Airbox

AirBox 2x2DI 2PO M12 V2A

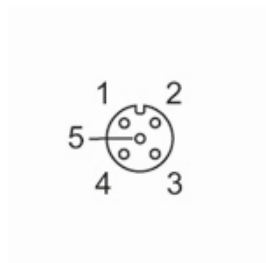
Operating conditions					
Ambient temperature	[°C]	0...55			
Note on ambient temperature		with special compressed air treatment: < 0 °C			
Protection		IP 67			
Tests / approvals					
EMC		EN 50295			
AS-i classification					
Extended addressing mode		no			
AS-i profile		S-7.F			
AS-i I/O configuration	[hex]	7			
AS-i ID code	[hex]	F			
AS-i certificate		20101			
Data bits	Data bit	D0	D1	D2	D3
	Inputs / outputs	I-1/2	I-1/2	I-3/4 / O3	I-3/4 / O4
	Pin	4	2	4	2
Mechanical data					
Weight	[g]	263.5			
Type of mounting		screw mounting			
Material		housing: PBT; metal parts: stainless steel (1.4305 / 303); sealing: FKM			
Pneumatic system		2 x 3/2-way seat valves			
Operating pressure range	[bar]	2...8			
Operating pressure range	[MPa]	0.2...0.8			
Note on working pressure range		incl. possible pressure peaks			
Air flow at 6/5 bar	[l/min]	350			
Air flow at 6/0 bar	[l/min]	550			
Permissible compressed air		filtered (5 µm); lubricated (ISO-VG10) or not lubricated			
Tube fittings		Legris LF 3000/8			
Exhaust		exhaust can be discharged through tube connection			
Displays / operating elements					
Display	Power	LED, green			
	Function	LED, yellow			
Accessories					
Accessories (optional)		Silencer:, E75232			
Remarks					
Remarks		Please see the notes on compressed air and EMC/ESD under "Downloads"			
Pack quantity		1 pcs.			
Electrical connection					
contact pins to module lower part, FK / PG:					
Connector: M12					

# AC2055



## AS-Interface Airbox

AirBox 2x2DI 2PO M12 V2A



### Inputs

1	Sensor supply L+
2	Data input I2/I4
3	Sensor supply L-
4	Data input I1/I3