

# AC2088



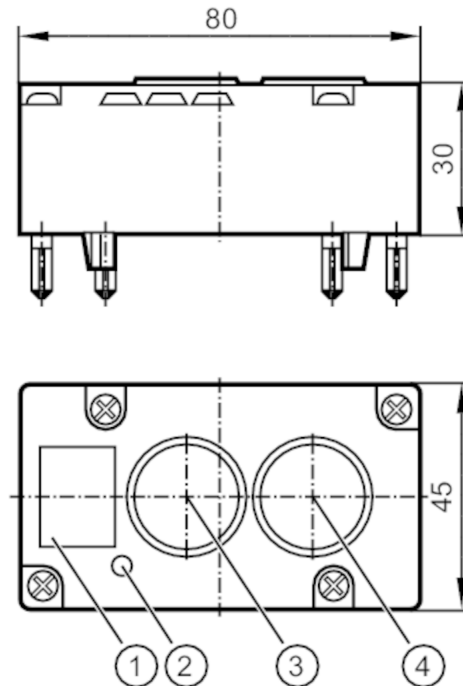
## AS-Interface illuminated pushbutton module

EMS-Module 2BI 2LO

Article no longer available - archive entry

Alternative articles: AC2398

When selecting an alternative article and accessories please note that technical data may differ!



- 1 panel for labelling
- 2 LED
- 3 pushbutton 2 normally open / green
- 4 pushbutton 1 normally closed / red



### Application

Application field installation

### Electrical data

Operating voltage	[V]	26.5...31.6 DC
Max. current consumption from AS-i	[mA]	55

### Inputs

Sensor supply of the inputs AS-i

### Operating conditions

Ambient temperature	[°C]	-25...60
Storage temperature	[°C]	-40...85
Protection		IP 67

### Tests / approvals

EMC		EN 50295
MTTF	[years]	1715



## AS-Interface illuminated pushbutton module

EMS-Module 2BI 2LO

AS-i classification					
AS-i version	2.1				
Extended addressing mode	yes				
AS-i profile	S-B.A.E				
AS-i I/O configuration [hex]	B				
AS-i ID code [hex]	A.E				
AS-i certificate	49203				
Data bits	Data bit	D0	D1	D2	D3
	LED	1	2	-	-
	pushbutton	-	-	1	2
Mechanical data					
Weight [g]	97				
Type of mounting	AS-i interface to FC and SC lower parts				
Material	PBT				
Displays / operating elements					
Display	Power		LED, green		
	errors		LED, red		
Accessories					
Accessories (optional)	Cover removal tool:, E70206				
Remarks					
Remarks	The pushbuttons (EAO type 84) provide protection against accidental contact.				
	Housing and pushbuttons can be labeled.				
Pack quantity	1 pcs.				
Electrical connection					
contact pins to module lower part, FK / PG:					