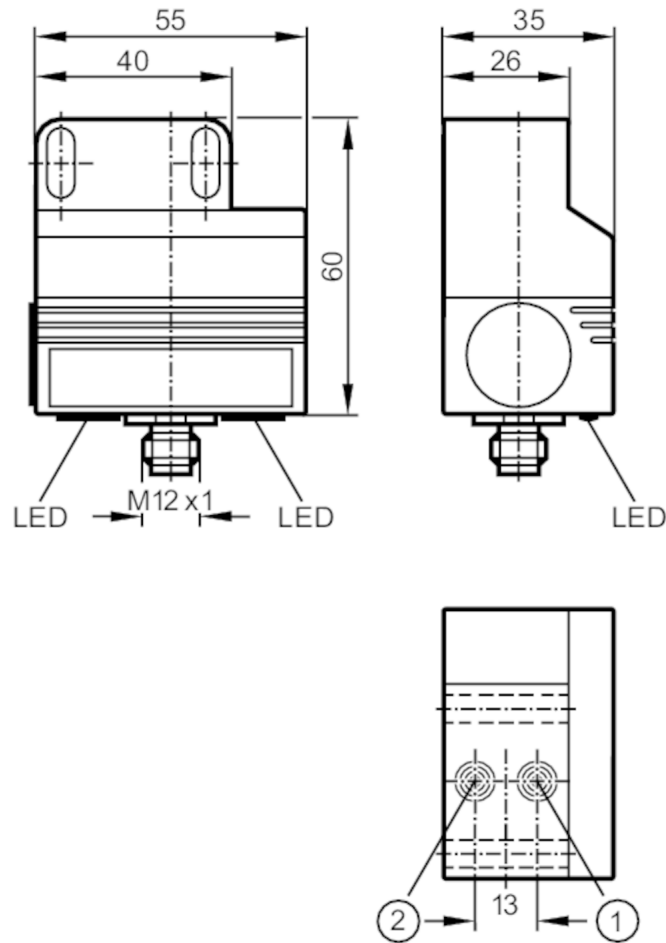


# AC2315



## AS-Interface dual sensor for pneumatic quarter-turn actuators

DUAL SENSOR T4 2SI M12



- 1 sensor 1
- 2 sensor 2



### Product characteristics

Electrical design		AS-i
Sensing range	[mm]	4
Dimensions	[mm]	55 x 60 x 35

### Electrical data

Operating voltage	[V]	26.5...31.6 DC; (cULus - Class 2 source required)
Current consumption	[mA]	< 40

### Outputs

Electrical design		AS-i
-------------------	--	------

### Monitoring range

Sensing range	[mm]	4
---------------	------	---

### Operating conditions

Ambient temperature	[°C]	-20...70
Protection		IP 67

# AC2315



## AS-Interface dual sensor for pneumatic quarter-turn actuators

DUAL SENSOR T4 2SI M12

### Tests / approvals

EMC	EN 50295	
	EN 61000-6-2	
MTTF [years]		924

### AS-i classification

AS-i version		2.1
Extended addressing mode		yes
AS-i I/O configuration [hex]		0
AS-i ID code [hex]		A.F
AS-i certificate		74901

### Mechanical data

Weight [g]		149.5
Mounting		non-flush mountable
Dimensions [mm]		55 x 60 x 35
Material		PBT

### Displays / operating elements

Display	Switching status	2 x LED, yellow
---------	------------------	-----------------

### Accessories

Items supplied	reinforcement bracket
	socket head screws: 2 x M5 x 35
	washers: 2

### Remarks

Pack quantity	1 pcs.
---------------	--------

### Electrical connection

#### Electrical connection - plug

Connector: 1 x M12; Locking: stainless steel (1.4305 / 303)



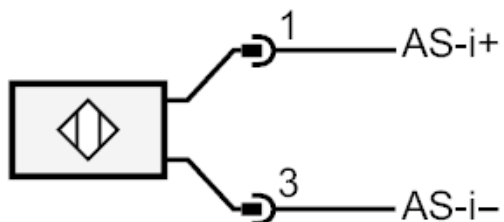
# AC2315



## AS-Interface dual sensor for pneumatic quarter-turn actuators

DUAL SENSOR T4 2SI M12

### Connection



### Electrical connection

1	AS-i +
3	AS-i -