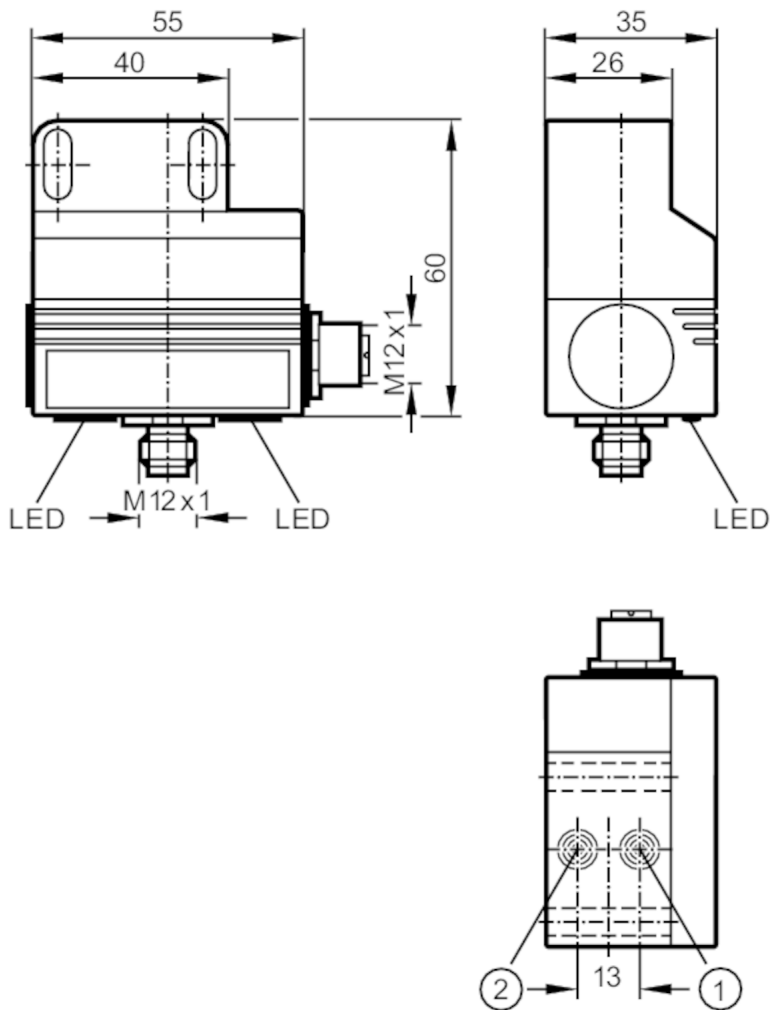


AC2316



AS-Interface dual sensor for pneumatic quarter-turn actuators

DUAL SENSOR T5 2SI 1DO T M12



- 1 sensor 1
- 2 sensor 2



Product characteristics	
Electrical design	AS-i
Sensing range [mm]	4
Dimensions [mm]	55 x 60 x 35
Electrical data	
Operating voltage [V]	26.5...31.6 DC; (cULus - Class 2 source required)
Current consumption [mA]	< 160
Outputs	
Electrical design	AS-i
Permanent current rating of switching output DC [mA]	100
Monitoring range	
Sensing range [mm]	4

AC2316



AS-Interface dual sensor for pneumatic quarter-turn actuators

DUAL SENSOR T5 2SI 1DO T M12

Operating conditions

Ambient temperature	[°C]	-20...70
Protection		IP 67

Tests / approvals

EMC		EN 50295	
		EN 61000-6-2	
MTTF	[years]	310	

AS-i classification

AS-i version		2.1
Extended addressing mode		yes
AS-i I/O configuration	[hex]	7
AS-i ID code	[hex]	A.E
AS-i certificate		75002

Mechanical data

Weight	[g]	179
Mounting		non-flush mountable
Dimensions	[mm]	55 x 60 x 35
Material		PBT

Displays / operating elements

Display	Switching status	2 x LED, yellow
---------	------------------	-----------------

Accessories

Items supplied	reinforcement bracket
	socket head screws: 2 x M5 x 35
	washers: 2

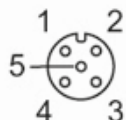
Remarks

Pack quantity	1 pcs.
---------------	--------

Electrical connection

Electrical connection - Socket

Connector: 1 x M12; Locking: stainless steel (1.4305 / 303)



Outputs

3	External voltage -
4	Switching output 1 +

Electrical connection - plug

Connector: 1 x M12; Locking: stainless steel (1.4305 / 303)

AC2316

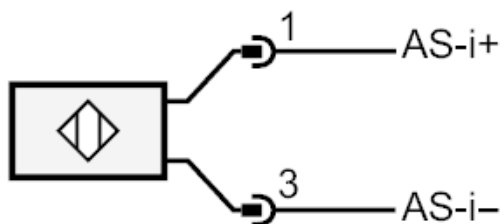


AS-Interface dual sensor for pneumatic quarter-turn actuators

DUAL SENSOR T5 2SI 1DO T M12



Connection



Electrical connection

1	AS-i +
3	AS-i -