

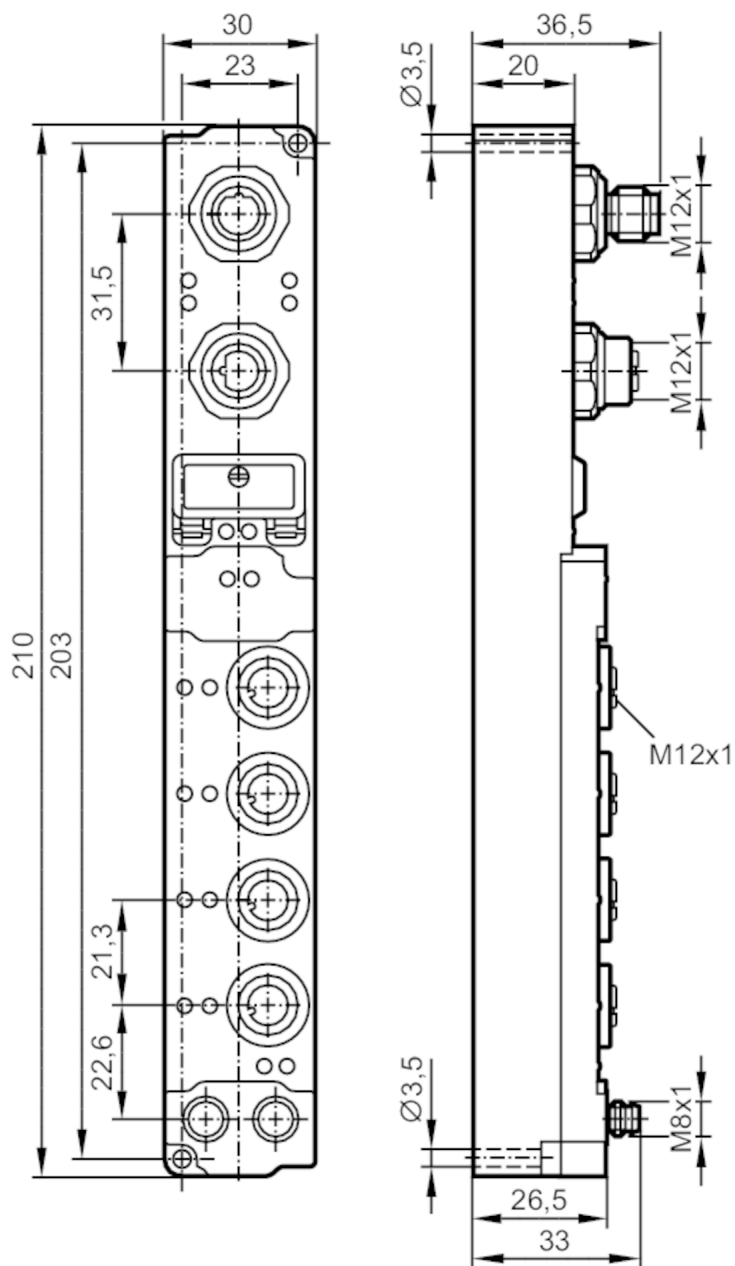
AC2631



I/O module for field applications

FieldModuleDP 2x2DI 2x2DO M12

discontinued article



Electrical data

Operating voltage	[V]	20...29 DC
Current consumption	[mA]	< 90
Electrical separation		no

Inputs / outputs

Number of inputs and outputs	Number of digital inputs: 4; Number of digital outputs: 4
------------------------------	---

AC2631



I/O module for field applications

FieldModuleDP 2x2DI 2x2DO M12

Inputs		
Number of digital inputs		4
Voltage supply	[V]	20...29
Max. total current rating of inputs	[mA]	500
Switching level high	[V]	11...30
Switching level low	[V]	-3...5
Digital inputs protected against short circuits		yes

Outputs		
Number of digital outputs		4
Voltage range DC	[V]	20...29
Max. current load per output	[mA]	2000

Interfaces		
PROFIBUS		
Transmission rate		9,6...12000 kBit/s

Operating conditions		
Ambient temperature	[°C]	0...55
Storage temperature	[°C]	-25...85
Protection		IP 67

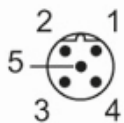
Tests / approvals		
EMC	EN 50081-2	
	EN 50082-2	
Vibration resistance	IEC 68	parts 2-6 / IEC 68, parts 2-27

Mechanical data		
Weight	[g]	296.5
Materials	housing: PA 6; potting compound: PU; contact pins: brass gold-plated	

Remarks		
Pack quantity		1 pcs.

Electrical connection - PROFIBUS IN

Connector: 1 x M12



1	not used
2	wire A
3	GND
4	wire B
5	Screen

I/O module for field applications

FieldModuleDP 2x2DI 2x2DO M12

Electrical connection - PROFIBUS OUT

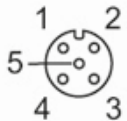
Connector: 1 x M12



1	5 V DC
2	wire A
3	GND
4	wire B
5	Screen

Electrical connection - Process connection

Connector: 4 x M12



1	24 V DC
2	In-/Output B
3	GND
4	In-/Output A
5	not used

Electrical connection - voltage supply IN

Connector: 1 x M8



1	24 V DC UB
2	24 V DC UL
3	GND
4	GND

AC2631

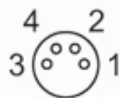


I/O module for field applications

FieldModuleDP 2x2DI 2x2DO M12

Electrical connection - voltage supply OUT

Connector: 1 x M8



1	24 V DC UB
2	24 V DC UL
3	GND
4	GND