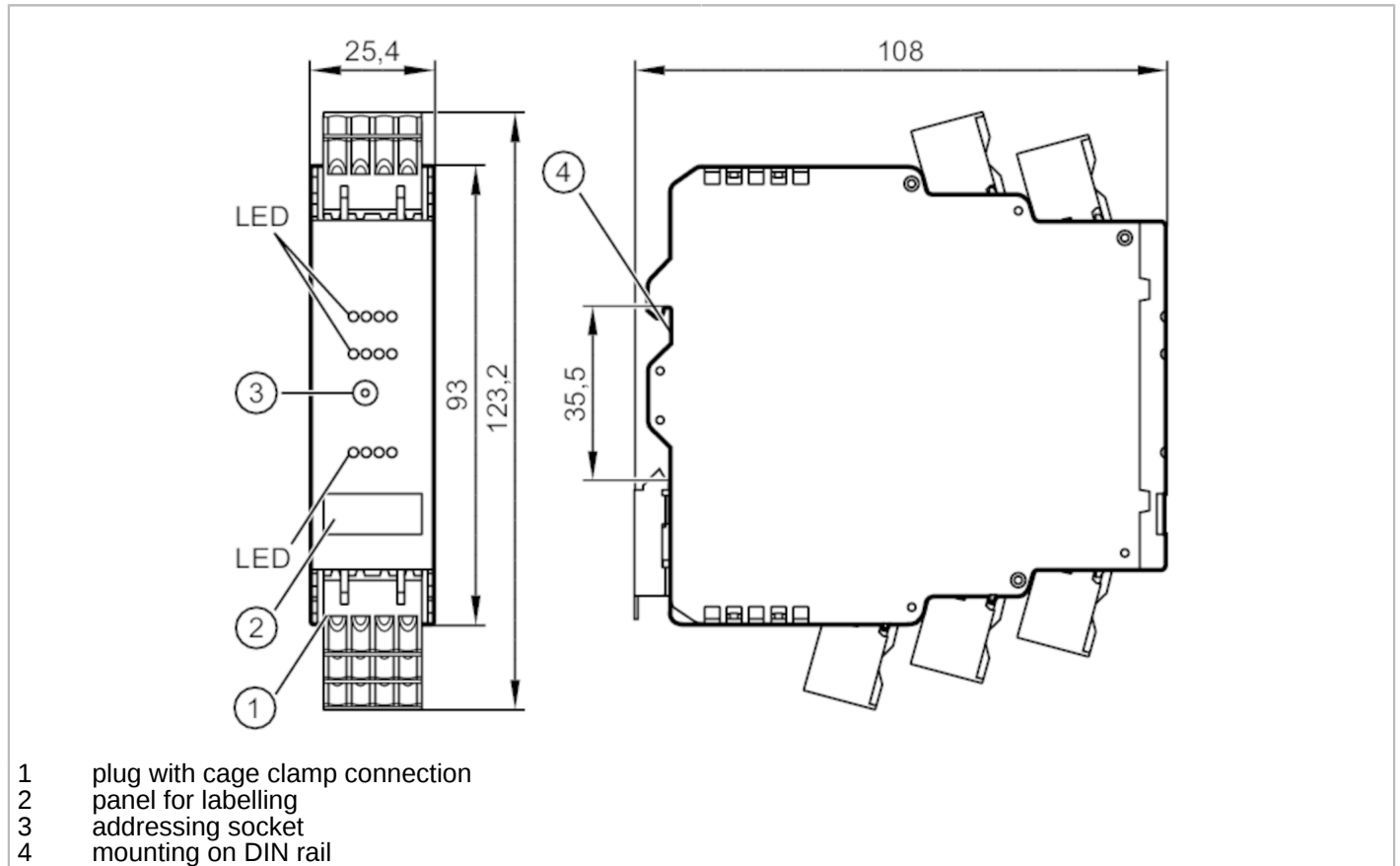


AC3220



AS-Interface control cabinet module

SmartL25 4DI 4DO R C



Application	
Design	only for operation with AS-i masters with the profile M4
Application	Installation in control cabinets
Electrical data	
Operating voltage [V]	26.5...31.6 DC
Max. current consumption from AS-i [mA]	300
Integrated watchdog	yes
Inputs / outputs	
Number of inputs and outputs	Number of digital inputs: 4; Number of relay outputs: 4



AS-Interface control cabinet module

SmartL25 4DI 4DO R C

Inputs	
Number of digital inputs	4
Input circuit of digital inputs	PNP; (type 2 according to IEC 61131-2)
Sensor supply of the inputs	AS-i
Voltage supply [V]	18...30; (DC)
Max. total current rating of inputs [mA]	200
Input current High [mA]	6...10
Input current Low [mA]	0...2
Min. switching level high signal [V]	11
Digital inputs protected against short circuits	yes
Outputs	
Voltage range DC [V]	24; (AUX; The outputs O1 + O3 and O2 + O4 must be supplied in pairs with the same voltage. 2 x 24 V DC)
Voltage range AC [V]	10...240; (The outputs O1 + O3 and O2 + O4 must be supplied in pairs with the same voltage. 2 x 240 V AC)
Max. current load per output [mA]	6000; (ohmic resistance)
Max. current load outputs total [A]	6; (ohmic resistance)
Number of relay outputs	4
Short-circuit proof	no
Electrically separated	yes
Operating conditions	
Ambient temperature [°C]	-25...65
Note on ambient temperature	the derating of the current load indicated in the operating instructions is to be taken into account at the following ambient temperature: > 55 °C
Storage temperature [°C]	-25...75
Max. relative air humidity [%]	90; (non condensing)
Max. height above sea level [m]	2000
Protection	IP 20
Protection rating terminals	IP 20
Degree of soiling	2
Tests / approvals	
EMC	EN 62026-2
	EN 61000-6-2
	EN 61000-6-3
MTTF [years]	295

AC3220



AS-Interface control cabinet module

SmartL25 4DI 4DO R C

AS-i classification					
AS-i version	3.0				
AS-i addressing	addressing socket				
Extended addressing mode	yes				
AS-i profile	S-7.A.7				
AS-i I/O configuration [hex]	7				
AS-i ID code [hex]	A.7				
AS-i ID1 code [hex]	7; (fixed)				
AS-i certificate	124301				
Assignment of the data bits	data bit	D0	D1	D2	D3
	input	I-1	I-2	I-3	I-4
	Output	O-1	O-2	O-3	O-4
Mechanical data					
Weight [g]	233.5				
Type of mounting	mounting on DIN rail				
Materials	plastics; PC-GF20				
Displays / operating elements					
Display	switching status	LED, yellow I1...I4, O1...O4			
	operation	LED, green AS-i			
	errors	LED, red			
Accessories					
Items supplied	cage clamps				
Remarks					
Remarks	Do not connect any of the following points to an external potential: I-, I+, I1, I2, I3, I4				
Pack quantity	The connections are electrically connected with the AS-i cable. 1 pcs.				

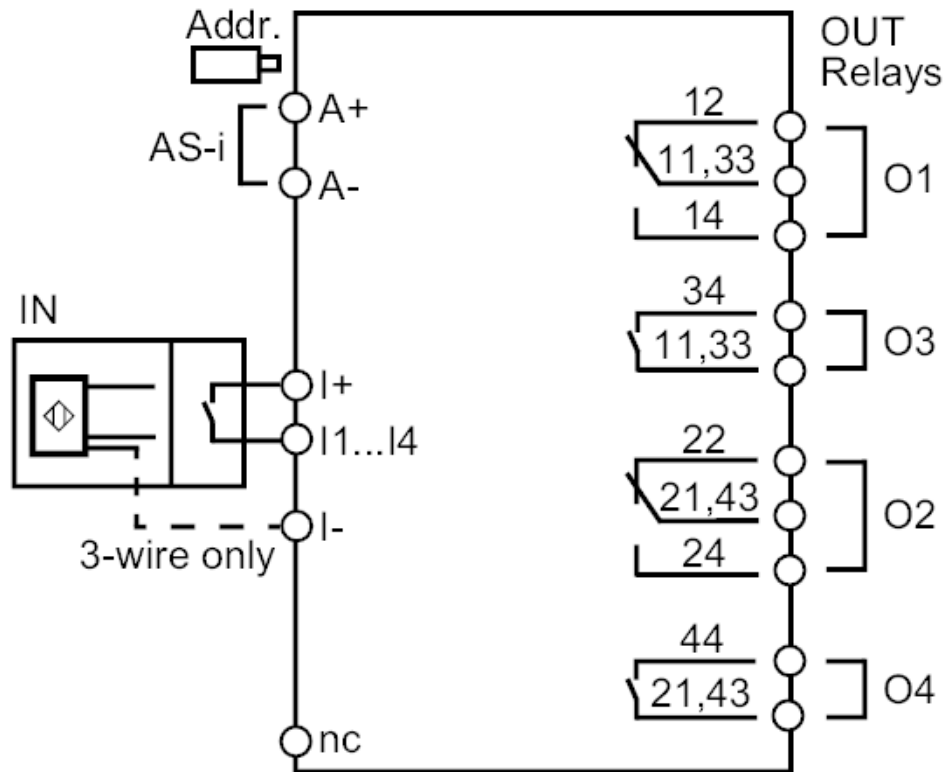
AS-Interface control cabinet module

SmartL25 4DI 4DO R C

Electrical connection

pin headers: 4 x ; Spacing: 5.0 mm

Connection



nc = not connected
O1+O3 / O2+O4 must be supplied
with the same voltage

A+	AS-i +
A-	AS-i -
I+	Sensor supply +24V
I-	Sensor supply 0V
I1...I4	switching input sensor 1...4
O1...O4	switching output relay 1...4
11	relay O1 changeover contact, common
12	relay O1 changeover contact, normally closed contact
14	relay O1 changeover contact, normally open
21	relay O2 changeover contact, common
22	relay O2 changeover contact, normally closed contact
24	relay O2 changeover contact, normally open
33, 34	relay O3 normally open
43, 44	relay O4 normally open
nc	not used