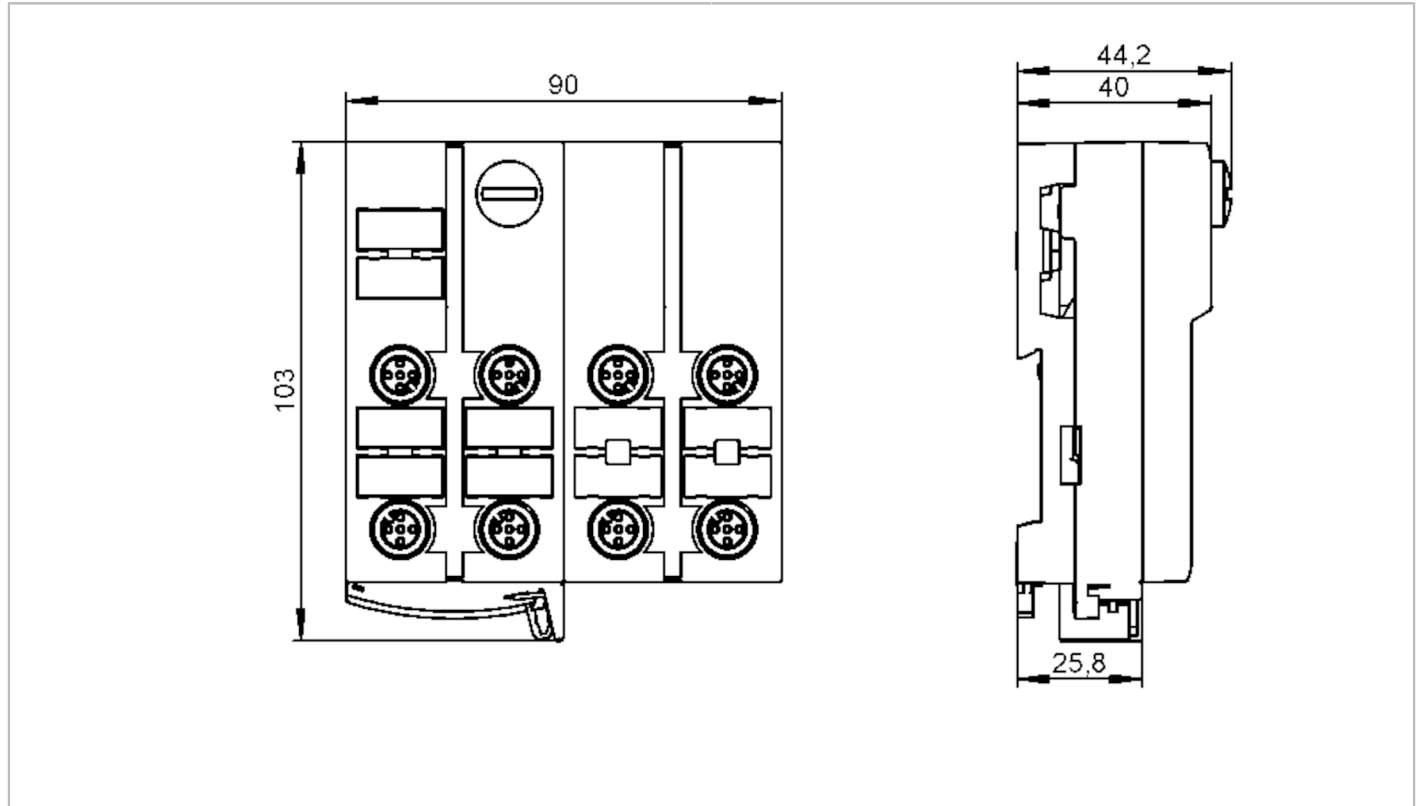


# AC5293



## AS-Interface ClassicLine module with quick mounting technology

ClassicLine 4DI-Y AUX 4DO-Y



Application	
Design	only for operation with AS-i masters with the profile M4
Application	field installation
Electrical data	
Operating voltage [V]	26.5...31.6 DC; ("supply class 2" to cULus)
Max. current consumption from AS-i [mA]	30
Max. current load total [A]	3
Integrated watchdog	yes
Inputs / outputs	
Number of inputs and outputs	Number of digital inputs: 4; Number of digital outputs: 4



## AS-Interface ClassicLine module with quick mounting technology

ClassicLine 4DI-Y AUX 4DO-Y

Inputs	
Number of digital inputs	4
Input circuit of digital inputs	PNP
Sensor supply of the inputs	AUX
Voltage supply [V]	20...30; (via flat cable)
Max. total current rating of inputs [mA]	1000
Input current High [mA]	6...10
Input current Low [mA]	0...2
Min. switching level high signal [V]	11
Electrically separated	yes
Digital inputs protected against short circuits	yes

Outputs	
Number of digital outputs	4
Circuit	PNP
Voltage range DC [V]	20...30; (to PELV; via flat cable)
Max. current load per output [mA]	1000; (utilisation category DC-13 (control of electromagnets): 20 W (IEC 60947-5-1))
Short-circuit proof	yes
Electrically separated	yes
Actuator supply outputs	AUX

Operating conditions	
Ambient temperature [°C]	-25...70
Protection	IP 67

Tests / approvals	
EMC	EN 50295
	IEC 61000-6-2

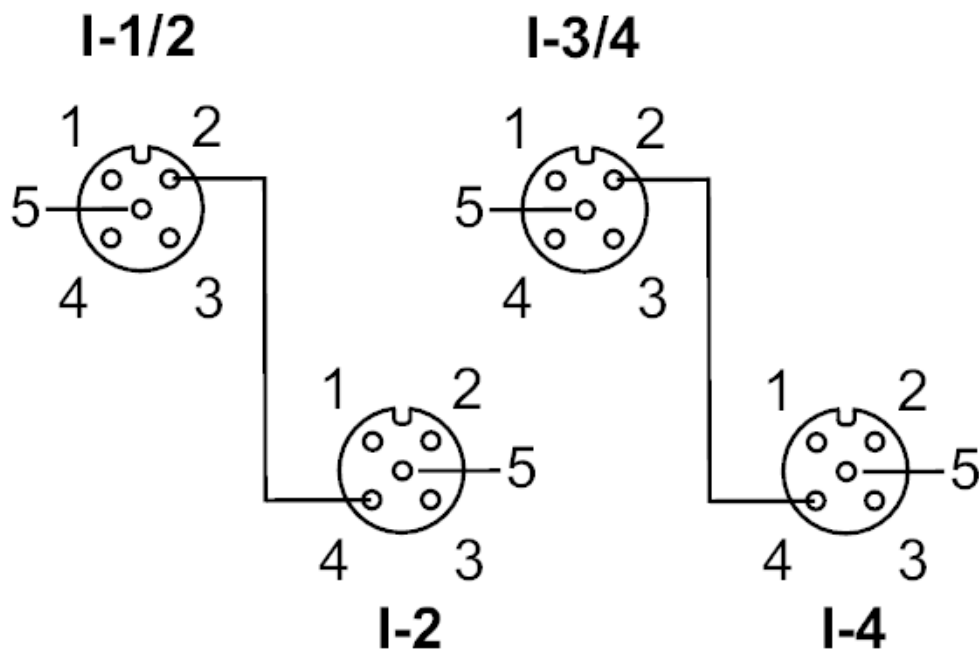
AS-i classification					
AS-i version	3.0				
AS-i addressing	addressing socket				
Extended addressing mode	yes				
AS-i profile	S-7.A.7				
AS-i I/O configuration [hex]	7				
AS-i ID code [hex]	A.7				
AS-i certificate pending	yes				
Assignment of the data bits	data bit	D0	D1	D2	D3
	input	1	2	3	4
	socket	I-1/2	I-1/2 I-2	I-3/4	I-3/4 I-4
	pin	4	2 4	4	2 4
	Output	1	2	3	4
	socket	O-1/2	O-1/2 O2	O-3/4	O-3/4 O-4
	pin	4	2 4	4	2 4



## AS-Interface ClassicLine module with quick mounting technology

ClassicLine 4DI-Y AUX 4DO-Y

Mechanical data		
Weight [g]	289	
Type of mounting	AS-i flat cables directly connectable	
Materials	PA; piercing contacts: CuSn6 nickel-plated and tin-plated	
Displays / operating elements		
Display	operation	LED, green Voltage AUX > 7 V
	errors	LED, red AUX 15 V ± 2 V
	function	LED, yellow
Electrical connection		
AS-i bus connection	Flachkabel	
Accessories		
Items supplied	lower part	
Accessories (optional)	Protective cap: M12, E73004	
Remarks		
Pack quantity	1 pcs.	
Electrical connection		
quick mounting technology for AS-i flat cable: ; three orientations possible		
Electrical connection - Inputs		
Connection		



Connector: M12



## AS-Interface ClassicLine module with quick mounting technology

ClassicLine 4DI-Y AUX 4DO-Y

	Inputs
	socket I-1/2
1	Sensor supply L+
2	data input 2
3	Sensor supply L-
4	data input 1
5	not used
	socket I-2
1	Sensor supply L+
2	not used
3	Sensor supply L-
4	data input 2
5	not used
	socket I-3/4
1	voltage supply L+
2	data input 4
3	Sensor supply L-
4	data input 3
5	not used
	socket I-4
1	Sensor supply L+
2	not used
3	Sensor supply L-
4	data input 4
5	not used

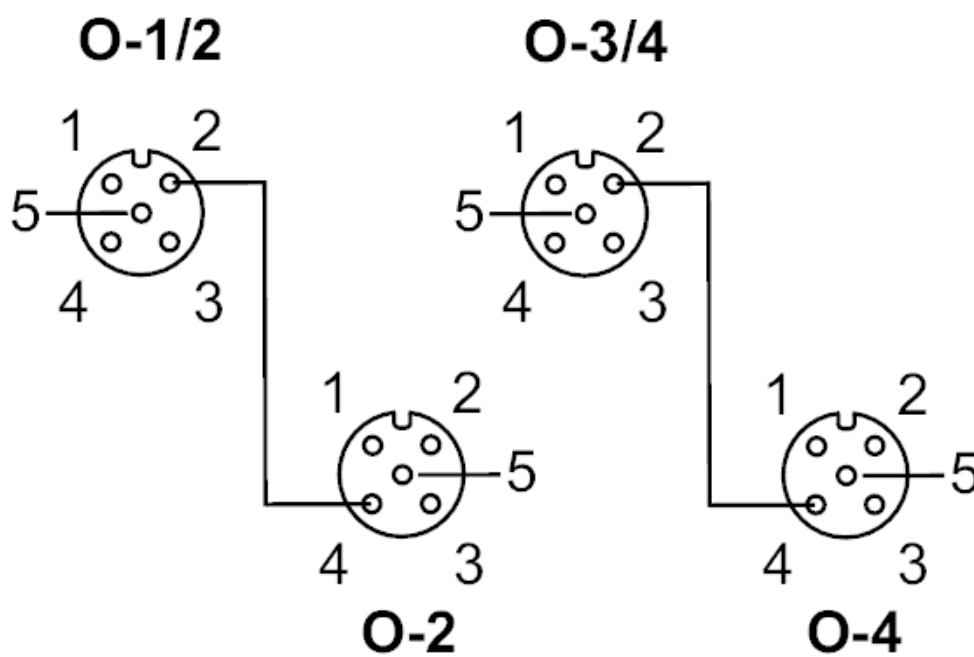


## AS-Interface ClassicLine module with quick mounting technology

ClassicLine 4DI-Y AUX 4DO-Y

### Electrical connection - Outputs

#### Connection



Connector: M12

# AC5293



## AS-Interface ClassicLine module with quick mounting technology

ClassicLine 4DI-Y AUX 4DO-Y

	Outputs
	socket O-1/2
1	not used
2	switching output 2
3	external voltage AUX -
4	switching output 1
5	not used
	socket O-2
1	not used
2	not used
3	external voltage AUX -
4	switching output 2
5	not used
	socket O-3/4
1	not used
2	switching output 4
3	external voltage AUX -
4	switching output 3
5	not used
	socket O-4
1	not used
2	not used
3	external voltage AUX -
4	switching output 4
5	not used