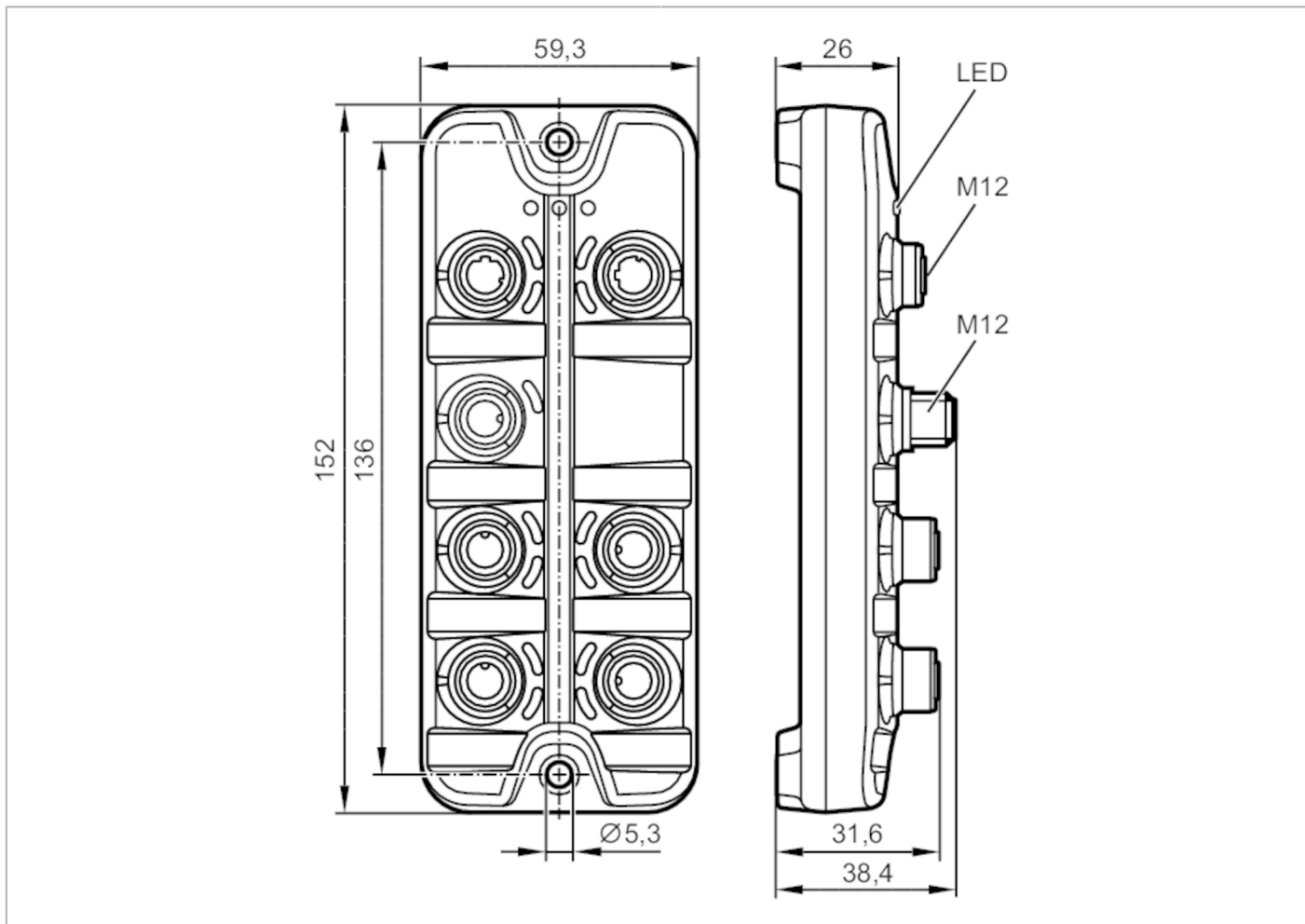


AL1101



IO-Link master with PROFINET interface

IO-Link Master SL PN 4P IP69K



Application	
Application	hygienic systems; I/O modules for field applications
Daisy-chain function	fieldbus interface
Electrical data	
Operating voltage [V]	20...30 DC; (US; to SELV/PELV)
Current consumption [mA]	300...3900; (US)
Protection class	III
Sensor supply US	
Max. current load total [A]	3.6
Inputs / outputs	
Total number of inputs and outputs	8; (configurable)
Number of inputs and outputs	Number of digital inputs: 8; Number of digital outputs: 4



IO-Link master with PROFINET interface

IO-Link Master SL PN 4P IP69K

Inputs	
Number of digital inputs	8; (IO-Link Port Class A: 4 x 2)
Switching level high [V]	11...30
Switching level low [V]	0...5
Digital inputs protected against short circuits	yes
Outputs	
Number of digital outputs	4; (IO-Link Port Class A: 4 x 1)
Max. current load per output [mA]	300
Short-circuit proof	yes
Interfaces	
Communication interface	Ethernet; IO-Link
Ethernet	
Transmission standard	10Base-T; 100Base-TX
Transmission rate	10; 100
Protocol	PROFINET
Factory settings	IP address: 0.0.0.0
	subnet mask: 0.0.0.0
	gateway IP address: 0.0.0.0
	MAC address: see type label
Note on interfaces	CC-C (Conformance Class C)
	Netload Class III
	IRT capability
	SNMP (Simple Network Management Protocol)
	MRP (Media Redundancy Protocol)
Supported network topologies: line	
ring	
IO-Link Master	
Transmission type	COM1 (4,8 kBaud); COM2 (38,4 kBaud); COM3 (230,4 kBaud)
IO-Link revision	1.1
Number of ports class A	4
Operating conditions	
Ambient temperature [°C]	-25...60
Storage temperature [°C]	-25...85
Max. relative air humidity [%]	90
Protection	IP 65; IP 66; IP 67; IP 69K; (operation with stainless steel protective caps: IP 69K)
Degree of soiling	2
Tests / approvals	
EMC	EN 61000-6-2
	EN 61000-6-4
Shock resistance	DIN EN 60068-2-27
Vibration resistance	DIN EN 60068-2-64 2009-04
	DIN EN 60068-2-6 2008-10
MTTF [years]	96

AL1101



IO-Link master with PROFINET interface

IO-Link Master SL PN 4P IP69K

Mechanical data	
Weight [g]	273.5
Materials	housing: PA grey; socket: stainless steel (1.4404 / 316L)
Sealing material	EPDM / EPDM

Accessories	
Items supplied	Protective cap: 1 x M12, stainless steel, E12542

Remarks	
Remarks	For further information please see the operating instructions.
Pack quantity	1 pcs.

Electrical connection - Ethernet

Connector: M12; Sealing: EPDM

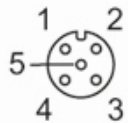


IN / OUT X21, X22

1	TX +
2	RX +
3	TX -
4	RX -
5	not used

Electrical connection - Process connection

Connector: M12; Sealing: EPDM



IO-Link Port Class A X01...X04

1	Sensor supply (US) L+
2	digital input
3	Sensor supply (US) L-
4	C/Q IO-Link
5	not used

Electrical connection - voltage supply

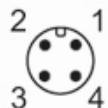
Connector: M12

AL1101



IO-Link master with PROFINET interface

IO-Link Master SL PN 4P IP69K



X31

1	+ 24 V DC (US)
2	not used
3	GND (US)
4	not used