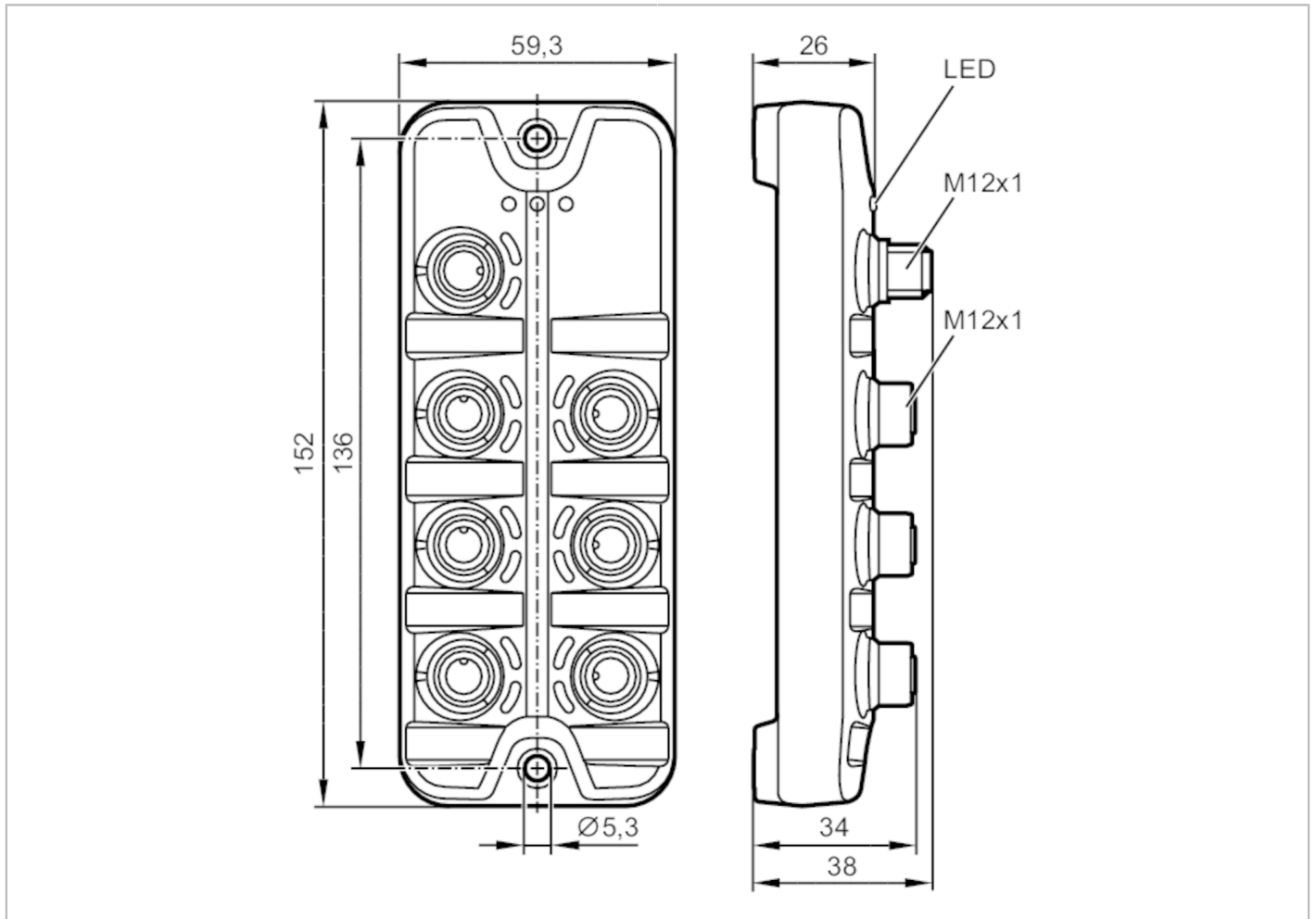


AL2340



IO-Link input module

IO-Link Module 6x2 DI M12 IP67



| Electrical data | |
|------------------------------|---|
| Operating voltage [V] | 18...30 DC |
| Current consumption [mA] | 100...700; (US) |
| Protection class | III |
| Sensor supply US | |
| Current rating per port [A] | 0.1 |
| Inputs / outputs | |
| Number of inputs and outputs | Number of digital inputs: 12 |
| Inputs | |
| Number of digital inputs | 12; (6 x 2 PNP type 2 according to IEC 61131-2) |
| Sensor supply of the inputs | IO-Link |
| Voltage supply [V] | 16...30 |

AL2340



IO-Link input module

IO-Link Module 6x2 DI M12 IP67

| Interfaces | | |
|---------------------------------|---|-----------------|
| Communication interface | IO-Link | |
| SDCI standard | IEC 61131-9 | |
| Transmission type | COM2 (38,4 kBaud) | |
| IO-Link revision | 1.1 | |
| SIO mode | no | |
| Required master port type | A | |
| Min. process cycle time [ms] | 4.3 | |
| Supported DeviceIDs | Type of operation | DeviceID |
| | Default | 995 |
| Operating conditions | | |
| Ambient temperature [°C] | -25...60 | |
| Storage temperature [°C] | -25...70 | |
| Max. relative air humidity [%] | 90 | |
| Max. height above sea level [m] | 2000 | |
| Protection | IP 65; IP 67 | |
| Degree of soiling | 2 | |
| Tests / approvals | | |
| EMC | EN 61000-6-2 | |
| | EN 61000-6-3 | |
| | IEC 61131-9 | |
| Shock resistance | DIN EN 60068-2-27 | |
| Vibration resistance | DIN EN 60068-2-64 | |
| | DIN EN 60068-2-6 | |
| MTTF [years] | 197 | |
| Mechanical data | | |
| Weight [g] | 289 | |
| Materials | housing: PA orange; socket: brass nickel-plated | |
| Sealing material | FKM | |
| Displays / operating elements | | |
| Display | operation | 1 x LED, green |
| | fault | 1 x LED, red |
| | function | 1 x LED, yellow |
| Accessories | | |
| Accessories (optional) | protective cap for M12 sockets | |
| Remarks | | |
| Pack quantity | 1 pcs. | |
| Electrical connection - IO-Link | | |
| Connector: 1 x M12 | | |

AL2340



IO-Link input module

IO-Link Module 6x2 DI M12 IP67

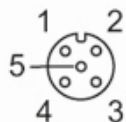


X1

| | |
|---|----------------|
| 1 | + 24 V DC (US) |
| 2 | not used |
| 3 | GND (US) |
| 4 | IO-Link |

Electrical connection - Inputs

Connector: 6 x M12; Sealing: FKM



X1.0...X1.5

| | |
|---|------------------------------|
| 1 | Sensor supply + 24 V DC (US) |
| 2 | digital input DI2 |
| 3 | Sensor supply GND (US) |
| 4 | digital input DI1 |
| 5 | not used |