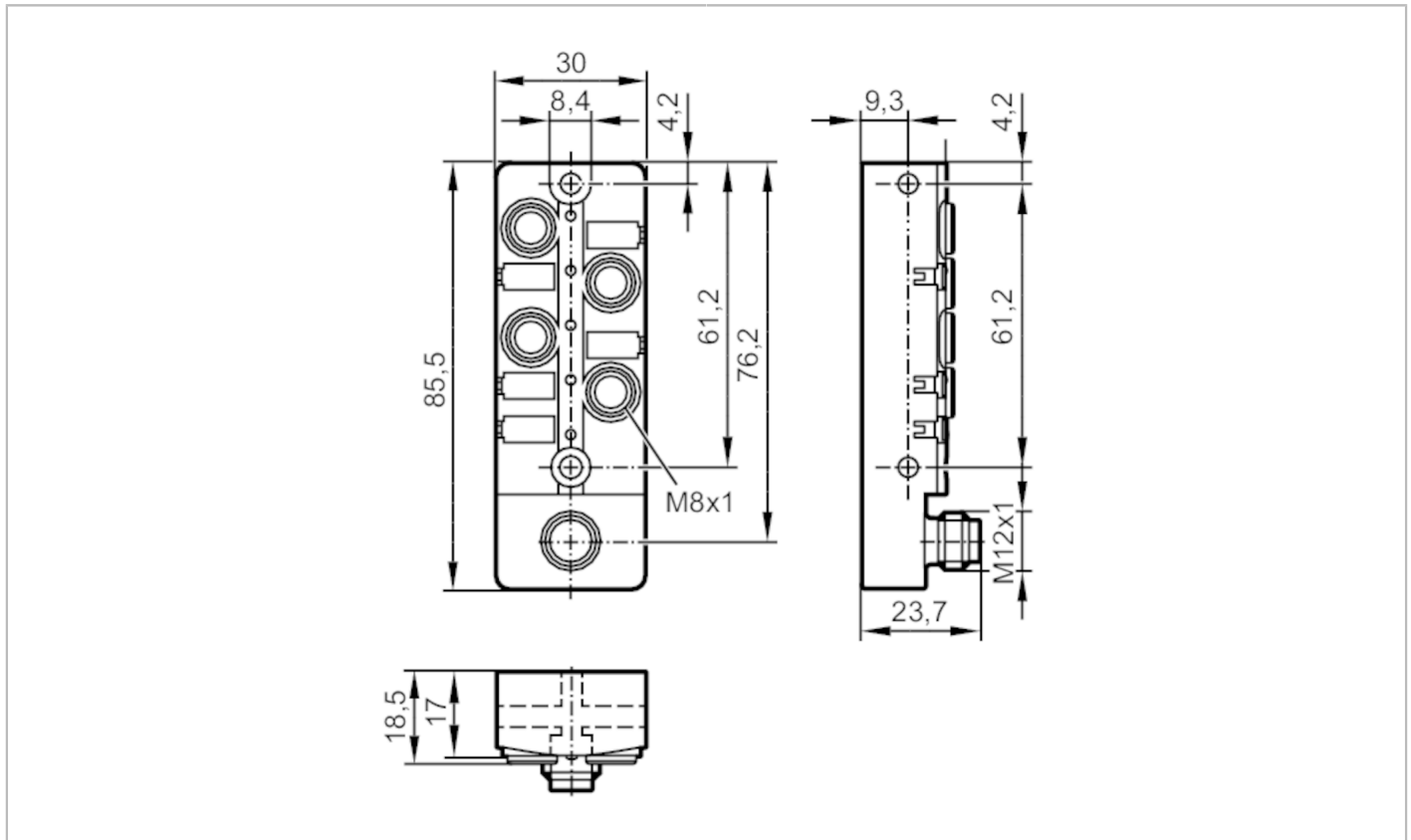


# AL2410



## IO-Link CompactLine module

IO-Link module 4 DI M8 IP 67



Electrical data	
Operating voltage [V]	18...30 DC; ("supply class 2" to cULus)
Current consumption [mA]	50
Sensor supply US	
Current rating per port [A]	0.1
Inputs / outputs	
Number of inputs and outputs	Number of digital inputs: 4
Inputs	
Number of digital inputs	4
Input circuit of digital inputs	PNP
Input current limitation [mA]	15
Input current High [mA]	6...10
Input current Low [mA]	0...2
Min. switching level high signal [V]	11
Digital inputs protected against short circuits	yes
Interfaces	
Communication interface	IO-Link
Supported DeviceIDs	Type of operation
	Default

# AL2410



## IO-Link CompactLine module

IO-Link module 4 DI M8 IP 67

IO-Link Device	
Transmission type	COM2 (38,4 kBaud)
IO-Link revision	1.1
SDCI standard	IEC 61131-9
SIO mode	no
Process data binary	32
Min. process cycle time [ms]	2.9

Operating conditions	
Ambient temperature [°C]	-25...70
Storage temperature [°C]	-25...85
Max. relative air humidity [%]	90; (non condensing)
Protection	IP 67

Tests / approvals	
EMC	EN 61000-6-2
	EN 61000-6-3
	IEC 61131-9

Mechanical data	
Weight [g]	105.5
Materials	PBT; socket: brass nickel-plated; O-ring: FKM
Sealing material	FKM

Displays / operating elements		
Display	operation	LED, green
	errors	LED, red
	function	LED, yellow

Accessories	
Items supplied	panel for labelling Protective caps: 2
Accessories (optional)	Protective cap: M8, E73005

Remarks	
Remarks	For use in NFPA 79 applications only The device is to be operated to IO-Link specification V1.1.2. The maximum cable length of the IO-Link cable is 20 m.
Pack quantity	1 pcs.

### Electrical connection - IO-Link

Connector: 1 x M12



# AL2410



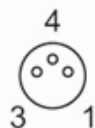
## IO-Link CompactLine module

IO-Link module 4 DI M8 IP 67

	IO-Link
1	L +
2	not used
3	L -
4	C/Q / IO-Link

### Electrical connection - Inputs

Connector: 4 x M8; Sealing: FKM



	Inputs X1.0...X1.3
1	Sensor supply +24 V
3	Sensor supply -
4	data input