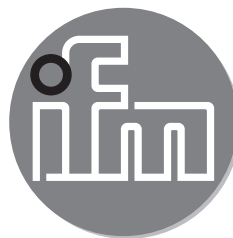


ifm electronic



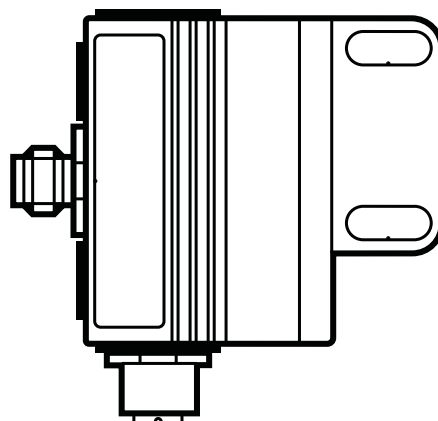
Installation instructions
Dual sensor

efector180[®]

T5

UK

701152 / 02 10 / 2007

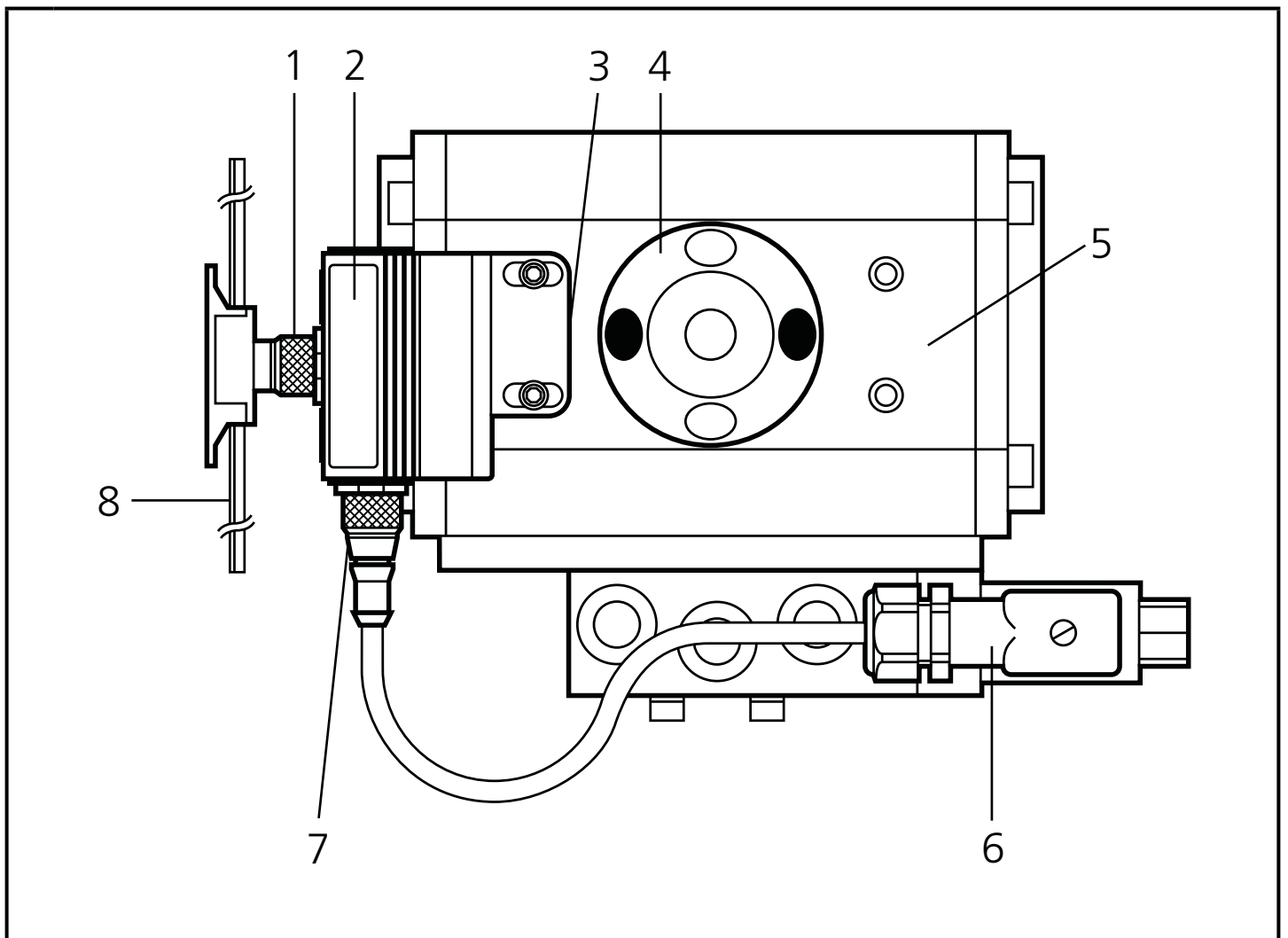


Function and features

The T5 dual sensor is a slave in the AS-i system (AS-i profile S-7.A.E). It is designed for use on pneumatic valve actuators. It energises the solenoid of the pneumatic valve and provides position feedback from the actuator.

- Sensor and actuator supply as well as data transfer to the controller via AS-i 2-wire cable.
- Watchdog function: If the connection to the master is interrupted for more than 40 ms, the output is switched off (logically 0) when the master messages fail.
- Diagnostic information via red LED (short circuit or open circuit).

Operation and display elements



- | | |
|------------------|---------------------|
| ① M12-plug | ⑤ standard actuator |
| ② T5 dual sensor | ⑥ solenoid valve |
| ③ sensor area | ⑦ M12 socket |
| ④ puck | ⑧ AS-i flat cable |

Installation

Address the T5 dual sensor with an addressing unit, address "0" is set at the factory. Fasten it to the valve fixings according to the standards (ISO 5211 VDI/VDE).

Connect the solenoid valve to the M12 socket. Only solenoid valves with a nominal voltage of 24 V and a power of up to max. 1 W may be connected.

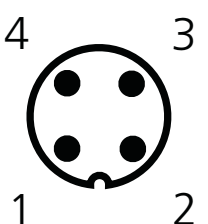
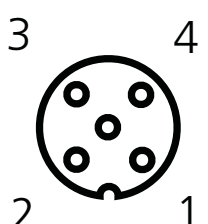
i Modification of a 5/2 valve to 3/2 or vice versa by using the supplied plates.

UK

Data bits

Data bit	Type	Designation	Description
D0	input	sensor 1	sensor position 1 damped
D1	input	sensor 2	sensor position 2 damped
D2	input	error actuator	open circuit / short circuit at the actuator
D0	output	actuator	switch output for solenoid valve

Connection

	M12 plug	Pin	M12 socket	Pin	
	AS-i +	1	switch output +	4	
	AS-i -	3	voltage -	3	

Operation

Check the safe functioning of the unit. Display by LEDs.

- Red LED is lit: short circuit or open circuit in one output.
- Yellow LED is lit: function display (input and output signals are displayed).