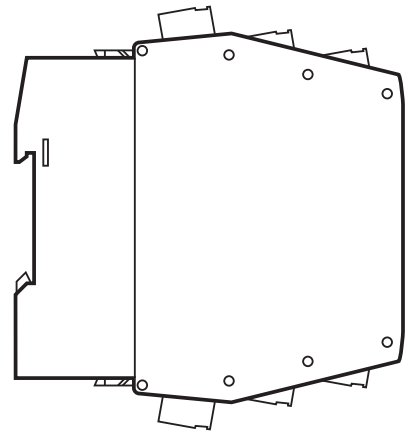


Installation instructions
AS-i module

UK

AC2256

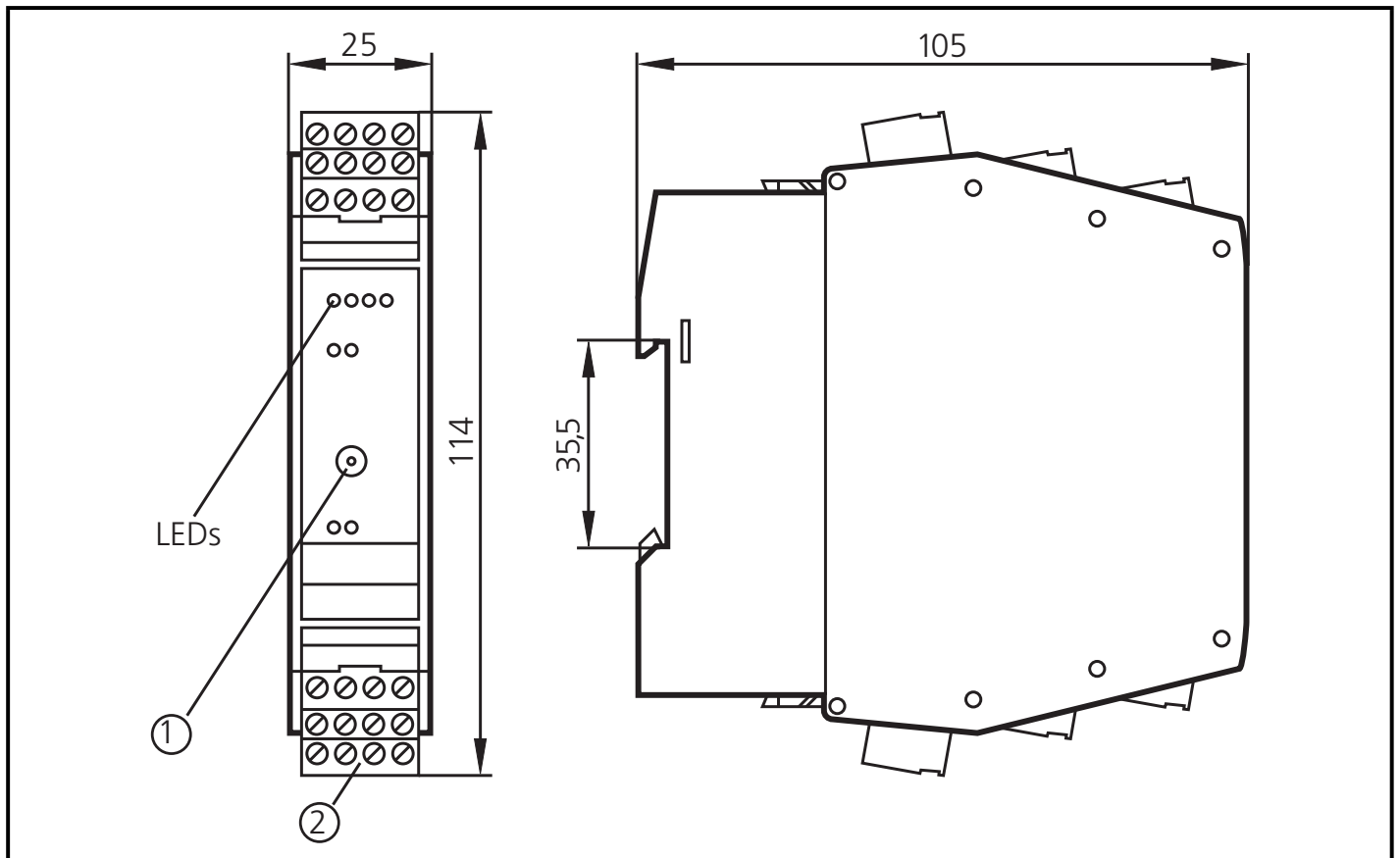
7390603/02 11/2018



Function and features

- AS-i profile: S-7.A.E
- Relay contacts rated up to a voltage of 240 V AC
- Maximum number of modules per master: 31 (62 with AS-i master 2.1)
- AS-Interface version 2.1
- Input supply from AS-i
- This module is only intended for installation in closed electrical operating areas

Operating and display elements



- 1: addressing socket
2: Combicon plug with screw terminals (optional)

Mounting

Mount the module onto a 35 mm rail or fasten it onto a mounting device.

Technical data

You can download the data sheet from the Internet if required (www.ifm.com).

Addressing

At the factory the address is set to 0.

Addressing with the addressing unit AC1154

When mounted and wired the module can be addressed by connecting the addressing cable (E70213) to the implemented addressing socket.



Do not remove the addressing plug while live.

If a slave with the ID code „A“ (extended addressing mode possible) is used with a master of the first generation (version 2.0), the parameter P3 must be 1 and the output bit D3 = 0*. The output bit D3 must not be used.

UK

If a slave with the ID code „A“ (extended addressing mode possible) is used with a master of the first generation (version 2.0), an address between 1A and 31A must be assigned to this slave.

* default setting

Electrical connection



Disconnect power!

All outputs (relays) must be supplied with the same voltage (e.g. 2 x 24 V AC or 2 x 24 V DC).

Connection	
A+:	AS-i +
A-:	AS-i -
I+:	sensor supply via AS-i +24 V
I-:	sensor supply via AS-i 0 V
I1 ... I4:	switching inputs sensors 1...4
LEDs 1:	switching status indication sensor inputs
LEDs 2:	AS-i, FAULT
LEDs 3:	switching status indication actuator outputs
ADR	addressing socket

LEDs 1 ○○○○

LEDs 2 ○○

ADR ⊙

LEDs 3 ○○

Operation

Check the safe functioning of the unit. Display by LEDs:

- LED green: voltage supply via the AS-i network o.k.
- LED yellow: input / output switched
- LED red is lit: AS-i communication error, e. g. slave address 0
- LED red flashing: peripheral fault, e.g. input overloaded