

ifm electronic



Operating instructions

**AS interface**

ClassicLine module

**AC5245**

**UK**

7390737 / 00 07 / 2008



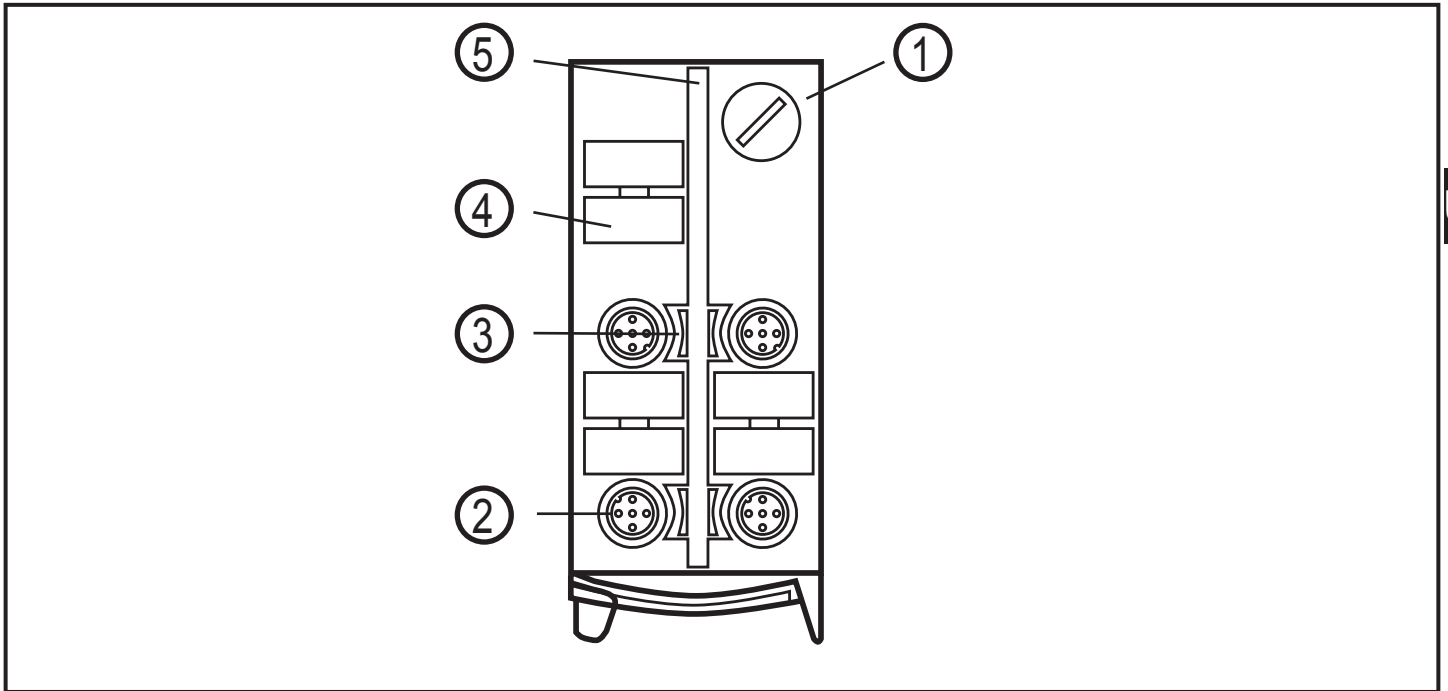
# Contents

1 Functions and features .....	3
2 Operating and display elements .....	3
3 Installation .....	4
4 Addressing .....	9
4.1 Addressing with the AC1144 addressing unit .....	9
5 Electrical connection.....	9
7 Technical data.....	10

# 1 Functions and features

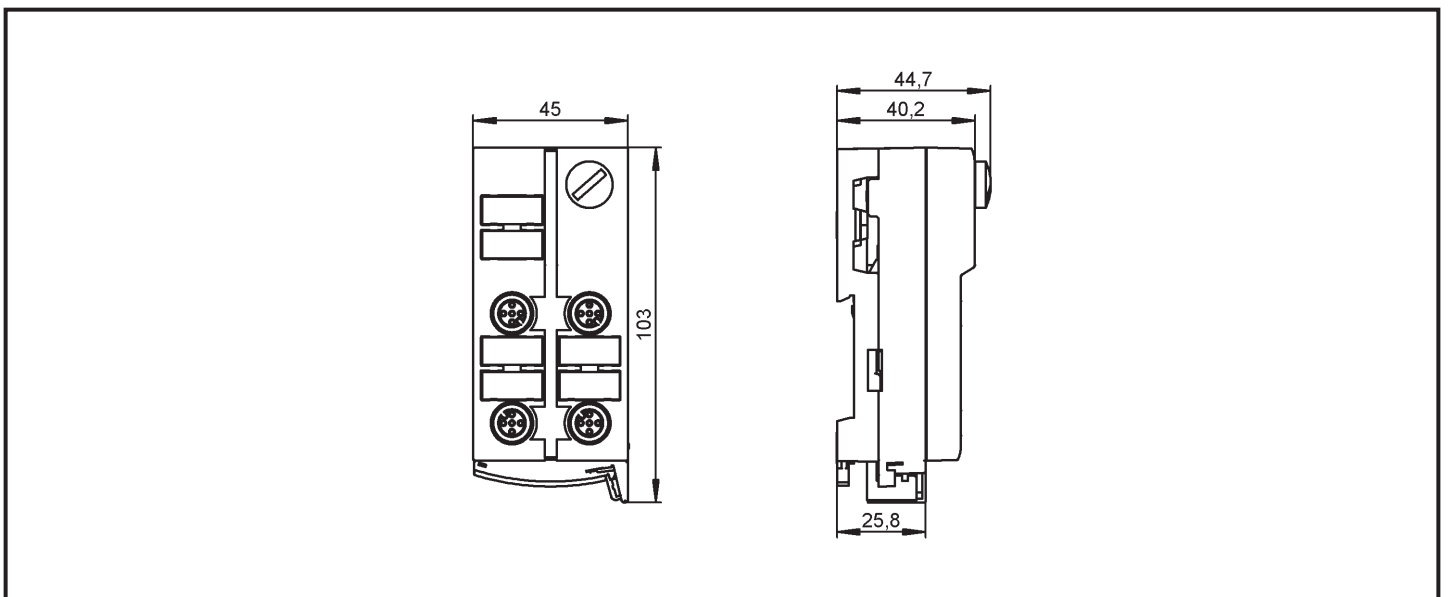
- Maximum number of modules per master: 62
- AS-interface version 3.0, downward compatible

## 2 Operating and display elements

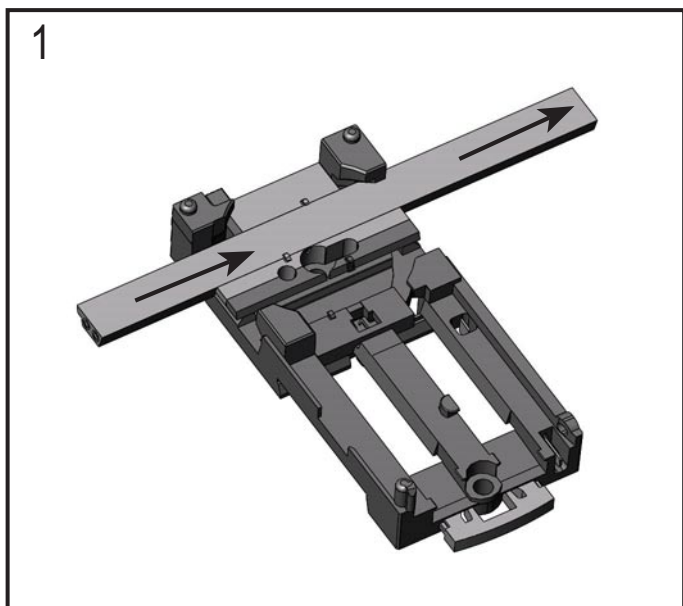


1. addressing interface
2. 4 M12 sockets
3. LED
4. labels
5. LED PWR

Scale drawing

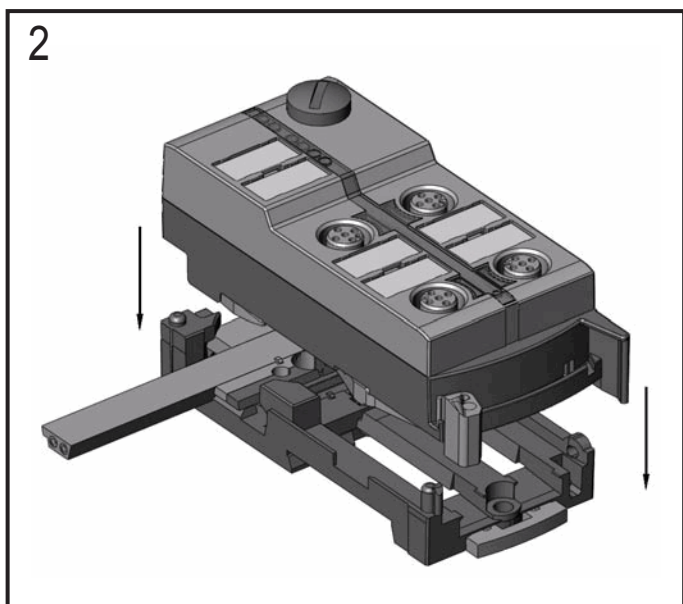


### 3 Installation



#### Alignment of the flat cable on delivery

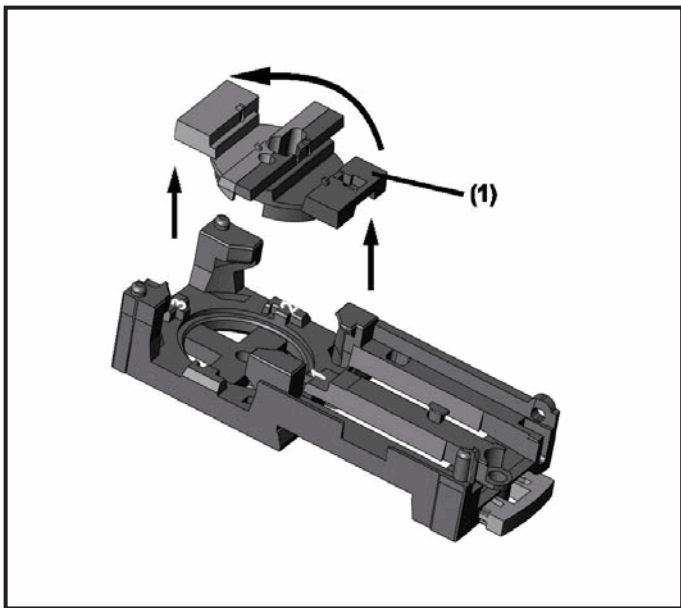
Carefully place the yellow AS-i flat cable into the profile slot.



Mount the upper part.

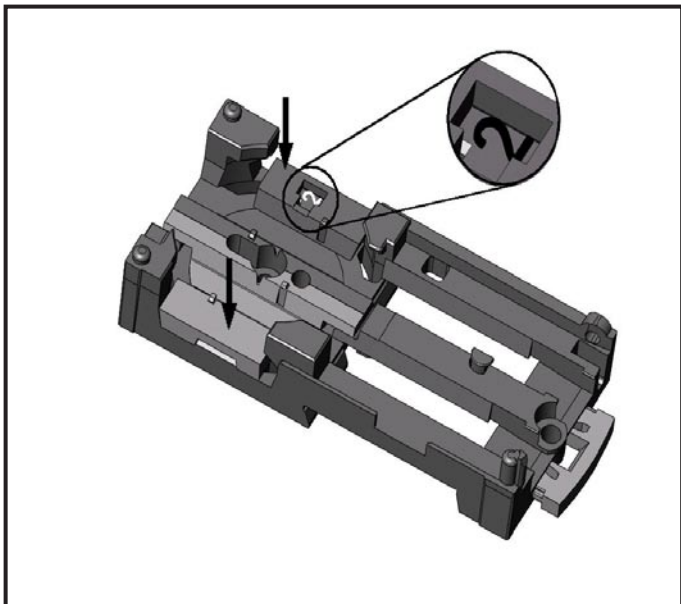


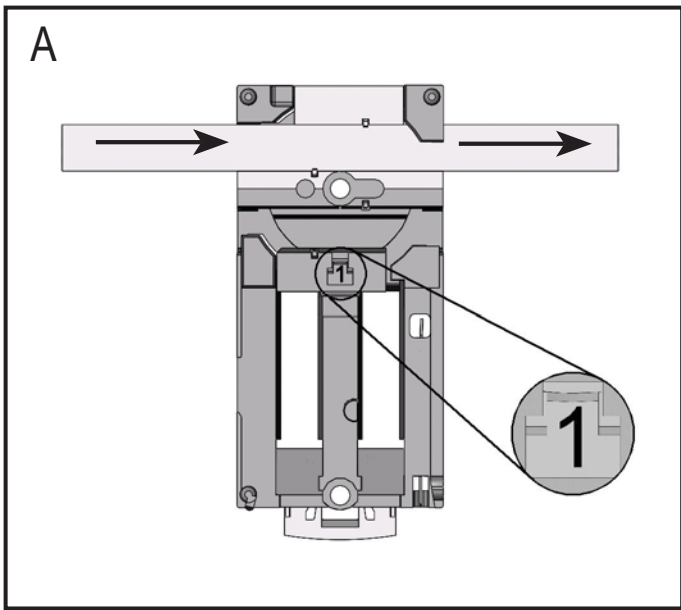
Lock the unit.



With the supplied lower part the flat cable can be aligned in three directions.

For the requested direction place the flat cable guide (1) accordingly.

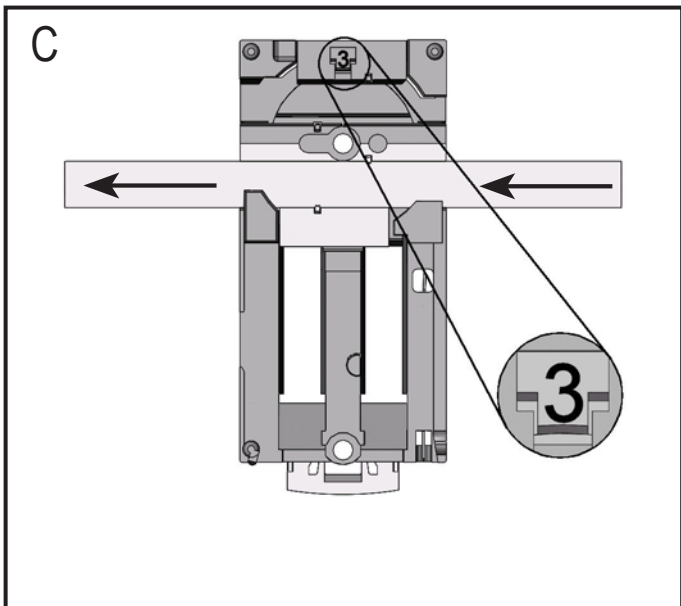
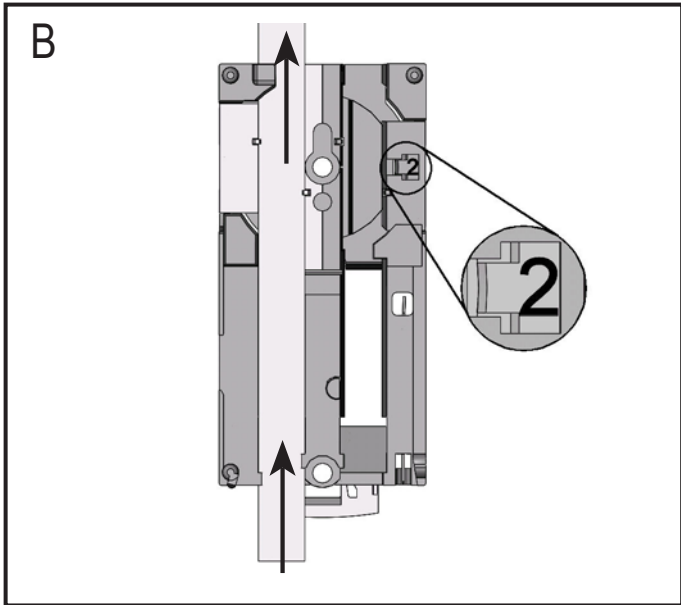


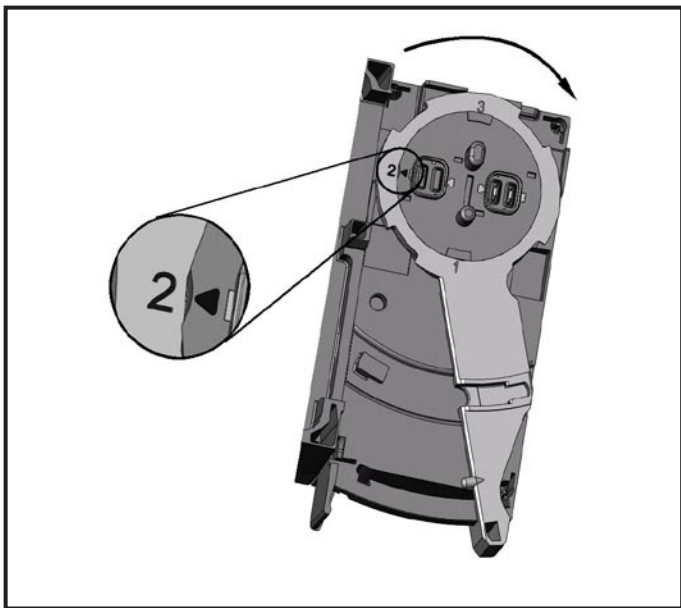


### Settings at the lower part

Select the position 1, 2 or 3 depending on the requested flat cable alignment (→).

A = factory setting

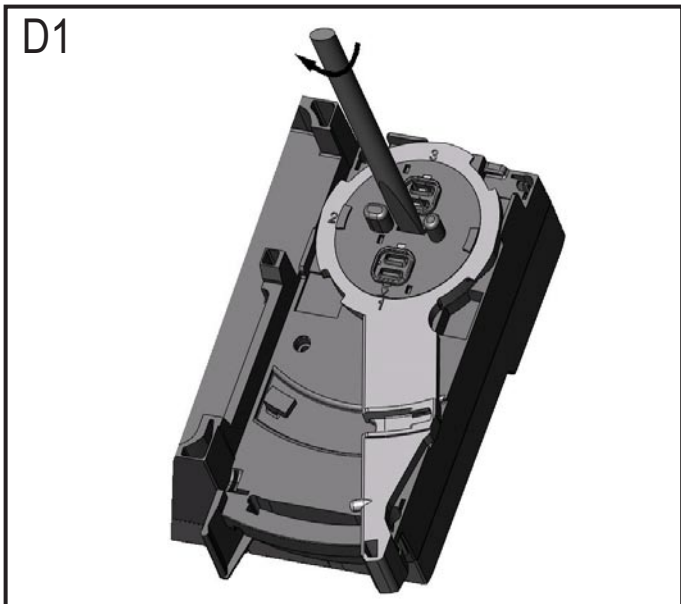




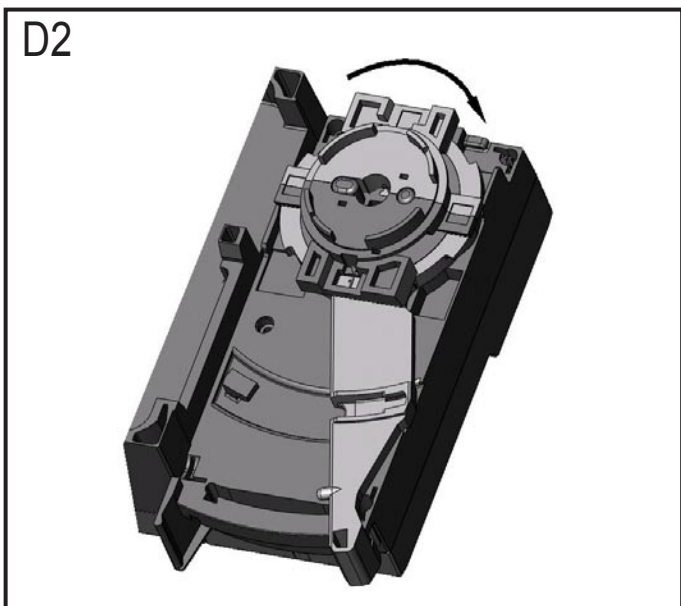
## Settings at the upper part

Then set the selected position at the upper part. To do so, turn the triangle to the corresponding number (fig. D1 and D2).

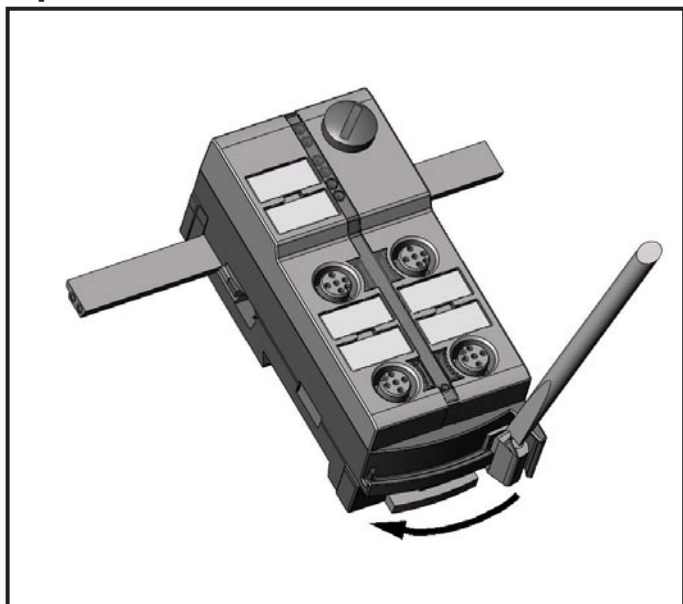
UK



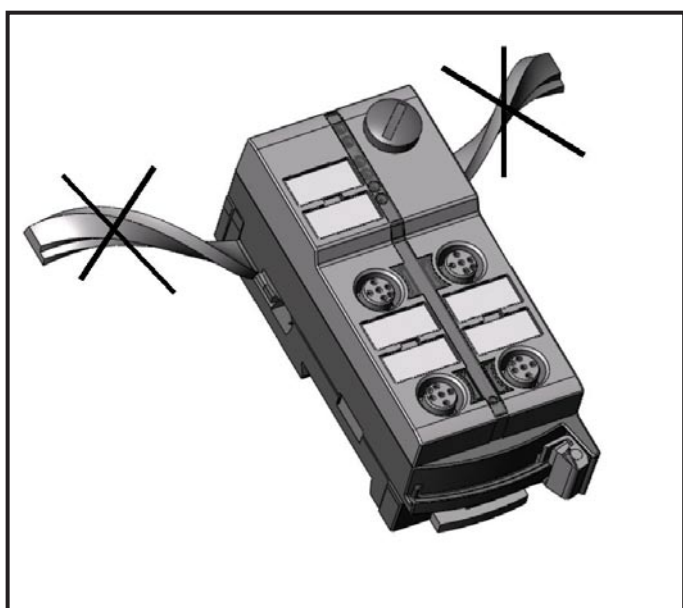
Use a tool, e.g. a screwdriver (figure D1) or the yellow / black flat cable guide (figure D2).



## Open the unit



Open the unit using a tool as shown (e.g. screwdriver).



Take care in laying the AS-i flat cable, the flat cable should be laid straight for about 15 cm.



## 4 Addressing

The address is set to 0 at the factory.

### 4.1 Addressing with the AC1144 addressing unit

When mounted and wired the module can be addressed with the addressing cable (E70213) via the integrated addressing interface.

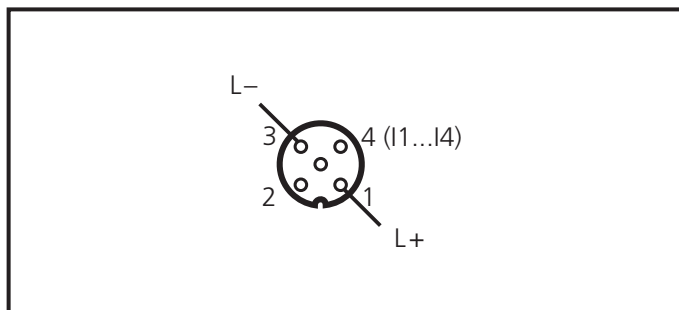
If a slave with the extended addressing mode is used in combination with a master of the first generation (version 2.0), an address between 1A and 31A must be assigned to this slave.

UK

4 inputs / AS-i profile S-0.A.E / extended addressing mode: yes

Data bit	D0	D1	D2	D3
Input	I1	I2	I3	I4
Socket	I-1	I-2	I-3	I-4

Inputs



## 5 Electrical connection

Connect the plugs of the sensors to the M12 sockets.

To guarantee protection rating IP 67

- cover the unused sockets with protective caps (E73004)\*, tightening torque 0.6...0.8 Nm.
  - the flat cable end seal (E70413)\* must be used if the module is at the end of the cable line.
- \*to be ordered separately

## 6 Operation



Avoid build-up of dirt and dust on the upper and lower parts so that the locking mechanism is not affected.

- LED yellow: input / output switched
- LED PWR green: AS-i voltage supply ok
- LED FAULT red lights: AS-i communication error, slave does not participate in the "normal" exchange of data, e.g. slave address 0
- LED FAULT red flashes: peripheral fault, e.g. sensor supply / output overloaded or shorted



Overload and short circuit of the input supply and the outputs are signaled as peripheral fault to the AS-i master (version 2.1 or higher).

## 7 Technical data

Technical data and further information at

[www.ifm.com](http://www.ifm.com) --> Select your country --> Data sheet direct