



LV-NH32

Sensor head, Spot Reflective, Adjustable beam spot



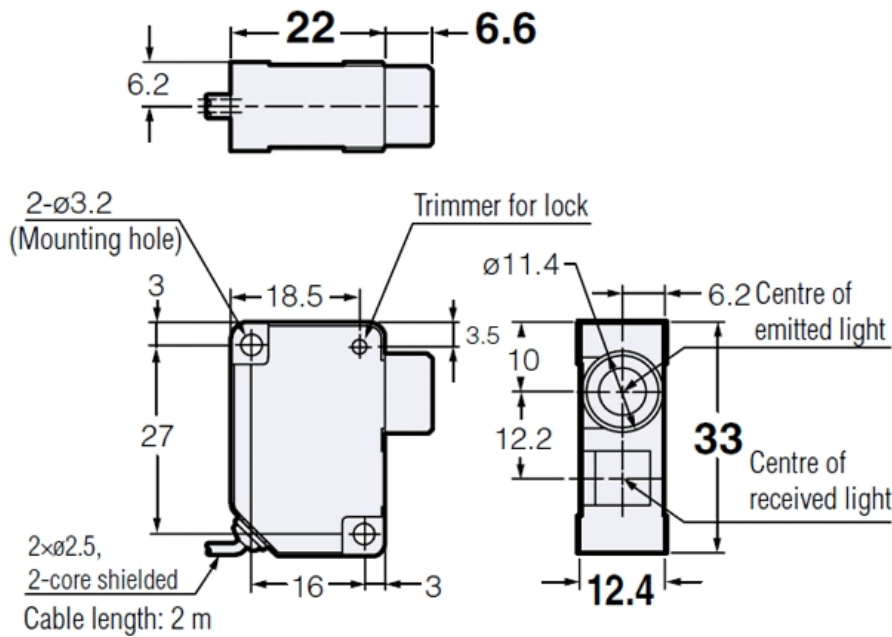
SPECIFICATIONS

Model	LV-NH32	
Type	Adjustable beam spot	
FDA (CDRH) Part 1040.10	Class 1 Laser Product	
IEC 60825-1		
Light source	Visible red semiconductor laser, Wavelength: 660 nm	
Detecting distance	MEGA	1200 mm
	ULTRA	1000 mm
	SUPER	750 mm
	TURBO	500 mm
	FINE	250 mm
	HSP	200 mm
Environmental resistance	Ambient temperature	-10 to +55 °C (No freezing)
	Relative humidity	35 to 85 % RH (No condensation)
Material	Case	Glass reinforced plastic
	Lens cover	Acrylic (Receivers: Polyarylate)
Weight	Approx. 65 g	

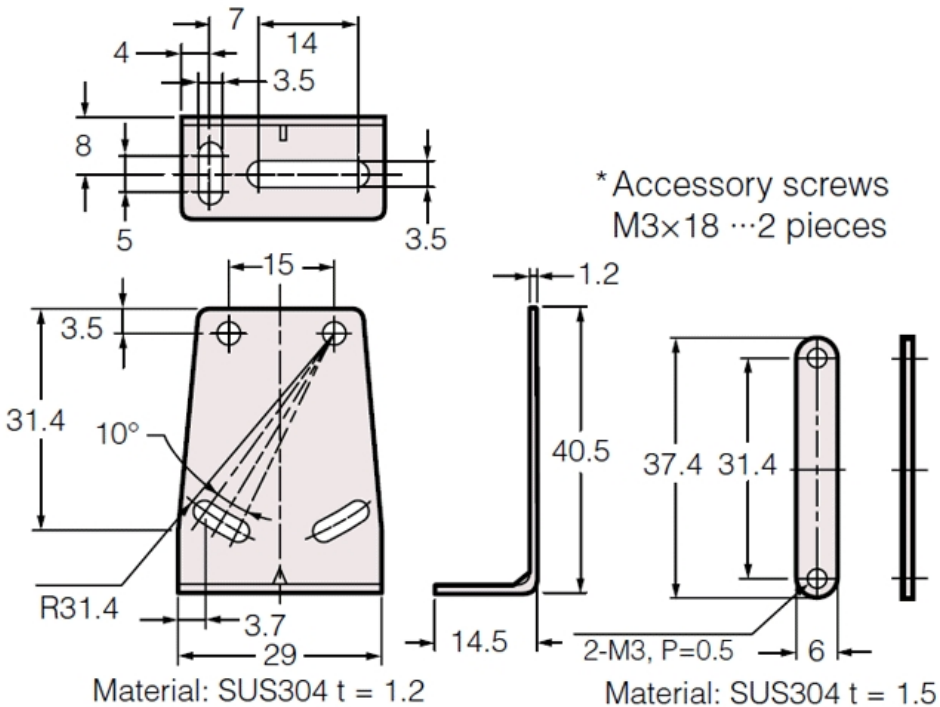
Dimensions

* Download CAD file or product manual for larger image/text and more detail.

LV-NH32



Mounting bracket for the LV-NH32 (accessory)



LV-NH32 (with bracket)

