

## LV-S71

Sensor head, Spot Thrubeam, Small standard



## SPECIFICATIONS

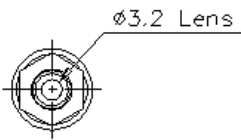
Model	LV-S71	
Type	Small standard	
FDA (CDRH) Part 1040.10	Class 1 Laser Product	
IEC 60825-1		
Light source	Visible red semiconductor laser, Wavelength: 655 nm	
Detecting distance	MEGA	500 mm
	ULTRA	
	SUPER	
	TURBO	
	FINE	
Environmental resistance	Ambient temperature	-10 to +50 °C (No freezing)
	Material	
	Case	Metal part: Stainless steel, Plastic part: Polyarylate
	Lens cover	Transmitter: Norbornene plastic Receiver: Polyarylate
Weight	Approx. 70 g	

Dimensions

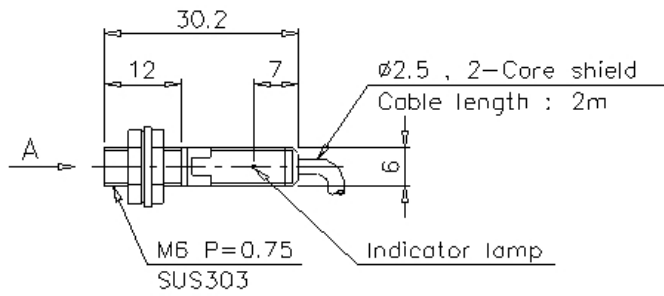
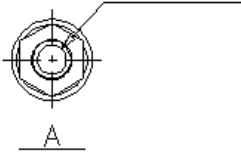
\* Download CAD file or product manual for larger image/text and more detail.

LV-S71

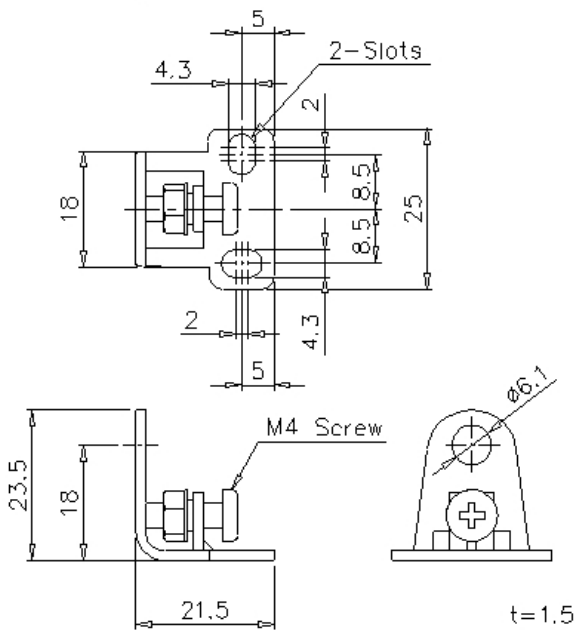
Transmitter



Receiver



Mounting bracket



When mounting bracket is attached

