



PW-51

Transmissive Main Unit

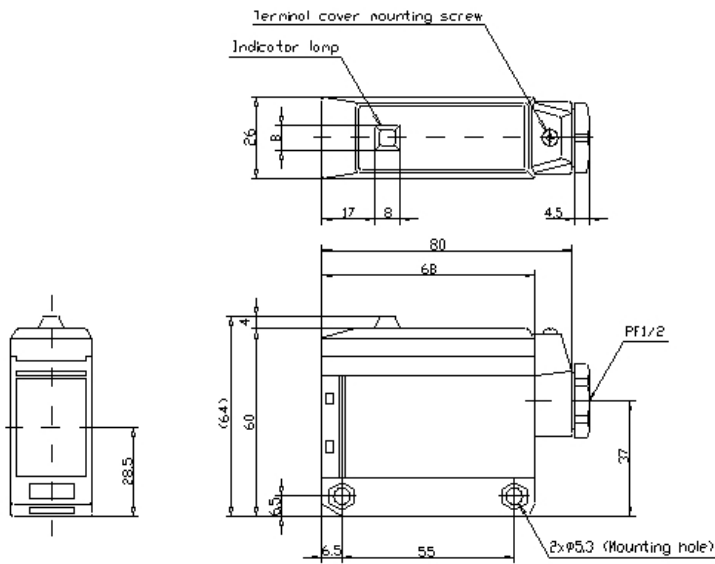
SPECIFICATIONS

Model	PW-51	
Type	Thru-beam: Standard	
Detecting distance	10 m ^{*1}	
Light source	Infrared LED	
Detectable object	Opaque materials (15 x 15 mm min.) ^{*1}	
Hysteresis	—	
Sensitivity adjustment	—	
Response time	20 ms max.	
Operation mode	LIGHT-ON/DARK-ON (switch-selectable)	
Indicator lamp	Output: Red LED, Power: Red LED (thru-beam type only)	
Timer function	—	
Control output	SPST-NO relay contact, 250 VAC 3 A max., 30 VDC 3 A max. (resistive load)	
Noise resistance	Square-wave noise by noise simulator: 1 kV p-p, 1 μs (across power terminals)	
Rating	Power voltage	24 to 240 VAC ±10 %, 50/60 Hz, 12 to 240 VDC ±10 %
	Power consumption	3 VA max. (both transmitter and receiver)
Environmental resistance	Enclosure rating	IP66
	Insulation resistance	20 MΩ min. (between each terminal and case, using insulation resistance metre of 500 VDC)
	Ambient light	Incandescent lamp: 5,000 lux max., Sunlight: 20,000 lux max.
	Ambient temperature	-10 to +60 °C (No freezing)
	Relative humidity	35 to 85 % RH (No condensation)
	Vibration resistance	10 to 55 Hz, Double amplitude 1.5 mm, 2 hours in each of the X, Y, and Z directions
	Shock resistance	100 m/s ² , 3 times in each of the X, Y, and Z directions
Material	Housing: PBT, Lens: acrylic, Terminal cover: Polysulfone	
Weight	Transmitter: Approx. 70 g, Receiver: Approx. 90 g	
^{*1} Opaque materials of 3 x 6 mm with slit plate attached (at detecting distance of 1.5 m)		

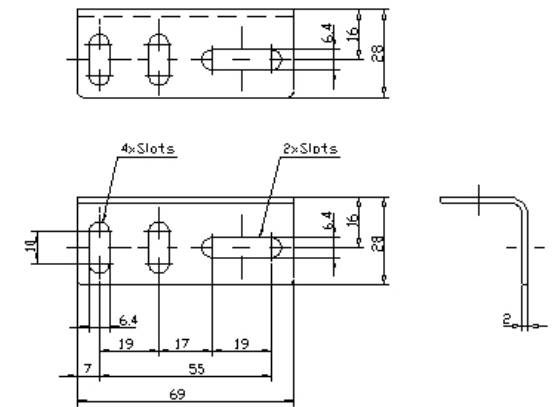
Dimensions

* Download CAD file or product manual for larger image/text and more detail.

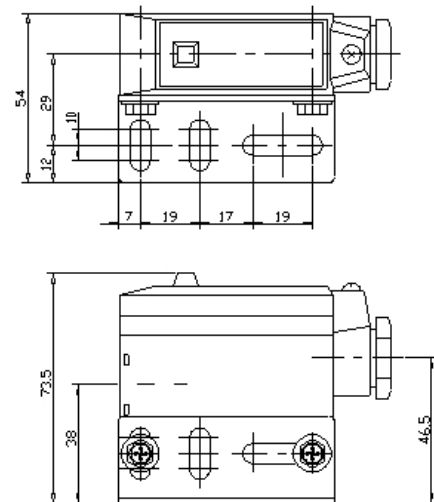
PW-51



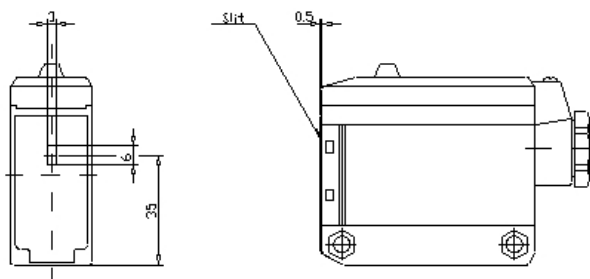
Mounting bracket



When mounting bracket is attached

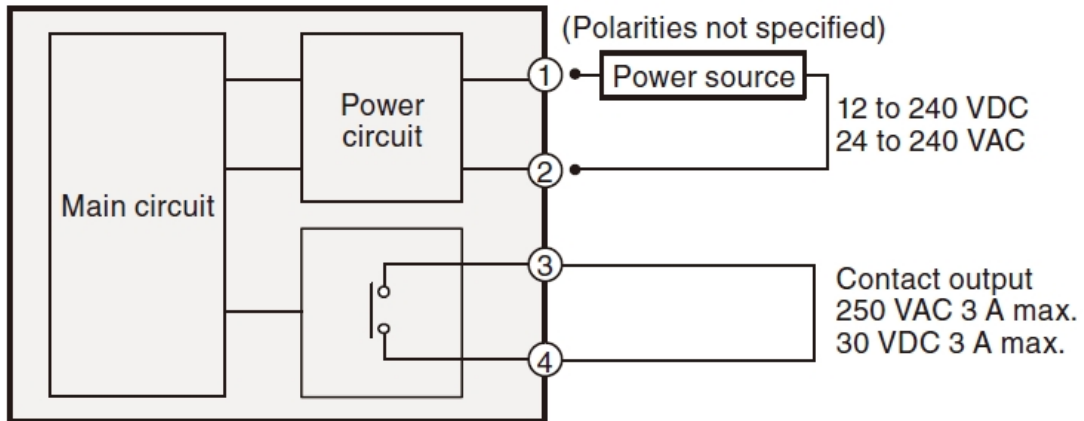


When slit plate is attached



I/O Circuit Connection diagram

* Download CAD file or product manual for larger image/text and more detail.

I/O Circuit

* The transmitter of the thru-beam type is provided with power terminals only.