

# 140ACO02000

analog output module Modicon Quantum - 4 O -  
4..20 mA, 12 bits bipolar current

Product availability : Stock - Normally stocked in distribution facility



Price\* : 3272.90 USD



## Main

Range of product	Modicon Quantum automation platform
Product or component type	Analogue output module

## Complementary

Analogue output number	4
Addressing requirement	4 output words
Loop voltage	12...30 V DC
Voltage drop	30 V 20 mA
Analogue output range	4...20 mA 0...4096 counts, 12 bits bipolar current
Absolute accuracy error	+/- 0.20 % of full scale at 77 °F (25 °C)
Linearity	+/- 1 LSB
Accuracy drift according to temperature	+/- 0.004 % of full scale/°C +/- 0.007 % of full scale/°C maximum
Isolation between channels	500 V 47...63 Hz AC 750 V for 1 minute DC
Update time	3 ms
Setting time	900 µs to +/- 0.1 % of the final value
Fault type	Open circuit 4...20 mA
Bus current requirement	480 mA
Power dissipation in W	<= 5.3 W
External power requirement	12...30 V
Marking	CE
Local signalling	4 LEDs green channel is turned on 4 LEDs red channel fault 1 LED green bus communication is present (Active) 1 LED red external fault
Module format	Standard

Product weight	0.66 lb(US) (0.3 kg)
----------------	----------------------

## Environment

Product certifications	CUL FM Class 1 Division 2
Standards	UL 508 CSA C22.2 No 142
Resistance to electromagnetic fields	9.14 V/yd (10 V/m) 80...2000 MHz conforming to IEC 801-3
Ambient air temperature for operation	32...140 °F (0...60 °C)
Ambient air temperature for storage	-40...185 °F (-40...85 °C)
Relative humidity	95 % without condensation
Operating altitude	<= 16404.2 ft (5000 m)

## Ordering and shipping details

Category	18155 - QUANTUM I/O & POWER SUPPLIES
Discount Schedule	PC21
GTIN	00785901792192
Nbr. of units in pkg.	1
Package weight(Lbs)	1.02
Returnability	Y
Country of origin	FR

## Offer Sustainability

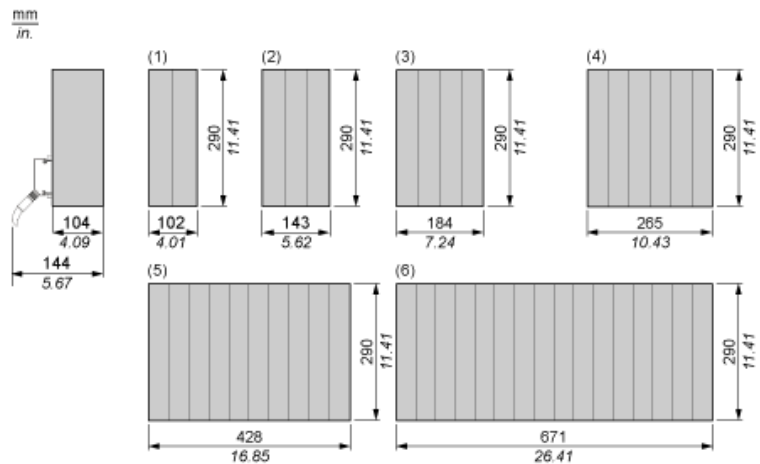
Sustainable offer status	Green Premium product
RoHS (date code: YYWW)	Compliant - since 0750 - Schneider Electric declaration of conformity <a href="#">Schneider Electric declaration of conformity</a>
REACH	Reference not containing SVHC above the threshold <a href="#">Reference not containing SVHC above the threshold</a>
Product environmental profile	Available
Product end of life instructions	Available

## Contractual warranty

Warranty period	18 months
-----------------	-----------

Racks for Modules Mounting

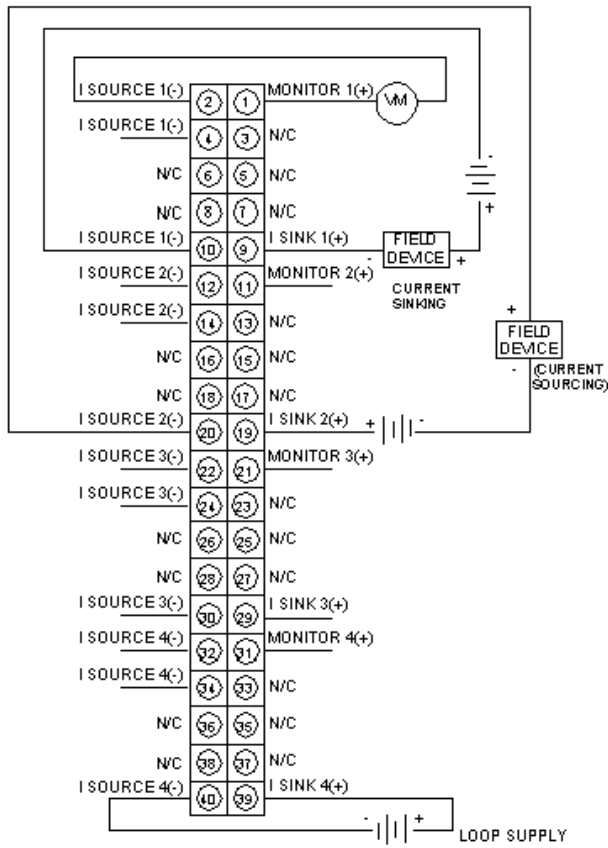
Dimensions of Modules and Racks



- (1) 2 slots
- (2) 3 slots
- (3) 4 slots
- (4) 6 slots
- (5) 10 slots
- (6) 16 slots

Analog Output 4-Channel Current Module

Wiring Diagram



N/C Not Connected