

Product availability : Stock - Normally stocked in distribution facility



## Commercial status

To be discontinued on: 31 December 2022

To be end-of-service on: 31 December 2030

⚠ To be discontinued

### Main

Range of product	Modicon Quantum automation platform
Product or component type	Analogue input module
Type of filter	Single pole low pass - 3 dB at 847 Hz +/- 20 %

### Complementary

Analogue input number	8
Input type	Differential
Addressing requirement	9 input words
Analogue input type	Bipolar current 20 mA Bipolar voltage +/- 10 V Bipolar voltage +/- 5 V Unipolar current 0...20 mA Unipolar voltage 0...10 V Unipolar voltage 0...5 V
Analogue input resolution	16 bits +/- 10 V 16 bits +/- 5 V 16 bits 0...10 V 16 bits 0...20 mA 16 bits 0...5 V 16 bits 20 mA
Linear measuring range	(input range) x 1.024 mA (input range) x 1.024 V
Absolute maximum input	50 V DC 25 mA
Input impedance	> 20 Ohm voltage 250 MOhm +/- 0.03 %
Absolute accuracy error	+/- 0.03 % +/- 0.05 % of full scale maximum
Linearity error	+/- 0.008 %
Accuracy drift according to temperature	+/- 0.0015 % of full scale/°C <= 0.004 % of full scale /°C

Disclaimer: This documentation is not intended as a substitute for and is not to be used for determining suitability or reliability of these products for specific user applications.

Common mode rejection	> - 80 dB 60 Hz
Isolation between channels and bus	500 Vrms AC 60 s 750 V DC
Isolation between channels	135 Vrms AC 200 V DC
Update time	10 ms
Fault type	Broken wire 4...20 mA Overtaking scale 1...5 V
Marking	CE
Local signalling	for bus communication is present (Active) 1 LED (green) for external fault 1 LED (red) for channel is turned on 8 LEDs (green) for channel fault 8 LEDs (red)
Bus current requirement	280 mA
Power dissipation in W	2.2 W
Module format	Standard
Net Weight	0.66 lb(US) (0.3 kg)

## Environment

Standards	UL 508 CSA C22.2 No 142
Product certifications	FM Class 1 Division 2 CUL
Resistance to electrostatic discharge	4 kV contact IEC 801-2 8 kV on air IEC 801-2
Resistance to electromagnetic fields	9.14 V/m (10 V/m) 80...1000 MHz IEC 801-3
Ambient air temperature for operation	32...140 °F (0...60 °C)
Ambient air temperature for storage	-40...185 °F (-40...85 °C)
Relative humidity	95 % without condensation
Operating altitude	<= 16404.2 ft (5000 m)

## Ordering and shipping details

Category	18155 - QUANTUM I/O & POWER SUPPLIES
Discount Schedule	PC21
GTIN	00785901792277
Nbr. of units in pkg.	1
Package weight(Lbs)	1 lb(US) (0.45 kg)
Returnability	Yes
Country of origin	FR

## Packing Units

Unit Type of Package 1	PCE
Package 1 Height	1.77 in (4.5 cm)
Package 1 width	6.50 in (16.5 cm)
Package 1 Length	12.20 in (31 cm)
Unit Type of Package 2	S03
Number of Units in Package 2	7
Package 2 Weight	7.94 lb(US) (3.6 kg)
Package 2 Height	11.81 in (30 cm)
Package 2 width	11.81 in (30 cm)
Package 2 Length	15.75 in (40 cm)

## Offer Sustainability

Sustainable offer status	Green Premium product
--------------------------	-----------------------

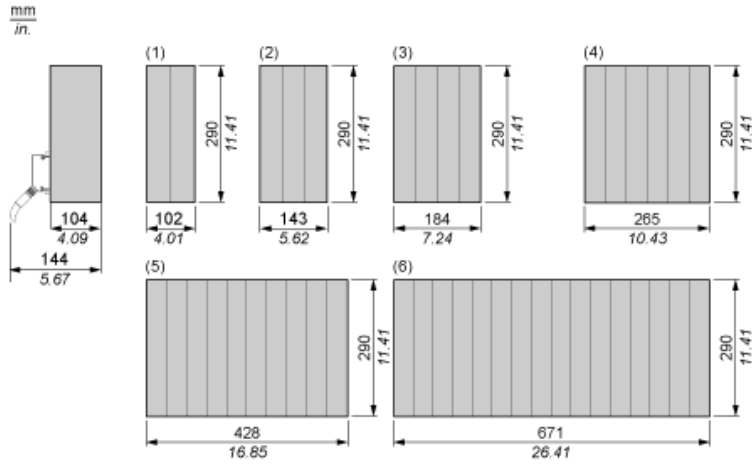
California proposition 65	WARNING: This product can expose you to chemicals including: Lead and lead compounds, which is known to the State of California to cause cancer and birth defects or other reproductive harm. For more information go to <a href="http://www.P65Warnings.ca.gov">www.P65Warnings.ca.gov</a>
REACH Regulation	<a href="#">REACH Declaration</a>
REACH free of SVHC	Yes
EU RoHS Directive	Pro-active compliance (Product out of EU RoHS legal scope) <a href="#">EU RoHS Declaration</a>
Mercury free	Yes
RoHS exemption information	<a href="#">Yes</a>
China RoHS Regulation	<a href="#">China RoHS declaration</a>
Environmental Disclosure	<a href="#">Product Environmental Profile</a>
Circularity Profile	<a href="#">End of Life Information</a>

### Contractual warranty

Warranty	18 months
----------	-----------

Racks for Modules Mounting

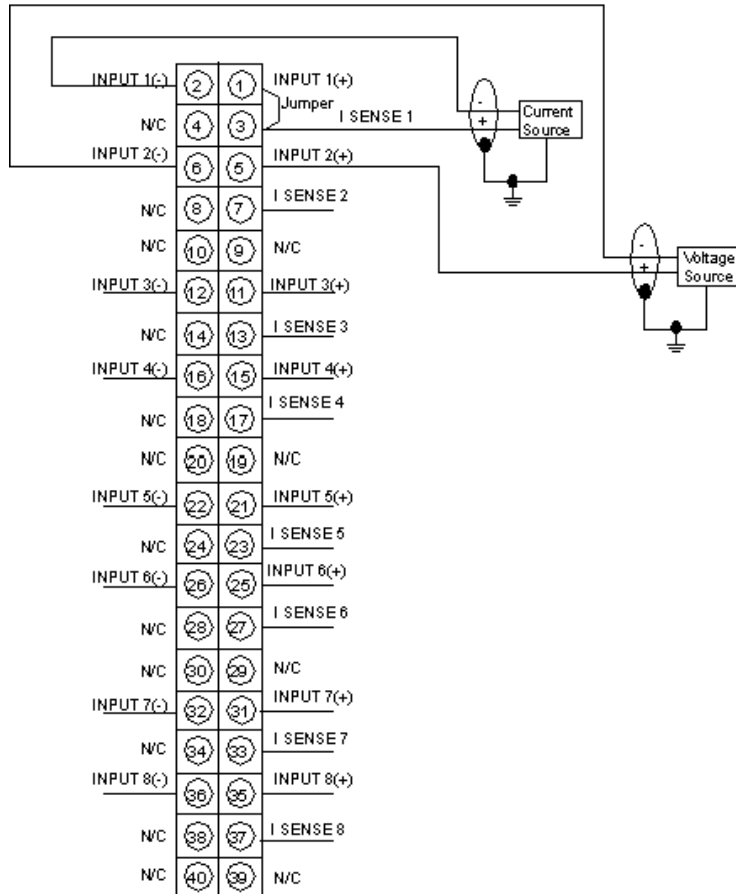
Dimensions of Modules and Racks



- (1) 2 slots
- (2) 3 slots
- (3) 4 slots
- (4) 6 slots
- (5) 10 slots
- (6) 16 slots

Analog Input 8-Channel Bipolar Module

Wiring Diagram



N/C Not Connected

140AVI03000 is replaced by:



Standard environment BMXAMI0810

isolated analog input module X80 - 8 inputs - high speed

Qty 1

Reason for Substitution: End of life | Substitution date: 30 September 2019 | Linking to group 1