

# 140NOC78100C

## Coated Modicon Quantum Ethernet control network module - RJ45 - 10/100 Mbit/s

Product availability : Stock - Normally stocked in distribution facility



Price\* : 4140.00 USD



### Main

Range of product	Modicon Quantum automation platform
Product or component type	Ethernet control module

### Complementary

Product compatibility	140CPU6xxxx
Communication port protocol	Modbus TCP Ethernet/IP
Exchange mode	Full duplex
Maximum number of connections	64
Transmission rate	10/100 Mbit/s
Redundancy	Yes hot standby redundant architecture
Topology	Redundant ring Daisy chain loop
Web server	Embedded
Communication service	Device Type Manager (DTM) SMTP e-mail notification DHCP/BootP server NTP time synchronization Embedded router FDR server CIP implicit messaging (I/O communication) CIP Explicit messaging (client messaging) Embedded 4-port switch SNMP agent Quality of Service (QoS)
Ethernet service	Rapid Scanning Tree Protocol (RSTP)
Transmission support medium	Twisted pair
Port Ethernet	10BASE-T/100BASE-TX, connector type: RJ45
Marking	CE

Disclaimer: This documentation is not intended as a substitute for and is not to be used for determining suitability or reliability of these products for specific user applications.

Supply	Via the power supply of the rack
Local signalling	1 LED green communication on the bus (Active) 1 LED green configuration status (Ready) 1 LED green/red device network status (Net Status 1) 1 LED green/red extended DIO network status (Net Status 2) 1 LED green/red module status (Mod Status) 1 LED green/red network communication status (Net Status)
Module format	Standard
Product weight	0.76 lb(US) (0.345 kg)

## Environment

Standards	CSA C22.2 No 142 EN 61131-2 EN 61131-1 UL 508 EN 55011 IEC 61000-4-16 FM Class 1 Division 2
Product certifications	Hazardous location class 1, division 2 GOST Merchant Navy LR C-Tick
IP degree of protection	IP20
Ambient air temperature for operation	32...140 °F (0...60 °C)
Relative humidity	10...95 % at 140 °F (60 °C) - without condensation

## Ordering and shipping details

Category	18150 - QUANTUM CONTROLLERS,HSBY,COMM.
Discount Schedule	PC21
Nbr. of units in pkg.	1
Package weight(Lbs)	2.21
Returnability	N
Country of origin	FR

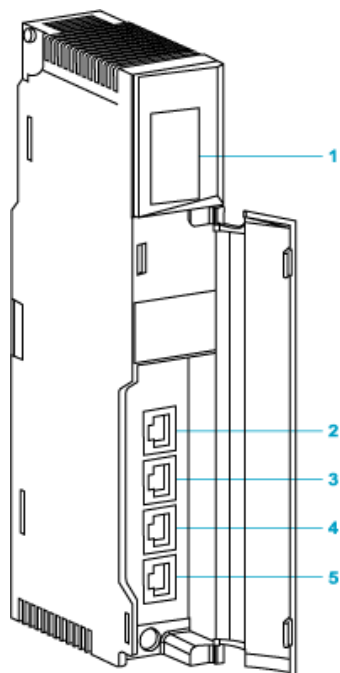
## Offer Sustainability

Sustainable offer status	Green Premium product
RoHS (date code: YYWW)	Compliant - since 1030 - Schneider Electric declaration of conformity <a href="#">Schneider Electric declaration of conformity</a>
REACH	Reference not containing SVHC above the threshold <a href="#">Reference not containing SVHC above the threshold</a>
Product environmental profile	Available
Product end of life instructions	Available

## Contractual warranty

Warranty period	18 months
-----------------	-----------

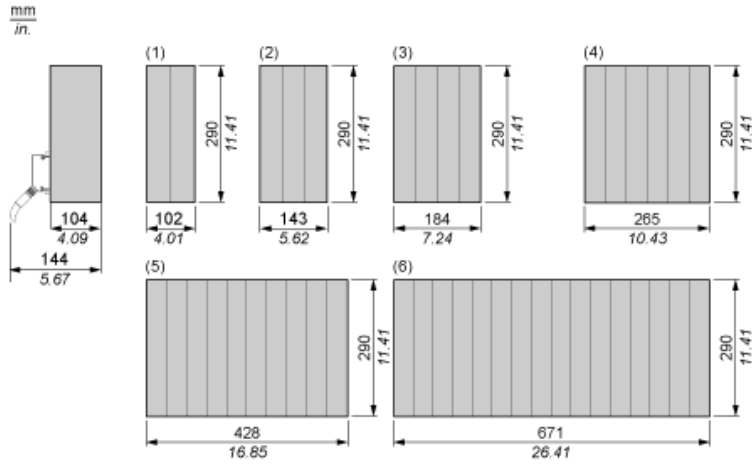
Presentation



- 1 LED display
- 2 SERVICE/EXTEND port (ETH 1)
- 3 INTERLINK port (ETH 2)
- 4 CTRL NETWORK port (ETH 3)
- 5 CTRL NETWORK port (ETH 4)

Racks for Modules Mounting

Dimensions of Modules and Racks



- (1) 2 slots
- (2) 3 slots
- (3) 4 slots
- (4) 6 slots
- (5) 10 slots
- (6) 16 slots