



Price* : 981.00 USD



Main

Range of product	Modicon X80
Product or component type	Power supply module
Product compatibility	Not compatible with BMEXBP..02
Product specific application	For severe environments
Primary voltage	24...48 V isolated
Supply circuit type	DC
Secondary power	11.3 W 3.3 V DC at -13...158 °F (-25...70 °C) I/O module logic power supply 15 W 3.3 V DC at 32...140 °F (0...60 °C) I/O module logic power supply 23.4 W 24 V DC at -13...158 °F (-25...70 °C) I/O module power supply and processor 31.2 W 24 V DC at 32...140 °F (0...60 °C) I/O module power supply and processor

Complementary

Primary voltage limit	18...62.4 V
Input current	0.83 A 48 V 1.65 A 24 V
Inrush current	30 A 24 V 60 A 48 V
I ² t on activation	<= 1 A ² .s 24 V <= 3 A ² .s 48 V
It on activation	<= 0.2 A.s 24 V <= 0.3 A.s 48 V
Protection type	Internal fuse not accessible primary circuit Overload protection secondary circuit, 24 V sensor power supply Overvoltage protection secondary circuit, 24 V sensor power supply Short-circuit protection secondary circuit, 24 V sensor power supply
Current at secondary voltage	1.3 A 24 V DC I/O module power supply and processor 4.5 A 3.3 V DC I/O module logic power supply
Power dissipation in W	<= 8.5 W
Status LED	1 LED green rack voltage OK

Control type	RESET push-button cold restart
Electrical connection	1 connector 2 pin(s) alarm relay 1 connector 5 pin(s) line supply, protective earth
Cable distance between devices	10 m power supply cable copper 1.5 mm ² 15 m power supply cable copper 2.5 mm ²
Insulation resistance	>= 10 mOhm primary/secondary >= 10 mOhm primary/ground
Product weight	0.75 lb(US) (0.34 kg)

Environment

Immunity to microbreaks	<= 1 ms
Dielectric strength	1500 V primary/ground 1500 V primary/secondary
Vibration resistance	3 gn
IP degree of protection	IP20
Product certifications	CSA RCM Merchant Navy ATEX IEC-Ex UL CE EAC
Standards	CSA C22.2 No 61010-2-201 EN/IEC 61010-2-201 EN/IEC 61131-2 UL 61010-2-201
Ambient air temperature for storage	-40...185 °F (-40...85 °C)
Ambient air temperature for operation	-13...158 °F (-25...70 °C)
Relative humidity	5...95 % without condensation 55 °C
Protective treatment	Conformal coating Humiseal 1A33 TC
Environmental characteristic	Corrosion resistance Salt mist Dust resistant Hazardous location
Operating altitude	0...6561.68 ft (0...2000 m) 2000...5000 m (with derating factor)

Ordering and shipping details

Category	18160 - MODICON M340
Discount Schedule	PC34
GTIN	00785901687283
Nbr. of units in pkg.	1
Package weight(Lbs)	1.05
Returnability	Y
Country of origin	ID

Offer Sustainability

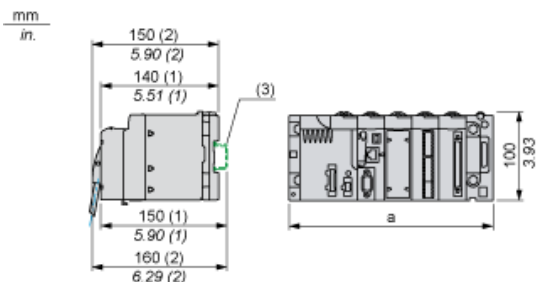
Sustainable offer status	Green Premium product
RoHS (date code: YYWW)	Compliant - since 0911 - Schneider Electric declaration of conformity Schneider Electric declaration of conformity
REACH	Reference not containing SVHC above the threshold Reference not containing SVHC above the threshold
Product environmental profile	Available
Product end of life instructions	Available

Contractual warranty

Warranty period	18 months
-----------------	-----------

Modules Mounted on Racks

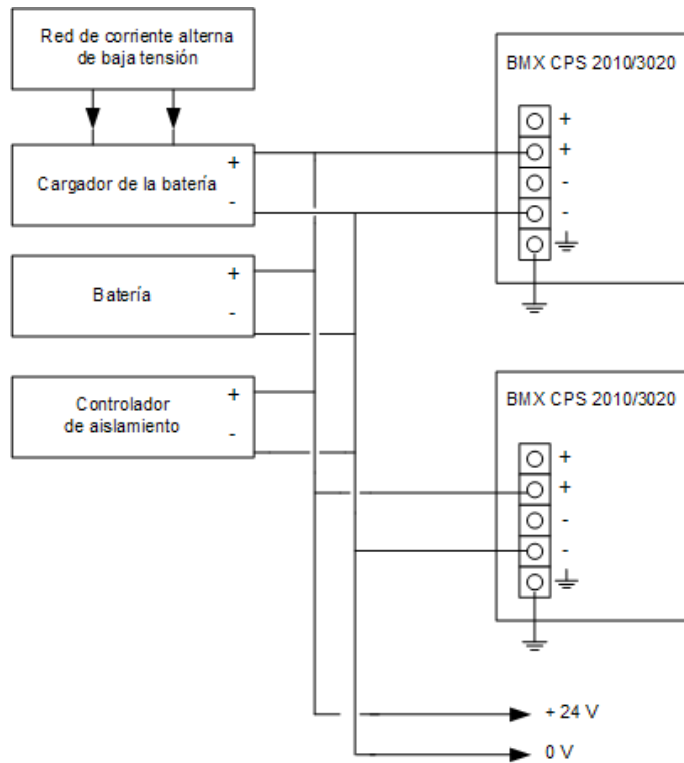
Dimensions



- (1) With removable terminal block (cage, screw or spring).
- (2) With FCN connector.
- (3) On AM1 ED rail: 35 mm wide, 15 mm deep. Only possible with BMXXBP0400/0400H/0600/0600H/0800/0800H rack.

Rack references	a in mm	a in in.
BMXXBP0400 and BMXXBP0400H	242.4	09.54
BMXXBP0600 and BMXXBP0600H	307.6	12.11
BMXXBP0800 and BMXXBP0800H	372.8	14.68
BMXXBP1200 and BMXXBP1200H	503.2	19.81

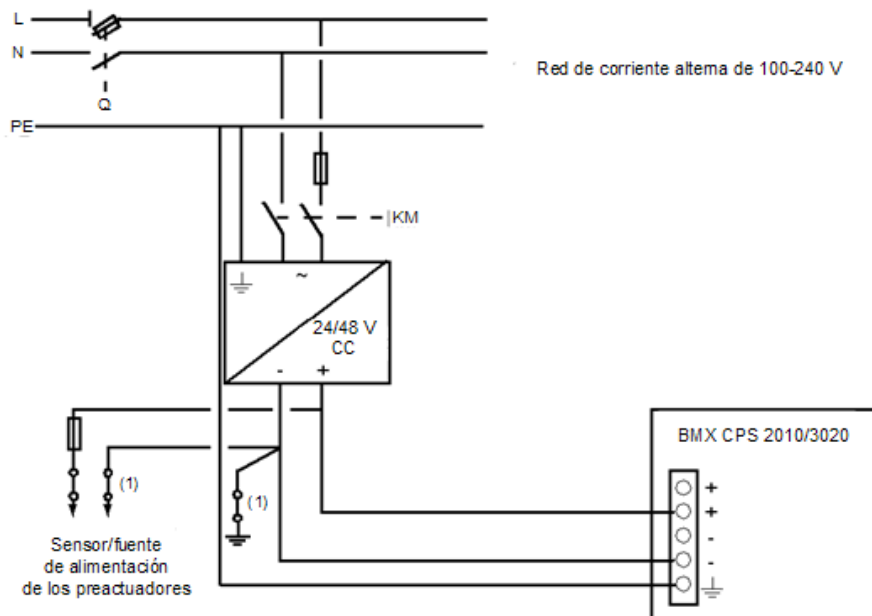
Connection of Direct Current Power Supply Modules to a 24 Vdc or 48 Vdc Floating Direct Current Network



Red flotante de 24 VCC para la alimentación de sensores, actuadores y módulos de entrada/salida.

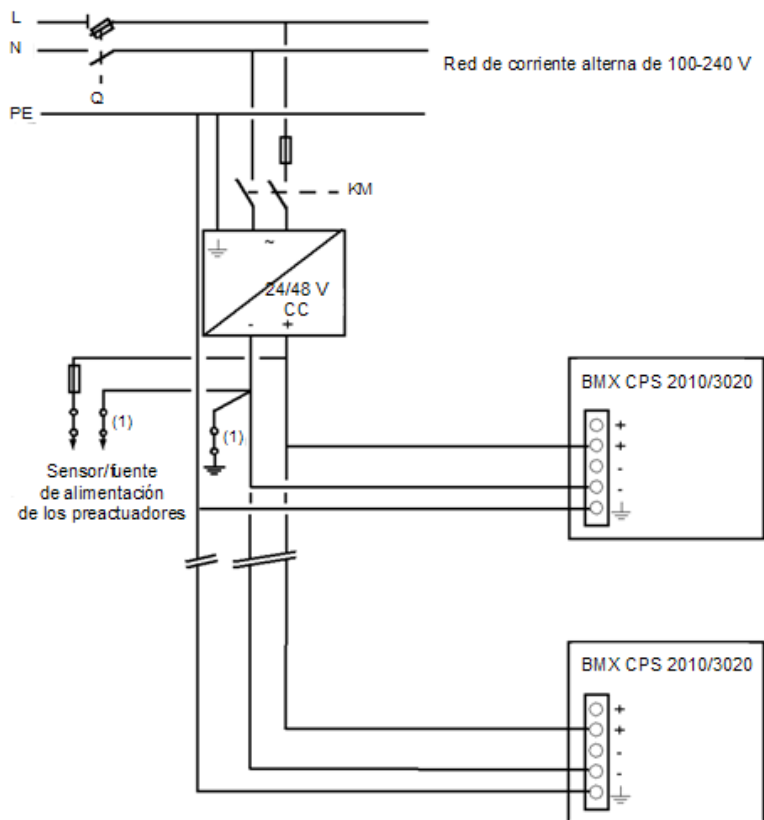
Connection of Direct Current Power Supply Modules to an Alternating Current Network

Connection of a Single Rack PLC Station



- Q General isolator
- KM Line contactor or circuit breaker
- (1) Insulation connector bar for locating grounding errors

Connection of a Multi-Rack PLC Station



- Q General isolator
- KM Line contactor or circuit breaker
- (1) Insulation connector bar for locating grounding errors