



Price\* : 981.00 USD



## Main

Range of product	Modicon X80
Product or component type	Power supply module
Product compatibility	Not compatible with BMEXBP..02
Product specific application	For severe environments
Primary voltage	100...240 V
Supply circuit type	AC
Secondary power	11.3 W 3.3 V DC at -13...158 °F (-25...70 °C) I/O module logic power supply 15 W 3.3 V DC at 32...140 °F (0...60 °C) I/O module logic power supply 23.4 W 24 V DC at -13...158 °F (-25...70 °C) I/O module power supply and processor 31.2 W 24 V DC at 32...140 °F (0...60 °C) I/O module power supply and processor 16.2 W 24 V DC at -13...158 °F (-25...70 °C) sensor power supply 21.6 W 24 V DC at 32...140 °F (0...60 °C) sensor power supply

## Complementary

Primary voltage limit	85...264 V
Network frequency	50/60 Hz
Network frequency limits	47...63 Hz
Apparent power	0.07 kVA
Input current	0.52 A 240 V 1.04 A 115 V
Inrush current	<= 30 A 120 V <= 60 A 240 V
I <sup>2</sup> t on activation	<= 1 A <sup>2</sup> .s 120 V <= 3 A <sup>2</sup> .s 240 V
It on activation	<= 0.05 A.s 120 V <= 0.07 A.s 240 V
Protection type	Internal fuse not accessible primary circuit Overload protection secondary circuit Overvoltage protection secondary circuit

Short-circuit protection secondary circuit

Current at secondary voltage	0.9 A 24 V DC sensor power supply 1.3 A 24 V DC I/O module power supply and processor 4.5 A 3.3 V DC I/O module logic power supply
Power dissipation in W	<= 8.5 W
Status LED	1 LED green rack voltage OK 1 LED green sensor voltage
Control type	RESET push-button cold restart
Electrical connection	1 connector 2 pin(s) alarm relay 1 connector 5 pin(s) line supply, protective earth, 24 V DC input sensor
Insulation resistance	>= 100 MOhm primary/ground >= 100 MOhm primary/secondary
Product weight	0.79 lb(US) (0.36 kg)

## Environment

Immunity to microbreaks	<= 1 ms
Dielectric strength	1500 V primary/ground 1500 V primary/secondary I/O module logic power supply 1500 V primary/secondary I/O module power supply and processor 2300 V primary/secondary sensor power supply 500 V 24 V sensor output/ground
Vibration resistance	3 gn
IP degree of protection	IP20
Product certifications	RCM EAC Merchant Navy CSA CE IEC-Ex ATEX UL
Standards	EN/IEC 61131-2 EN/IEC 61010-2-201 CSA C22.2 No 61010-2-201 UL 61010-2-201
Ambient air temperature for storage	-40...185 °F (-40...85 °C)
Ambient air temperature for operation	-13...158 °F (-25...70 °C)
Relative humidity	5...95 % without condensation 55 °C
Protective treatment	Conformal coating Humiseal 1A33 TC
Environmental characteristic	Corrosion resistance Salt mist Dust resistant Hazardous location
Operating altitude	0...6561.68 ft (0...2000 m) 2000...5000 m (with derating factor)

## Ordering and shipping details

Category	18160 - MODICON M340
Discount Schedule	PC34
GTIN	00785901621256
Nbr. of units in pkg.	1
Package weight(Lbs)	1.0900000000000001
Returnability	Y
Country of origin	ID

## Offer Sustainability

Sustainable offer status	Green Premium product
RoHS (date code: YYWW)	Compliant - since 0911 - Schneider Electric declaration of conformity

 Schneider Electric declaration of conformity

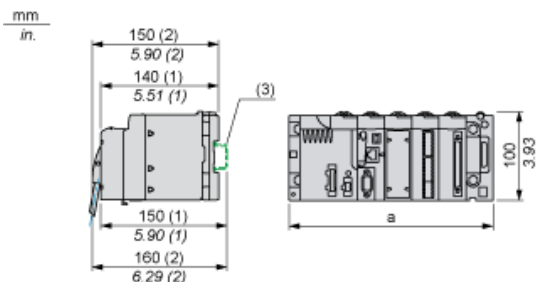
REACH	Reference not containing SVHC above the threshold Reference not containing SVHC above the threshold
Product environmental profile	Available
Product end of life instructions	Available

Contractual warranty

Warranty period	18 months
-----------------	-----------

Modules Mounted on Racks

Dimensions

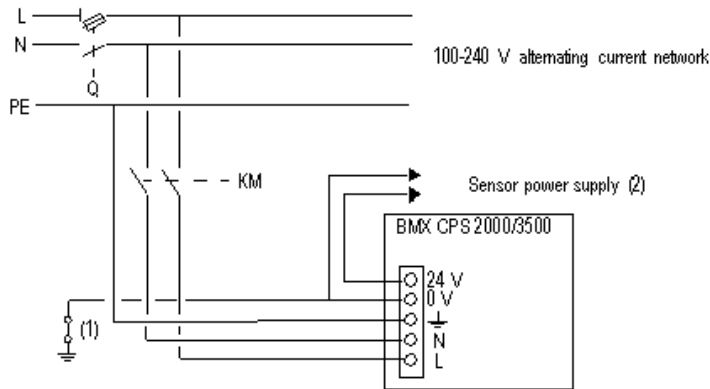


- (1) With removable terminal block (cage, screw or spring).
- (2) With FCN connector.
- (3) On AM1 ED rail: 35 mm wide, 15 mm deep. Only possible with BMXXBP0400/0400H/0600/0600H/0800/0800H rack.

Rack references	a in mm	a in in.
BMXXBP0400 and BMXXBP0400H	242.4	09.54
BMXXBP0600 and BMXXBP0600H	307.6	12.11
BMXXBP0800 and BMXXBP0800H	372.8	14.68
BMXXBP1200 and BMXXBP1200H	503.2	19.81

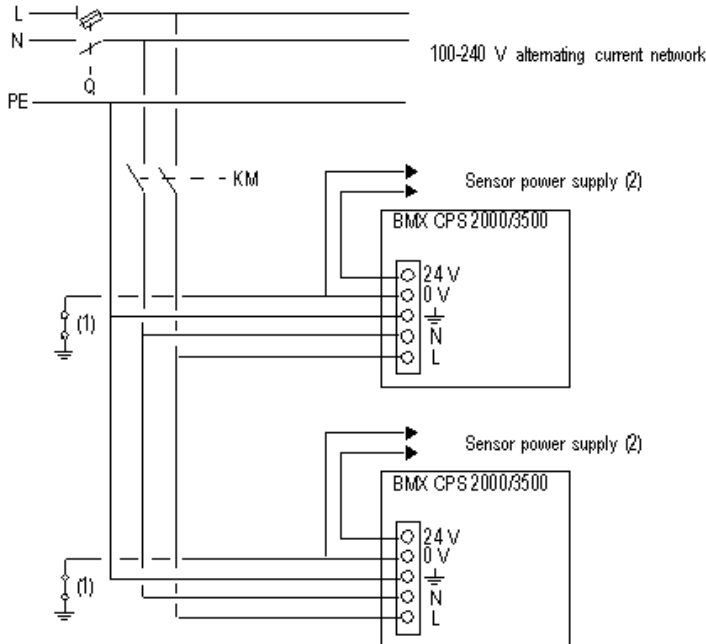
Connection of Alternating Current Power Supply Modules

Connection of a PLC Station Constituted of a Single Rack



- Q General isolator
- KM Line contactor or circuit breaker
- (1) Insulation connector bar for locating grounding errors
- (2) Available current of 0.45 A for the BMXCPS2000 module or 0.9 A for the BMXCPS3500 module

Connection of a PLC Station Constituted of Several Racks



- Q General isolator
- KM Line contactor or circuit breaker
- (1) Insulation connector bar for locating grounding errors
- (2) Available current of 0.45 A for the BMXCPS2000 module or 0.9 A for the BMXCPS3500 module