

TSXDEY16A3

discrete input module Modicon Premium - 16 I 48 V AC

Product availability : Stock - Normally stocked in distribution facility

Price* : 816.50 USD



Main

Range of product	Modicon Premium Automation platform
Product or component type	Discrete input module
Discrete input number	16 capacitive isolated conforming to EN/IEC 61131-2 type 2
Discrete input voltage	48 V AC
Network frequency	50/60 Hz 47...63 Hz AC
Sensor power supply	40...52 V
Input compatibility	With 2-wire/3-wire proximity sensors conforming to EN/IEC 60947-5-2
Discrete input current	16 mA

Complementary

Voltage state 1 guaranteed	29 V
Current state 1 guaranteed	6 mA
Voltage state 0 guaranteed	10 V
Current state 0 guaranteed	4 mA
Input impedance	3200 Ohm at state 1
Response time	<= 20 ms 10 ms
Insulation resistance	< 10 MOhm 500 V DC
Power dissipation	0.86 W
Electrical connection	Screw terminal
Marking	CE
Current consumption	80 mA 5 V DC
Module format	Standard
Product weight	0.71 lb(US) (0.32 kg)

Disclaimer: This documentation is not intended as a substitute for and is not to be used for determining suitability or reliability of these products for specific user applications.

Environment

Dielectric strength	1500 V AC at 50/60 Hz
Standards	89/336/EEC UL 508 73/23/EEC CSA C22.2 No 213 Class I Division 2 Group C CSA C22.2 No 142 93/68/EEC IEC 60664 EN/IEC 61131-2 92/31/EEC CSA C22.2 No 213 Class I Division 2 Group D CSA C22.2 No 213 Class I Division 2 Group A CSA C22.2 No 213 Class I Division 2 Group B
Product certifications	RMRS DNV ABS GL BV LR RINA
Ambient air temperature for operation	32...140 °F (0...60 °C)
Ambient air temperature for storage	-13...158 °F (-25...70 °C)
Relative humidity	10...95 % without condensation for operation 5...95 % without condensation for storage
Operating altitude	0...6561.68 ft (0...2000 m)
Protective treatment	TC
IP degree of protection	IP20
Pollution degree	2

Ordering and shipping details

Category	22558 - TSX PREMIUM, ATRIUM & PL7 PRO
Discount Schedule	PC22
Nbr. of units in pkg.	1
Package weight(Lbs)	6.6100000000000003
Returnability	N
Country of origin	FR

Offer Sustainability

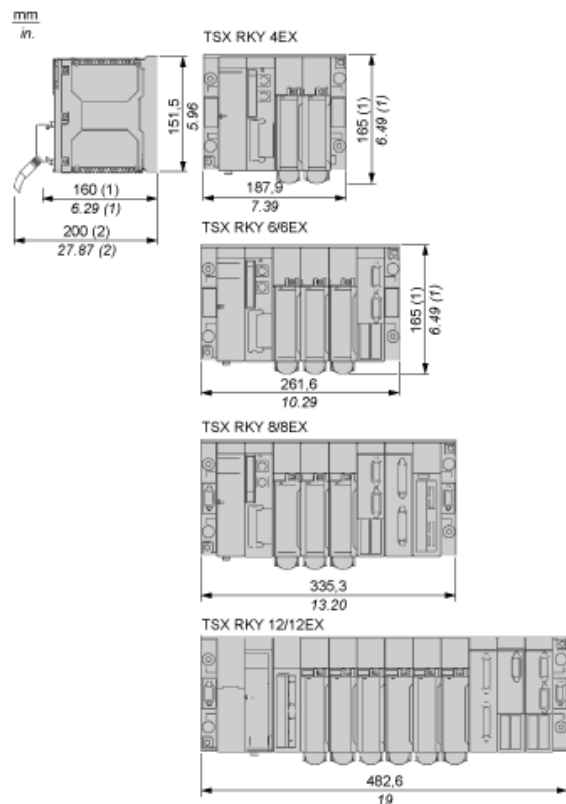
Sustainable offer status	Not Green Premium product
RoHS (date code: YYWW)	Compliant - since 0925 - Schneider Electric declaration of conformity Schneider Electric declaration of conformity
REACH	Reference not containing SVHC above the threshold Reference not containing SVHC above the threshold
Product end of life instructions	Need no specific recycling operations

Contractual warranty

Warranty period	18 months
-----------------	-----------

Standard and Extendable Racks for Modules Mounting

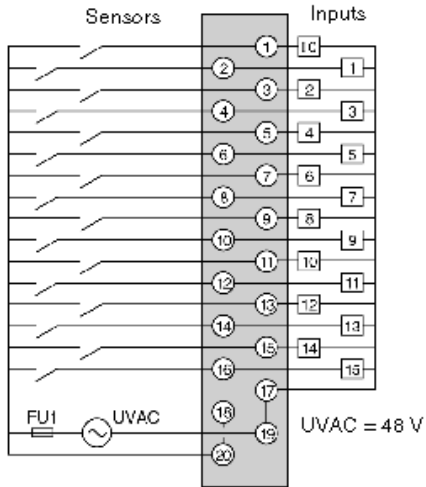
Dimensions of Modules and Racks



- (1) With screw terminal block modules.
- (2) Maximum depth for all types of modules and their associated connectors.

48 Vac Discrete Input 16-Channel Module

Wiring Diagram



FU1 0.5 A quick-blow fuse