

# TSXDEY16A5

discrete input module Modicon Premium - 16 I  
200..240 V AC

Product availability : Stock - Normally stocked in distribution facility

Price\* : 737.15 USD



## Main

Range of product	Modicon Premium Automation platform
Product or component type	Discrete input module
Discrete input number	16 capacitive isolated conforming to EN/IEC 61131-2 type 2
Discrete input voltage	220 V AC
Network frequency	50/60 Hz 47...63 Hz AC
Sensor power supply	170...264 V
Input compatibility	With 2-wire/3-wire proximity sensors conforming to EN/IEC 60947-5-2
Discrete input current	15 mA

## Complementary

Voltage state 1 guaranteed	159 V
Current state 1 guaranteed	6 mA
Voltage state 0 guaranteed	40 V
Current state 0 guaranteed	4 mA
Input impedance	20000 Ohm at state 1
Response time	10 ms <= 20 ms
Insulation resistance	< 10 MOhm 500 V DC
Power dissipation	0.97 W
Electrical connection	Screw terminal
Marking	CE
Current consumption	80 mA 5 V DC
Module format	Standard
Product weight	0.79 lb(US) (0.36 kg)

Disclaimer: This documentation is not intended as a substitute for and is not to be used for determining suitability or reliability of these products for specific user applications

## Environment

Dielectric strength	1500 V AC at 50/60 Hz
Standards	93/68/EEC EN/IEC 61131-2 IEC 60664 CSA C22.2 No 142 89/336/EEC CSA C22.2 No 213 Class I Division 2 Group A CSA C22.2 No 213 Class I Division 2 Group C UL 508 92/31/EEC 73/23/EEC CSA C22.2 No 213 Class I Division 2 Group B CSA C22.2 No 213 Class I Division 2 Group D
Product certifications	ABS LR DNV BV RINA GL RMRS
Ambient air temperature for operation	32...140 °F (0...60 °C)
Ambient air temperature for storage	-13...158 °F (-25...70 °C)
Relative humidity	10...95 % without condensation for operation 5...95 % without condensation for storage
Operating altitude	0...6561.68 ft (0...2000 m)
Protective treatment	TC
IP degree of protection	IP20
Pollution degree	2

## Ordering and shipping details

Category	22558 - TSX PREMIUM, ATRIUM & PL7 PRO
Discount Schedule	PC22
GTIN	00785901725497
Nbr. of units in pkg.	1
Package weight(Lbs)	6.610000000000003
Returnability	N
Country of origin	FR

## Offer Sustainability

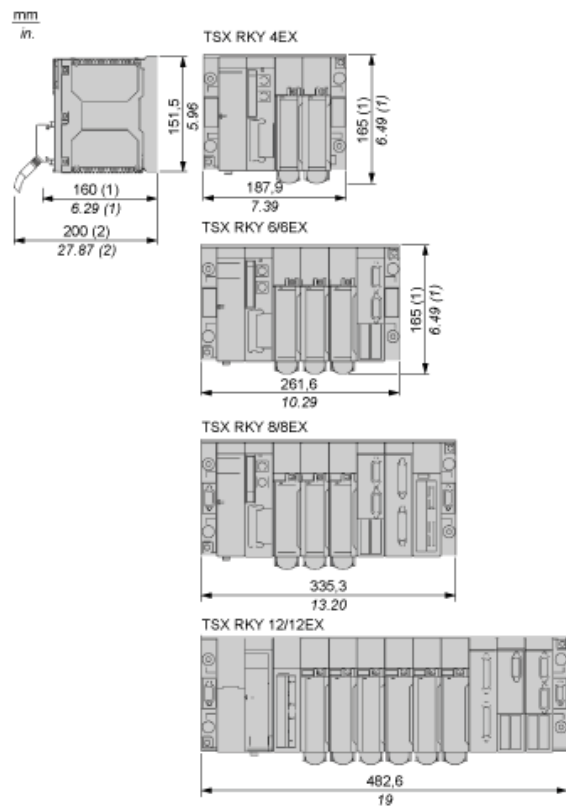
Sustainable offer status	Not Green Premium product
RoHS (date code: YYWW)	Compliant - since 0903 - Schneider Electric declaration of conformity <a href="#">Schneider Electric declaration of conformity</a>
REACH	Reference not containing SVHC above the threshold <a href="#">Reference not containing SVHC above the threshold</a>
Product end of life instructions	Need no specific recycling operations

## Contractual warranty

Warranty period	18 months
-----------------	-----------

Standard and Extendable Racks for Modules Mounting

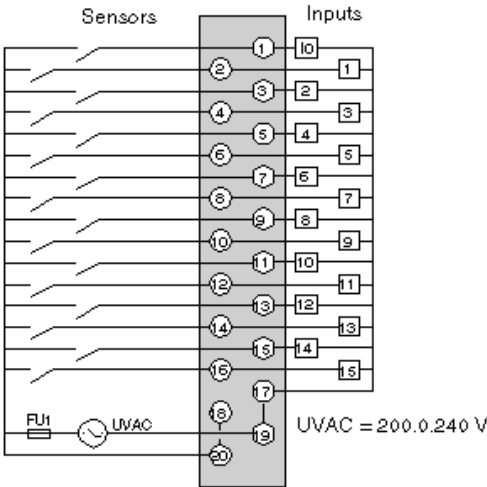
Dimensions of Modules and Racks



- (1) With screw terminal block modules.
- (2) Maximum depth for all types of modules and their associated connectors.

200...240 Vac Discrete Input 16-Channel Module

Wiring Diagram



FU1 0.5 A quick-blow fuse