

Product data sheet

Characteristics

TSXDEY32D2KC

discrete input module -32 current sink isolated -
24 V DC - 3.5 mA

Product availability : Stock - Normally stocked in distribution facility

Price* : 1216.70 USD



Main

Range of product	Modicon Premium Automation platform
Product or component type	Discrete input module
Discrete input number	32 current sink isolated conforming to EN/IEC 61131-2 type 1
Discrete input voltage	24 V DC positive
Sensor power supply	19...30 V
Discrete input current	3.5 mA

Complementary

Voltage state 1 guaranteed	≥ 11 V
Current state 1 guaranteed	≥ 3 mA
Voltage state 0 guaranteed	≤ 5 V
Current state 0 guaranteed	≤ 1.5 mA
Input impedance	6300 Ohm at state 1
Response time	4 ms ≤ 7 ms
Insulation resistance	< 10 MOhm 500 V DC
Power dissipation	(1 W + 0.1 W x No of channels used)
Electrical connection	HE-10 connector
Marking	CE
Current consumption	135 mA 5 V DC 160 mA 24 V DC
Module format	Standard
Product weight	0.66 lb(US) (0.3 kg)

Environment

Dielectric strength	1500 V AC at 50/60 Hz
---------------------	-----------------------

Standards	UL 508 CSA C22.2 No 213 Class I Division 2 Group A CSA C22.2 No 213 Class I Division 2 Group D CSA C22.2 No 213 Class I Division 2 Group C 93/68/EEC 89/336/EEC CSA C22.2 No 213 Class I Division 2 Group B EN/IEC 61131-2 92/31/EEC 73/23/EEC IEC 60664 CSA C22.2 No 142
Product certifications	GL RMRS BV LR RINA ABS DNV
Ambient air temperature for operation	32...140 °F (0...60 °C)
Ambient air temperature for storage	-13...158 °F (-25...70 °C)
Relative humidity	10...95 % without condensation for operation 5...95 % without condensation for storage
Operating altitude	0...6561.68 ft (0...2000 m)
Protective treatment	TC Conformal coating Humiseal 1A33
IP degree of protection	IP20
Pollution degree	2

Ordering and shipping details

Category	22558 - TSX PREMIUM, ATRIUM & PL7 PRO
Discount Schedule	PC22
GTIN	00785901950349
Nbr. of units in pkg.	1
Package weight(Lbs)	6.6100000000000003
Returnability	N
Country of origin	FR

Offer Sustainability

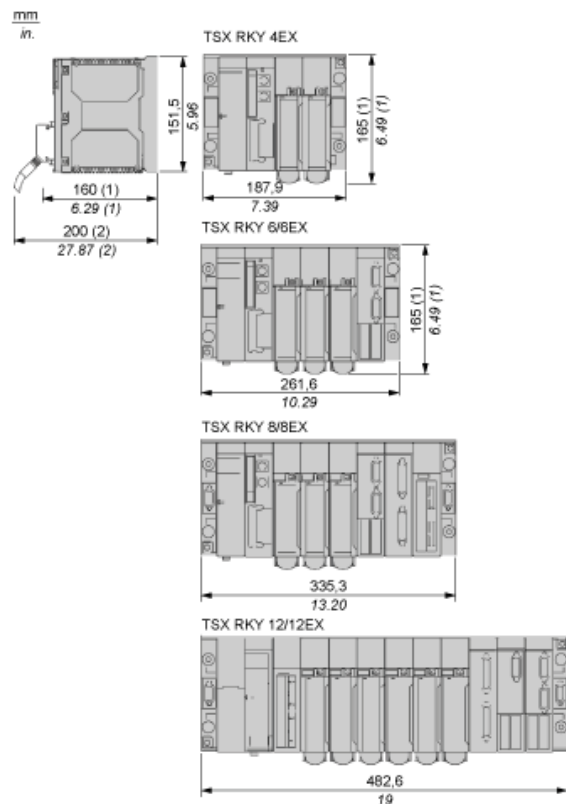
Sustainable offer status	Not Green Premium product
RoHS (date code: YYWW)	Compliant - since 0843 - Schneider Electric declaration of conformity Schneider Electric declaration of conformity
REACH	Reference not containing SVHC above the threshold Reference not containing SVHC above the threshold
Product end of life instructions	Need no specific recycling operations

Contractual warranty

Warranty period	18 months
-----------------	-----------

Standard and Extendable Racks for Modules Mounting

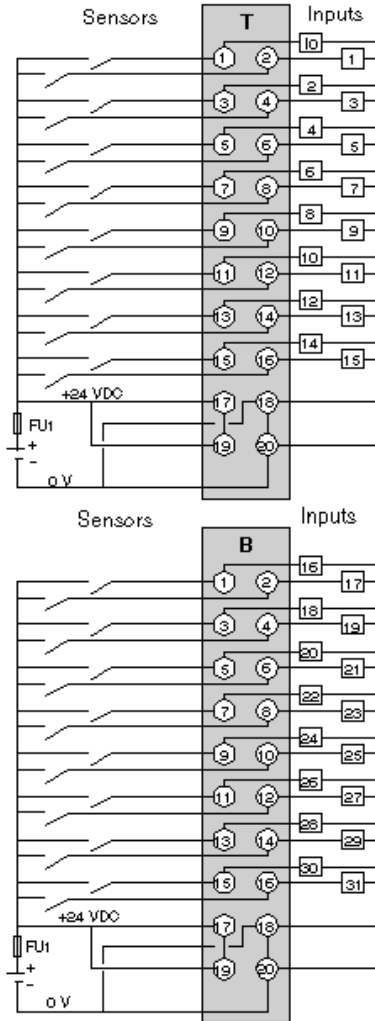
Dimensions of Modules and Racks



- (1) With screw terminal block modules.
- (2) Maximum depth for all types of modules and their associated connectors.

24 Vdc Discrete Input 32-Channel Module

Wiring Diagram



FU1 0.5 A quick-blow fuse