

Price* : 401.00 USD



Main

Range of product	Modicon TSX Micro automation platform
Product or component type	Discrete input module
Discrete input number	12 screw terminal block
Discrete input voltage	24 V DC positive or negative 19...30 V
Discrete input current	9 mA
Input voltage limits	≥ 11 V at state 1 < 5 V at state 0
Current state 0 guaranteed	≤ 1.5 mA
Current state 1 guaranteed	≥ 2.5 mA
Input impedance	2.4 Ohm
Response time	0.1...7.5 ms at state 0 to state 1 0.1...7.5 ms at state 1 to state 0

Complementary

Standards	IEC 1131-2 Type 1
Input compatibility	2/3-wire proximity sensors PNP/NPN
Discrete input type	Resistive
Current consumption	123 mA positive 107 mA negative
Isolation voltage	1500 V AC 1 s

Environment

Product weight	0.51 lb(US) (0.23 kg)
----------------	-----------------------

Ordering and shipping details

Category	22556 - TSX MICRO, PL7 MICRO & ACCESS
----------	---------------------------------------

Discount Schedule	PC14
GTIN	00785901540427
Nbr. of units in pkg.	1
Package weight(Lbs)	0.7299999999999998
Returnability	N
Country of origin	FR

Offer Sustainability

Sustainable offer status	Not Green Premium product
RoHS (date code: YYWW)	Will not be compliant Will not be compliant

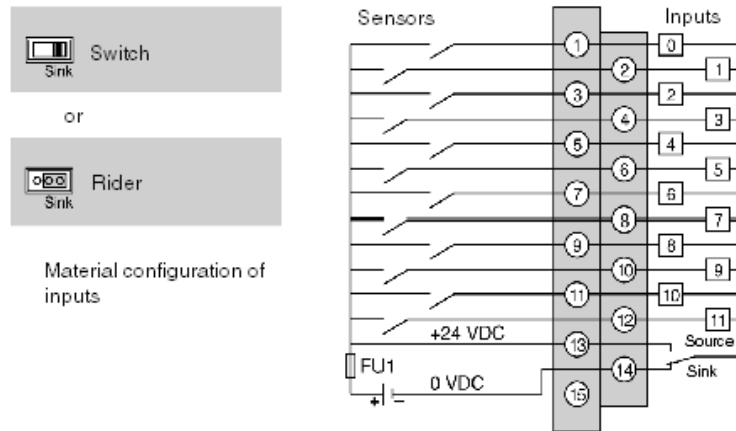
Contractual warranty

Warranty period	18 months
-----------------	-----------

Sensors/Inputs Connections

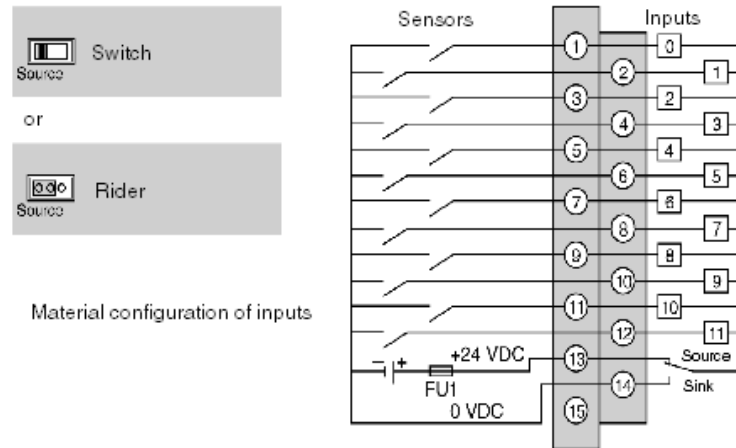
Wiring Diagrams

Positive logic inputs (Sink)



FU1 = 0.5A fuse with rapid fusion.

Negative logic input (Source)



FU1 = 0.5A fuse with rapid fusion.