

Price\* : 368.00 USD



### Main

Range of product	Modicon TSX Micro automation platform
Product or component type	Discrete input module
Discrete input number	12 1 HE-10 connector
Discrete input voltage	24 V DC positive 19...30 V
Discrete input current	7 mA
Input voltage limits	$\geq 11$ V at state 1 $< 5$ V at state 0
Current state 0 guaranteed	$\leq 2$ mA
Current state 1 guaranteed	$\geq 6$ mA
Input impedance	3.4 Ohm
Response time	0.1...7.5 ms at state 0 to state 1 0.1...7.5 ms at state 1 to state 0

### Complementary

Standards	IEC 1131-2 Type 2
Input compatibility	2/3-wire proximity sensors PNP/NPN
Discrete input type	Current sink
Current consumption	104 mA positive
Isolation voltage	1500 V AC 1 s

### Environment

Product weight	0.35 lb(US) (0.16 kg)
----------------	-----------------------

### Ordering and shipping details

Category	22556 - TSX MICRO, PL7 MICRO & ACCESS
Discount Schedule	PC14

GTIN	00785901540434
Nbr. of units in pkg.	1
Package weight(Lbs)	0.58999999999999997
Returnability	N
Country of origin	FR

**Offer Sustainability**

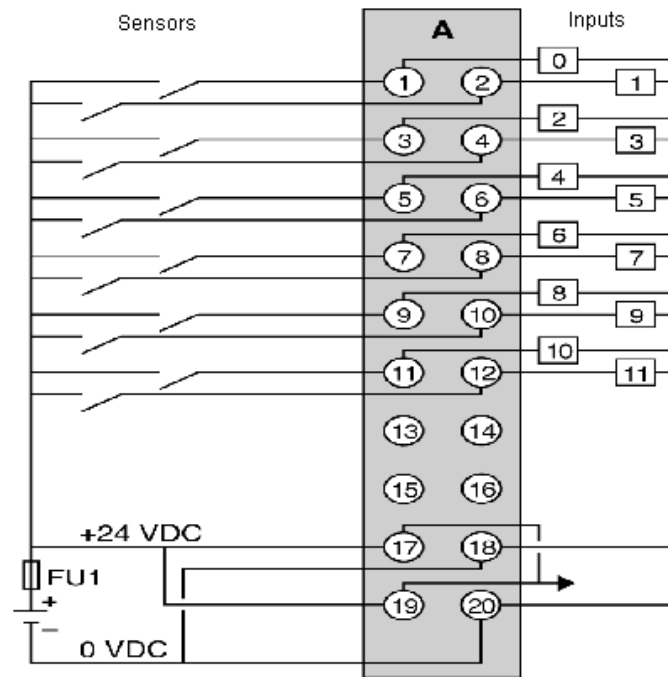
Sustainable offer status	Not Green Premium product
RoHS (date code: YYWW)	Will not be compliant Will not be compliant

**Contractual warranty**

Warranty period	18 months
-----------------	-----------

## Sensors/Inputs Connections

### Wiring Diagram



FU1 = 0.5A fuse with rapid fusion.