

Product availability: Non-Stock - Not normally stocked in distribution facility



### Commercial status

This Product is Obsolete :

 This Product is Obsolete

### Main

Range of product	Modicon Premium Automation platform
Accessory / separate part category	Communication accessories
Accessory / separate part type	PCMCIA card
Accessory / separate part destination	Atrium slot-PLC Premium PLC TSX SCY 21601 module

### Complementary

Protective cover	With
Communication port protocol	Fipway
Local signalling	For transmission or reception of data (COM) 1 LED (green) for card fault, link fault (ERR) 1 LED (red)
Current consumption	330 $\mu$ A 5 V DC
Net Weight	0.24 Lb(US) (0.11 kg)

### Ordering and shipping details

Category	22556 - TSX MICRO, PL7 MICRO & ACCESS
Discount Schedule	PC14
GTIN	00785901870692
Nbr. of units in pkg.	1
Package weight(Lbs)	0.41 Lb(US) (0.19 kg)
Returnability	No
Country of origin	FR

## Packing Units

Unit Type of Package 1	PCE
Package 1 Height	1.38 In (3.5 cm)
Package 1 width	6.10 In (15.5 cm)
Package 1 Length	6.69 In (17 cm)
Unit Type of Package 2	S02
Number of Units in Package 2	8
Package 2 Weight	3.26 Lb(US) (1.48 kg)
Package 2 Height	5.91 In (15 cm)
Package 2 width	11.81 In (30 cm)
Package 2 Length	15.75 In (40 cm)

## Offer Sustainability

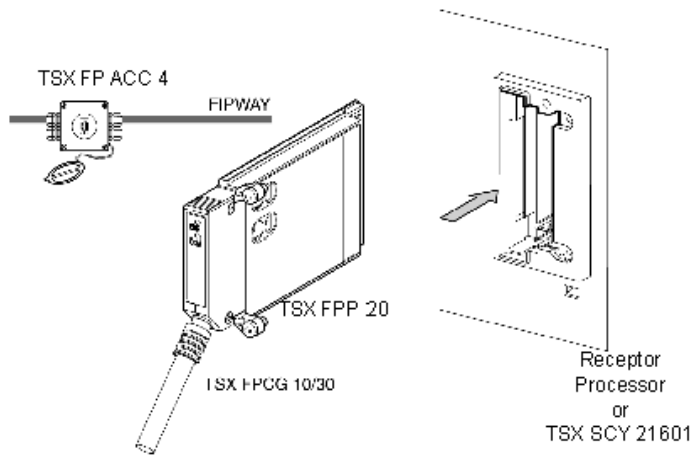
Sustainable offer status	Green Premium product
California proposition 65	WARNING: This product can expose you to chemicals including: Lead and lead compounds which is known to the State of California to cause Carcinogen & Reproductive-harm. For more information go to <a href="http://www.p65warnings.ca.gov">www.p65warnings.ca.gov</a>
EU RoHS Directive	Pro-active compliance (Product out of EU RoHS legal scope) <a href="#">EU RoHS Declaration</a>
Mercury free	Yes
RoHS exemption information	<a href="#">Yes</a>
China RoHS Regulation	<a href="#">China RoHS Declaration</a>
Environmental Disclosure	<a href="#">Product Environmental Profile</a>
Circularity Profile	<a href="#">End Of Life Information</a>
WEEE	The product must be disposed on European Union markets following specific waste collection and never end up in rubbish bins.

## Contractual warranty

Warranty	18 months
----------	-----------

## Connecting the Fipway PCMCIA Card

Items required for connecting a PLC to the Fipway network



Product Life Status : **Post commercialisation**