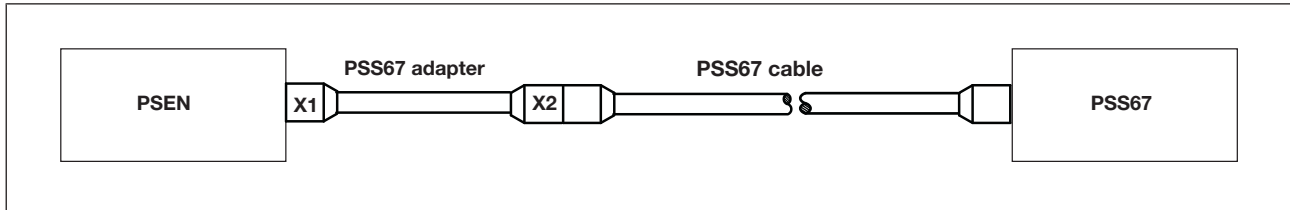
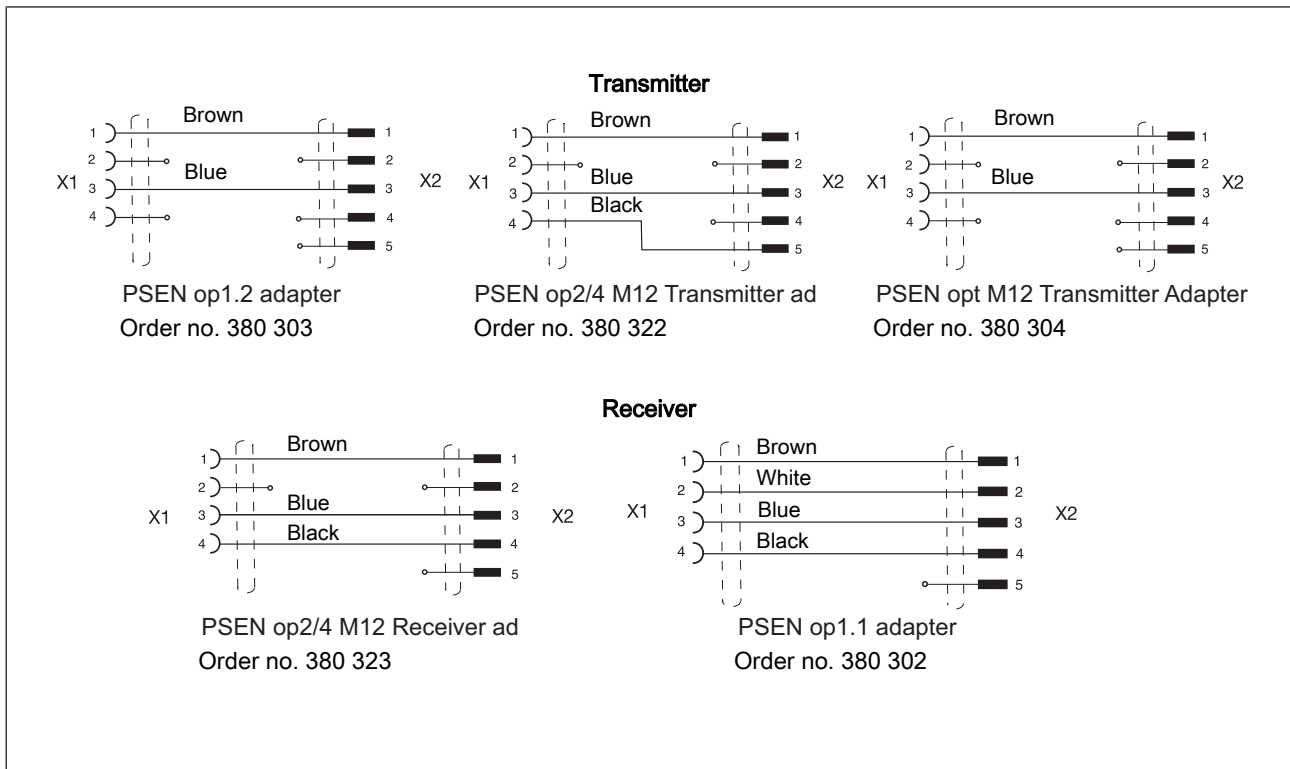


PSEN adapt PSS67/PDP67

Connection

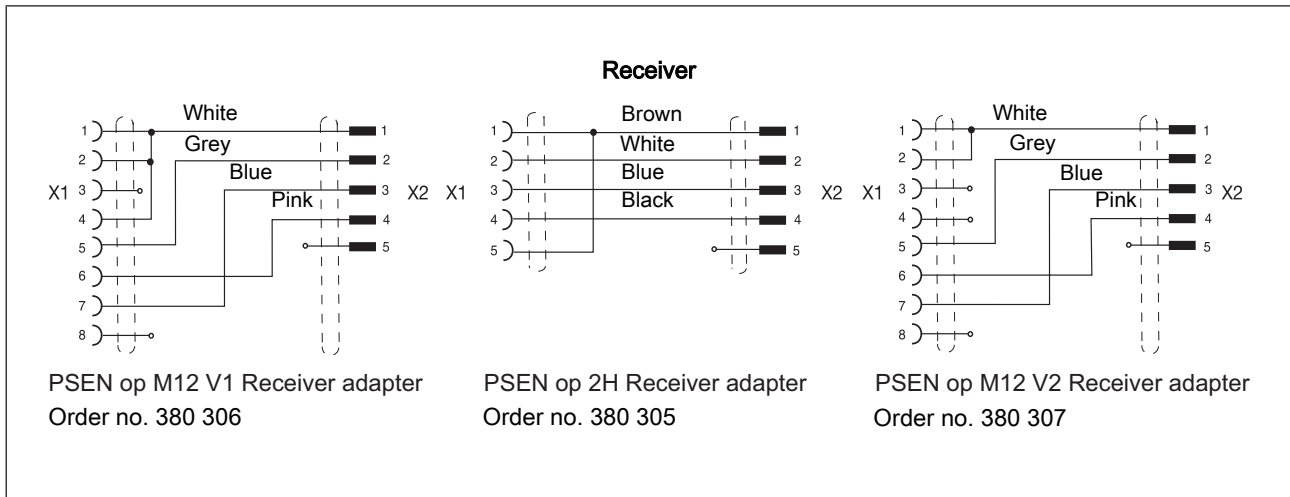


Adapter for light beam devices

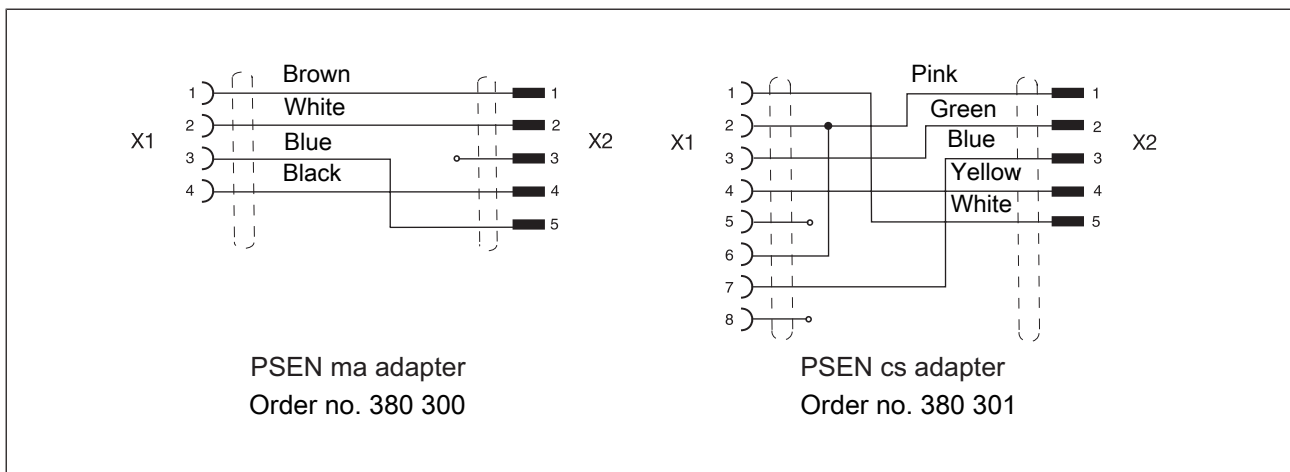


PSEN adapt PSS67/PDP67

Adapter for light curtains/light barriers

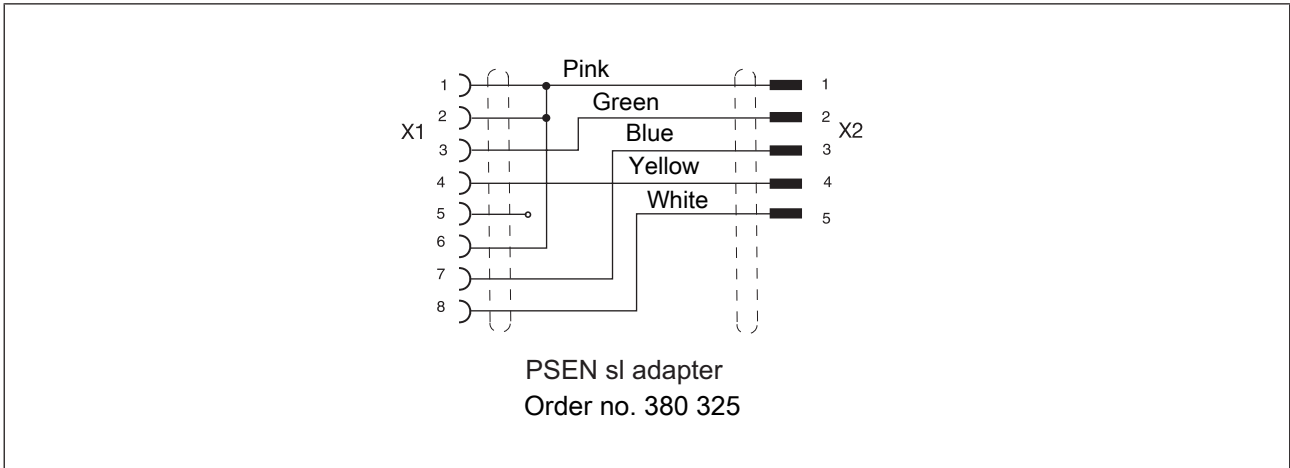


Adapter for safety switch PSENmag/enabling switch PIT en1.0 and PSENcode

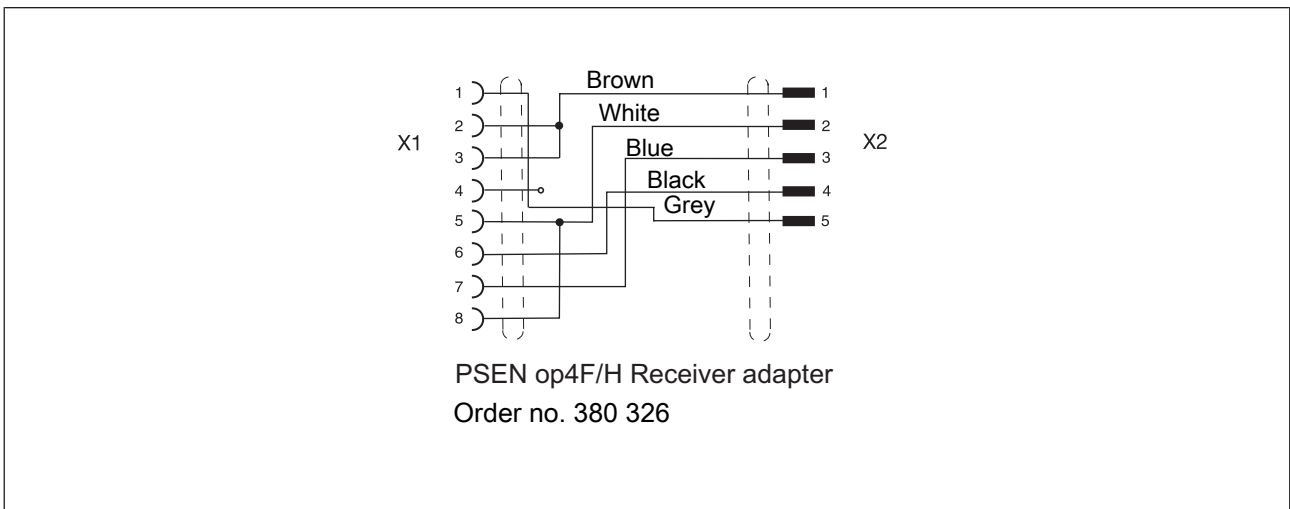


PSEN adapt PSS67/PDP67

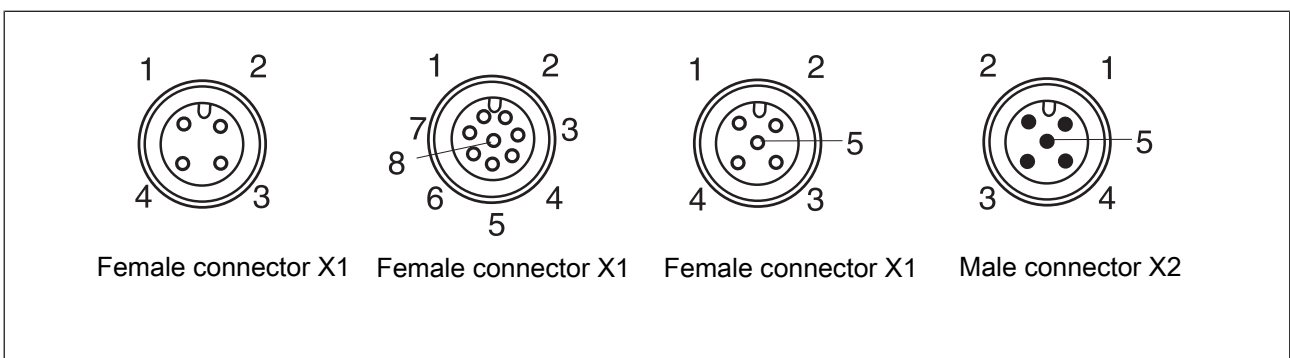
Adapter for safety gate system PSENslock



Adapter for Decentralised periphery PDP67



Pin assignment



PSEN adapt PSS67/PDP67

Technical details Order no. 380300 - 380302

General	380300	380301	380302
Approvals	-	-	-
Electrical data	380300	380301	380302
Rated voltage			
Voltage UB	60 V	30 V	60 V
Rated current	4 A	2 A	4 A
Test voltage	2.500 V	2.000 V	2.500 V
Typ. conductor resistance K1	55 Ohm/km	-	55 Ohm/km
Insulation resistance	100 MOhm	100 MOhm	100 MOhm
Volume resistance	3 mOhm	3 mOhm	3 mOhm
Specific volume resistance K1	>= 1E+14 Ohm*cm	-	>= 1E+14 Ohm*cm
Environmental data	380300	380301	380302
Ambient temperature			
Temperature range	-5 - 80 °C	-25 - 60 °C	-5 - 80 °C
Airgap creepage			
Pollution degree	3	3	3
Protection type			
X1 when inserted	IP68	IP68	IP68
X2 when inserted	IP68	IP68	IP68
Housing	IP68	IP68	IP68
Mechanical data	380300	380301	380302
Plug-in connector X1	M12, 4-pin female connector	M12, 8-pin female connector	M12, 4-pin female connector
In accordance with the standard	EN 61076-2-101	EN 61076-2-101	EN 61076-2-101
Form, plug-in connector X1	Straight	Straight	Straight
Plug-in connector X2	M12, 5-pin male connector	M12, 5-pin male connector	M12, 5-pin male connector
In accordance with the standard	EN 61076-2-101	EN 61076-2-101	EN 61076-2-101
Form, plug-in connector X2	Straight	Straight	Straight
Housing material X1	PUR	PUR	PUR
Housing material X2	PUR	PUR	PUR
Material of contact surface X1	Au	Au	Au
Material of contact surface X2	Au	Au	Au

PSEN adapt PSS67/PDP67

Mechanical data	380300	380301	380302
Material of pin	CuZn	CuZn	CuZn
Material of socket	CuSn	CuSn	CuSn
Conductor material K1	Cu	Cu	Cu
Insulating cover for conductor K1	PVC	PP (9Y)	PVC
Mating cycles X1	100	100	100
Mating cycles X2	100	100	100
Cable type K1	LifY-11Y	–	LifY-11Y
Cable length L1	0,1 m	0,1 m	0,1 m
Material of shield surface cable K1	–	Sn	–
Colour of external cable insulation K1	black	black	black
Colour of housing	black	black	black
Cable insulation material K1	PUR	PUR, TPU 11YH1	PUR
Drag chain suitable K1	No	yes	No
Min. bending radius (fixed permanently) K1	–	5 x Ø	–
Min. bending radius (moving) K1	–	10 x Ø	–
Cable diameter K1	5 mm	5,7 mm	5 mm
Max. cable diameter K1	5,1 mm	5,9 mm	5,1 mm
Conductor cross section K1	0,34 mm ²	0,25 mm ²	0,34 mm ²
Conductor cross section AWG K1	22	24	22
Wire colour K1	Blue, black, brown, white	–	Brown, white, blue, black
Shielding K1	No	yes	No
Shield type K1	–	Wire mesh	–
Wire layer separation K1	No	yes	No
No. of wires K1	4	7	4
Halogen-free	yes	yes	yes
Silicone-free	yes	yes	yes
Oil resistance	Resistant	Resistant	Resistant
Non-flammability	–	UL FT2	–
Material			
Housing	PUR	PUR	PUR
Weight	25 g	30 g	25 g

PSEN adapt PSS67/PDP67

Technical details Order no. 380303 - 380305

General	380303	380304	380305
Approvals	-	-	-
Electrical data	380303	380304	380305
Rated voltage			
Voltage UB	60 V	60 V	60 V
Rated current	4 A	4 A	4 A
Test voltage	2.500 V	2.500 V	2.500 V
Typ. conductor resistance K1	55 Ohm/km	55 Ohm/km	-
Insulation resistance	100 MOhm	100 MOhm	100 MOhm
Volume resistance	3 mOhm	3 mOhm	3 mOhm
Specific volume resistance K1	>= 1E+14 Ohm*cm	>= 1E+14 Ohm*cm	-
Environmental data	380303	380304	380305
Ambient temperature			
Temperature range	-5 - 70 °C	-5 - 70 °C	-5 - 70 °C
Airgap creepage			
Pollution degree	3	3	3
Protection type			
X1 when inserted	IP68	IP68	IP68
X2 when inserted	IP68	IP68	IP68
Housing	IP68	IP68	IP68
Mechanical data	380303	380304	380305
Plug-in connector X1	M12, 4-pin female connector	M12, 4-pin female connector	M12, 5-pin female connector
In accordance with the standard	EN 61076-2-101	EN 61076-2-101	EN 61076-2-101
Form, plug-in connector X1	Straight	Straight	Straight
Plug-in connector X2	M12, 5-pin male connector	M12, 5-pin male connector	M12, 5-pin male connector
In accordance with the standard	EN 61076-2-101	EN 61076-2-101	EN 61076-2-101
Form, plug-in connector X2	Straight	Straight	Straight
Housing material X1	PUR	PUR	PUR
Housing material X2	PUR	PUR	PUR
Material of contact surface X1	Au	Au	Au
Material of contact surface X2	Au	Au	Au

PSEN adapt PSS67/PDP67

Mechanical data	380303	380304	380305
Material of pin	CuZn	CuZn	CuZn
Material of socket	CuSn	CuSn	CuSn
Conductor material K1	Cu	Cu	Cu
Insulating cover for conductor K1	PVC	PVC	PVC
Mating cycles X1	100	100	100
Mating cycles X2	100	100	100
Cable type K1	LifY-11Y	LifY-11Y	LiY11Y
Cable length L1	0,1 m	0,1 m	0,1 m
Colour of external cable insulation K1	black	black	black
Colour of housing	black	black	black
Cable insulation material K1	PUR	PUR	PUR
Drag chain suitable K1	No	No	No
Cable diameter K1	4,5 mm	4,5 mm	5 mm
Max. cable diameter K1	4,7 mm	4,7 mm	5,2 mm
Conductor cross section K1	0,34 mm²	0,34 mm²	0,25 mm²
Conductor cross section AWG K1	22	22	24
Wire colour K1	Brown, blue, black	Brown, blue, black	Brown, white, blue, black, grey
Stranding K1	–	–	5 cores around filler
Shielding K1	No	No	No
Wire layer separation K1	No	No	No
No. of wires K1	3	3	5
Halogen-free	yes	yes	yes
Silicone-free	yes	yes	yes
Oil resistance	Resistant	Resistant	Resistant
Material			
Housing	PUR	PUR	PUR
Weight	24 g	24 g	25 g

Technical details Order no. 380306 - 380322

General	380306	380307	380322
Approvals	-	-	-
Electrical data	380306	380307	380322
Rated voltage			
Voltage UB	30 V	30 V	60 V

PSEN adapt PSS67/PDP67

Electrical data	380306	380307	380322
Rated current	2 A	2 A	4 A
Test voltage	2.000 V	2.000 V	2.500 V
Typ. conductor resistance K1	–	–	55 Ohm/km
Insulation resistance	100 MOhm	100 MOhm	100 MOhm
Volume resistance	3 mOhm	3 mOhm	3 mOhm
Specific volume resistance K1	–	–	>= 1E+14 Ohm*cm
Environmental data	380306	380307	380322
Ambient temperature			
Temperature range	-25 - 60 °C	-25 - 60 °C	-5 - 70 °C
Airgap creepage			
Pollution degree	3	3	3
Protection type			
X1 when inserted	IP68	IP68	IP68
X2 when inserted	IP68	IP68	IP68
Housing	IP68	IP68	IP68
Mechanical data	380306	380307	380322
Plug-in connector X1	M12, 8-pin female connector	M12, 8-pin female connector	M12, 4-pin female connector
In accordance with the standard	EN 61076-2-101	EN 61076-2-101	EN 61076-2-101
Form, plug-in connector X1	Straight	Straight	Straight
Plug-in connector X2	M12, 5-pin male connector	M12, 5-pin male connector	M12, 5-pin male connector
In accordance with the standard	EN 61076-2-101	EN 61076-2-101	EN 61076-2-101
Form, plug-in connector X2	Straight	Straight	Straight
Housing material X1	PUR	PUR	PUR
Housing material X2	PUR	PUR	PUR
Material of contact surface X1	Au	Au	Au
Material of contact surface X2	Au	Au	Au
Material of pin	CuZn	CuZn	CuZn
Material of socket	CuSn	CuSn	CuSn
Conductor material K1	Cu	Cu	Cu
Insulating cover for conductor K1	PP (9Y)	PP (9Y)	PVC
Mating cycles X1	100	100	100
Mating cycles X2	100	100	100

PSEN adapt PSS67/PDP67

Mechanical data	380306	380307	380322
Cable type K1	–	–	LifY-11Y
Cable length L1	0,1 m	0,1 m	0,1 m
Material of shield surface cable K1	Sn	Sn	–
Colour of external cable insulation K1	black	black	black
Colour of housing	black	black	black
Cable insulation material K1	PUR, TPU 11YH1	PUR, TPU 11YH1	PUR
Drag chain suitable K1	yes	yes	No
Min. bending radius (fixed permanently) K1	5 x Ø	5 x Ø	–
Min. bending radius (moving) K1	10 x Ø	10 x Ø	–
Cable diameter K1	5,7 mm	5,7 mm	4,5 mm
Max. cable diameter K1	5,9 mm	5,9 mm	4,7 mm
Conductor cross section K1	0,25 mm²	0,25 mm²	0,34 mm²
Conductor cross section AWG K1	24	24	22
Wire colour K1	–	–	Brown, blue, black
Shielding K1	yes	yes	No
Shield type K1	Wire mesh	Wire mesh	–
Wire layer separation K1	yes	yes	No
No. of wires K1	7	7	3
Halogen-free	yes	yes	yes
Silicone-free	yes	yes	yes
Oil resistance	Resistant	Resistant	Resistant
Non-flammability	UL FT2	UL FT2	–
Material			
Housing	PUR	PUR	PUR
Weight	29 g	29 g	24 g

Technical details Order no. 380323 - 380326

General	380323	380325	380326
Approvals	-	-	-
Electrical data	380323	380325	380326
Rated voltage			
Voltage UB	60 V	30 V	30 V
Rated current	4 A	2 A	2 A

PSEN adapt PSS67/PDP67

Electrical data	380323	380325	380326
Test voltage	2.500 V	2.000 V	3.000 V
Typ. conductor resistance K1	55 Ohm/km	–	79 Ohm/km
Insulation resistance	100 MOhm	100 MOhm	100 MOhm
Volume resistance	3 mOhm	3 mOhm	3 mOhm
Specific volume resistance K1	>= 1E+14 Ohm*cm	–	>= 7E+15 Ohm*cm
Environmental data	380323	380325	380326
Ambient temperature			
Temperature range	-5 - 70 °C	-25 - 60 °C	-25 - 85 °C
Storage temperature			
Temperature range	–	–	-40 - 80 °C
Airgap creepage			
Pollution degree	3	3	3
Protection type			
X1 when inserted	IP68	IP68	IP68
X2 when inserted	IP68	IP68	IP68
Housing	IP68	IP68	–
Mechanical data	380323	380325	380326
Plug-in connector X1	M12, 4-pin female connector	M12, 8-pin female connector	M12, 8-pin female connector
In accordance with the standard	EN 61076-2-101	EN 61076-2-101	EN 61076-2-101
Form, plug-in connector X1	Straight	Straight	Straight
Plug-in connector X2	M12, 5-pin male connector	M12, 5-pin male connector	M12, 5-pin male connector
In accordance with the standard	EN 61076-2-101	EN 61076-2-101	EN 61076-2-101
Form, plug-in connector X2	Straight	Straight	Straight
Housing material X1	PUR	PUR	PUR
Housing material X2	PUR	PUR	PUR
Material of contact surface X1	Au	Au	Au
Material of contact surface X2	Au	Au	Au
Material of pin	CuZn	CuZn	CuZn
Material of socket	CuSn	CuSn	CuSn
Conductor material K1	Cu	Cu	Cu
Insulating cover for conductor K1	PVC	PP (9Y)	PP (9Y)
Mating cycles X1	100	100	100

PSEN adapt PSS67/PDP67

Mechanical data	380323	380325	380326
Mating cycles X2	100	100	100
Cable type K1	LifY-11Y	–	LiF9Y11Y
Cable length L1	0,1 m	0,1 m	0,1 m
Material of shield surface cable K1	–	Sn	–
Colour of external cable insulation K1	black	black	Yellow, similar to RAL1003
Colour of housing	black	black	black
Cable insulation material K1	PUR	PUR, TPU 11YH1	PUR, TPU / TPE-U
Drag chain suitable K1	No	yes	No
Min. bending radius (fixed permanently) K1	–	5 x Ø	5 x Ø
Min. bending radius (moving) K1	–	10 x Ø	10 x Ø
Cable diameter K1	4,5 mm	5,7 mm	4,85 mm
Max. cable diameter K1	4,7 mm	5,9 mm	4,95 mm
Conductor cross section K1	0,34 mm ²	0,25 mm ²	0,25 mm ²
Conductor cross section AWG K1	22	24	24
Wire colour K1	Brown, blue, black	–	Brown, white, blue, black, grey
Stranding K1	–	–	4 cores
Shielding K1	No	yes	No
Shield type K1	–	Wire mesh	–
Wire layer separation K1	No	yes	No
No. of wires K1	3	7	4
Approval cable K1	–	–	UL AWM-Style 20233, UL/CSA
Halogen-free	yes	yes	yes
Silicone-free	yes	yes	yes
Oil resistance	Resistant	Resistant	Resistant
Non-flammability	–	UL FT2	UL VW1
Material			
Housing	PUR	PUR	PUR
Weight	24 g	38 g	26 g

PSEN adapt PSS67/PDP67

Order references

Product type	Features	Connector X1	Connector X2	Connector X3	Order no.
PSEN ma adapter	Adapter for PSENmag/PIT en1.0	4-pin M12 female connector	5-pin M12 male connector		380 300
PSEN cs adapter	Adapter for PSENcode	8-pin M12 female connector	5-pin M12 male connector		380 301
PSEN op1.1 adapter	Adapter for PSEN op1.1/ PSEN op1.3	4-pin M12 female connector	5-pin M12 male connector		380 302
PSEN op1.2 adapter	Adapter for PSEN op1.2	4-pin M12 female connector	5-pin M12 male connector		380 303
PSEN opt M12 Transmitter adapter	Adapter for PSEN opt transmitter	4-pin M12 female connector	5-pin M12 male connector		380 304
PSEN op 2H Receiver adapter	Adapter for PSEN op2H receiver	5-pin M12 female connector	5-pin M12 male connector		380 305
PSEN op M12 V1 Receiver adapter	Adapter for PSEN op4F-s/ PSEN op4H-s/ PSEN op4F-m/ PSEN op4H-M receiver	8-pin M12 female connector	5-pin M12 male connector		380 306
PSEN op M12 V2 Receiver adapter	Adapter for PSEN op2B/ PSEN op4F/ PSEN op4H/ PSEN op4B receiver	8-pin M12 female connector	5-pin M12 male connector		380 307
PSEN op2/4 M12 Transmitter ad	Adapter for PSEN op2S-1-1/ PSEN op4S-1-1/ PSEN op4S-1-2 transmitter	4-pin M12 female connector	5-pin M12 male connector		380 322
PSEN op2/4 M12 Receiver ad	Adapter for PSEN op2S-1-1/ PSEN op4S-1-1/ PSEN op4S-1-2 receiver	4-pin M12 female connector	5-pin M12 male connector		380 323

PSEN adapt PSS67/PDP67

Product type	Features	Connector X1	Connector X2	Connector X3	Order no.
PSEN sl adapter	Adapter for PSEnSlock	8-pin M12 female connector	5-pin M12 male connector		380 325
PSEN op4F/H Receiver adapter	Adapter for PDP67	8-pin M12 female connector	5-pin M12 male connector		380 326