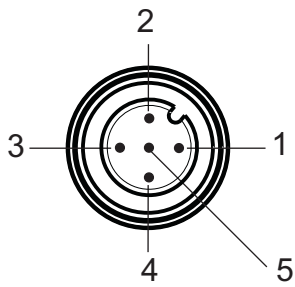
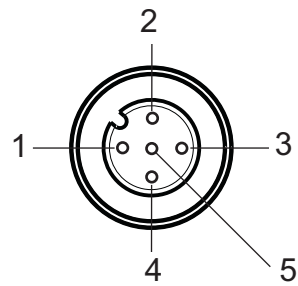


PSS67/PDP67 M12 5p

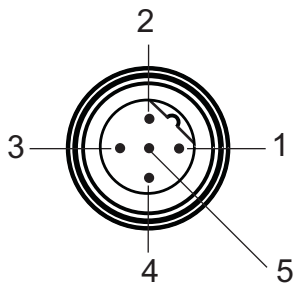
Connector pin assignment



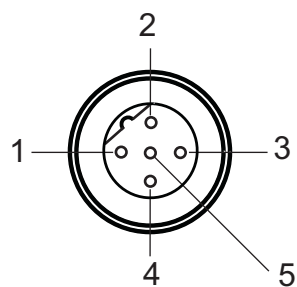
Plan view of connector X1
Order no. 380 308, 380 310



Plan view of connector X1
Order no. 380 309, 380 311



Plan view of connector X1
Order no. 380 312, 380 314

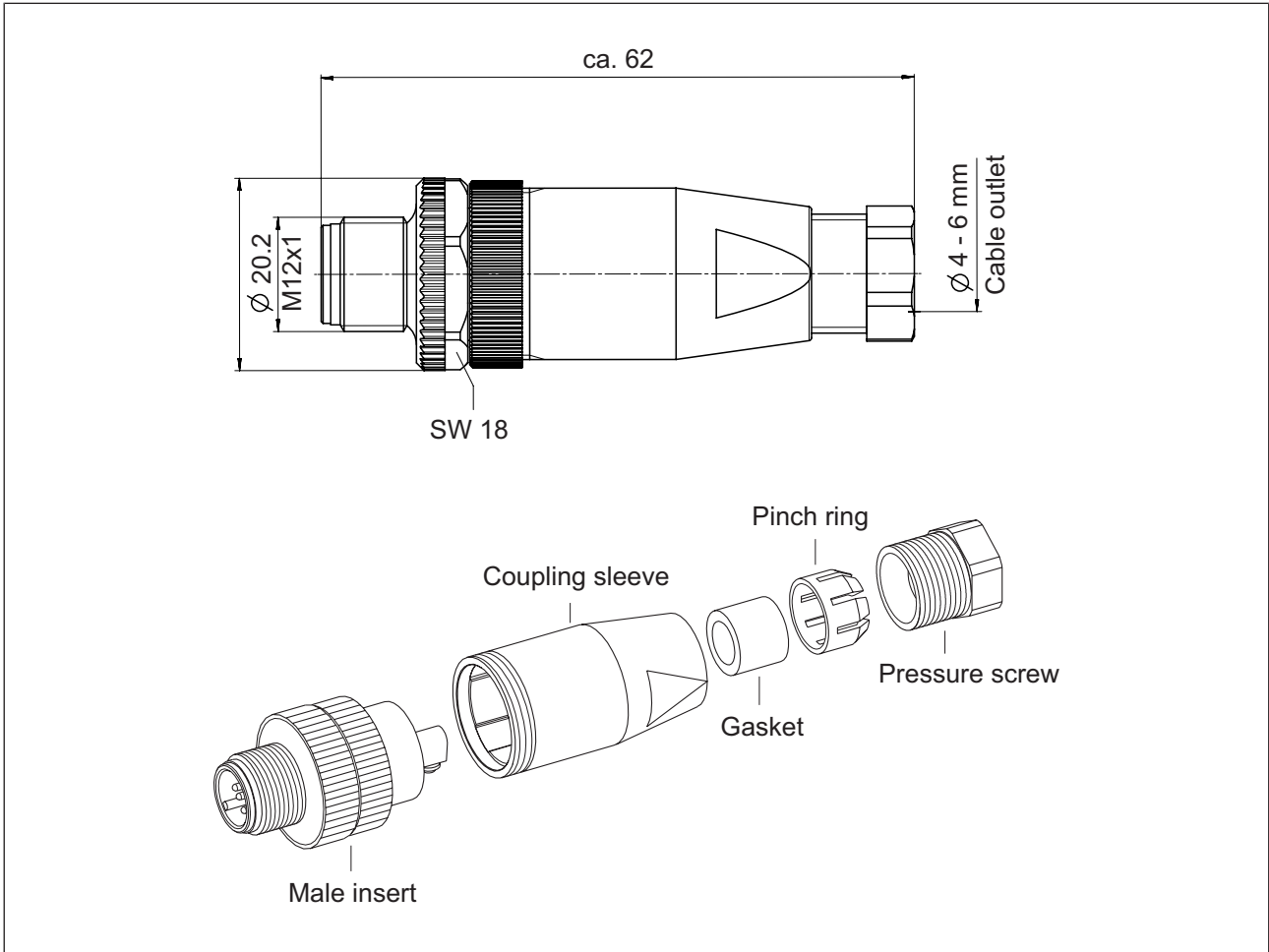


Plan view of connector X1
Order no. 380 313, 380 315

PSS67/PDP67 M12 5p

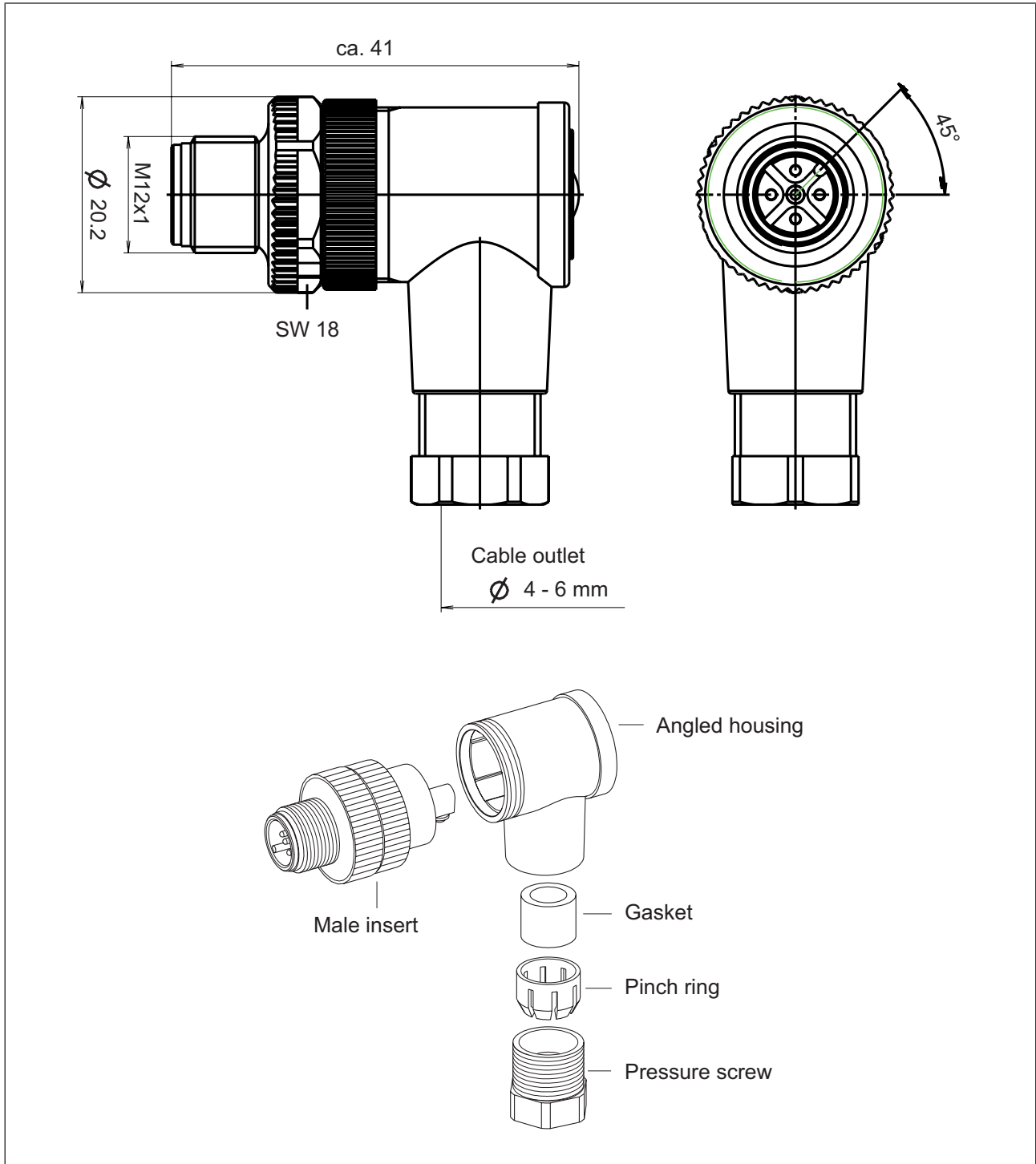
Dimensions

- ▶ M12 male connector, straight:



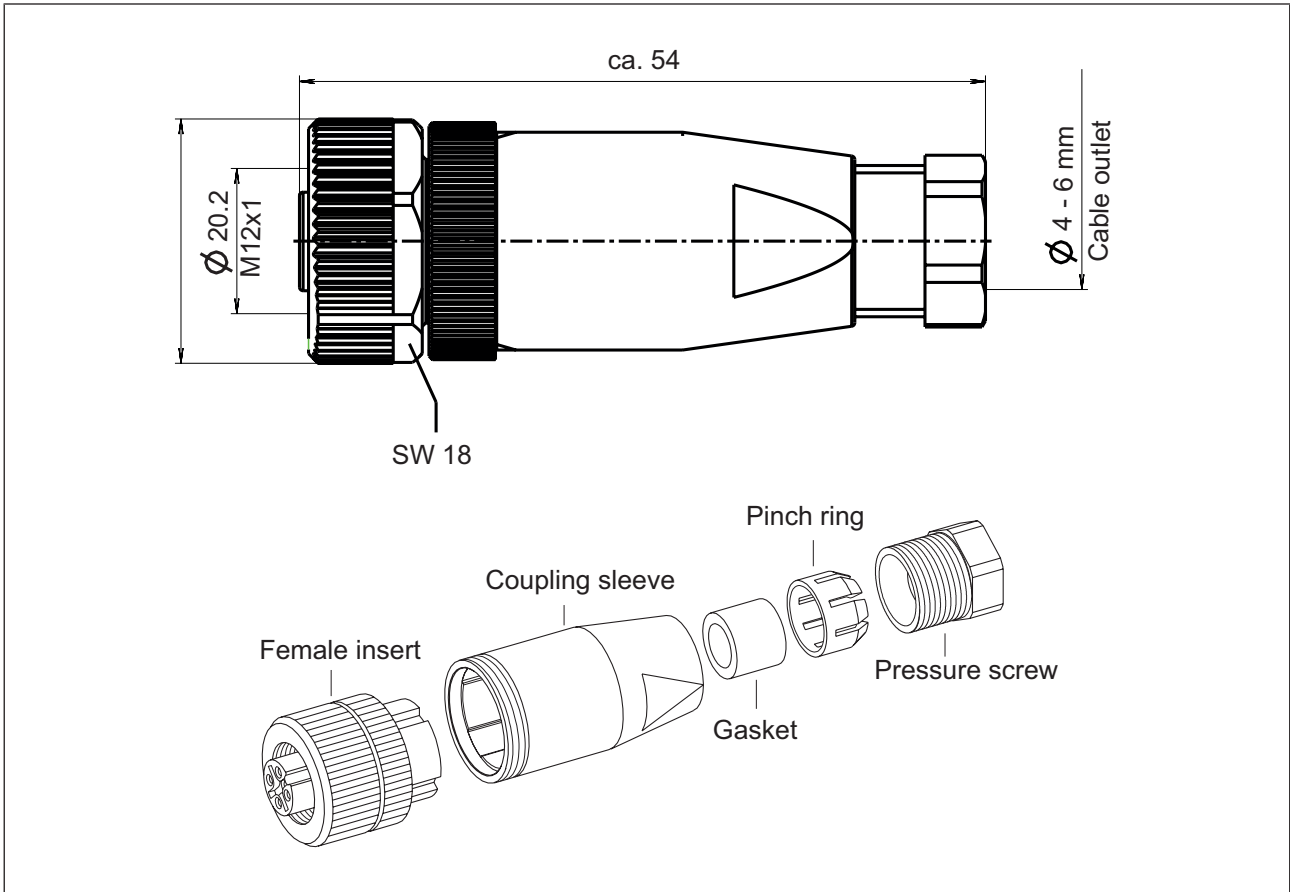
PSS67/PDP67 M12 5p

► M12 male connector, angled:



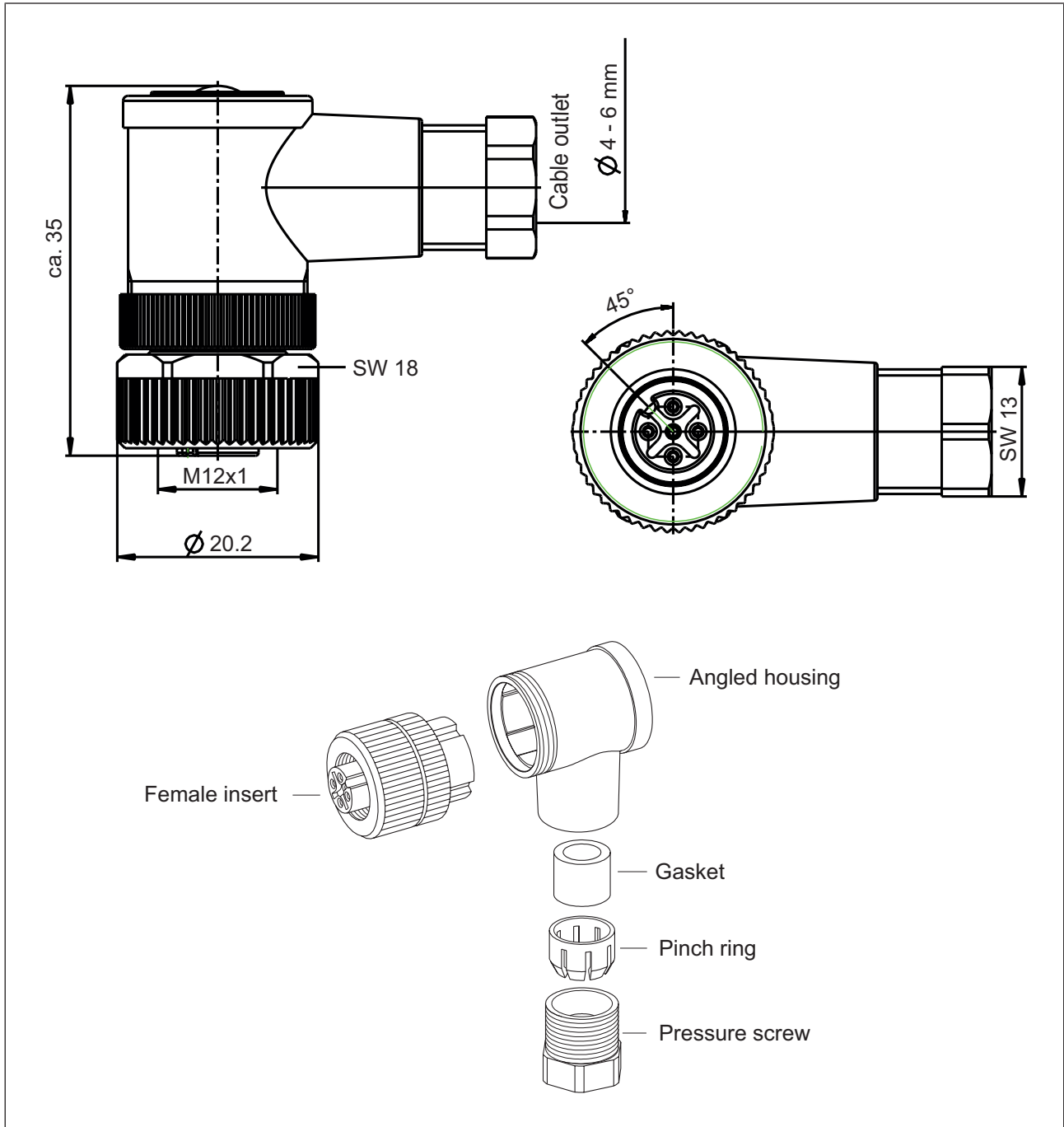
PSS67/PDP67 M12 5p

► M12 female connector, straight:



PSS67/PDP67 M12 5p

► M12 female connector, angled:



PSS67/PDP67 M12 5p

Technical details Order no. 380308 - 380310

General	380308	380309	380310
Approvals	cULus Recognized	cULus Recognized	cULus Recognized
Electrical data	380308	380309	380310
Rated voltage			
Voltage UB	60 V	60 V	60 V
Rated current	4 A	4 A	4 A
Insulation resistance	10000 MOhm	10000 MOhm	10000 MOhm
Volume resistance	8 mOhm	8 mOhm	8 mOhm
Environmental data	380308	380309	380310
Ambient temperature			
Temperature range	-40 - 85 °C	-40 - 85 °C	-40 - 85 °C
Airgap creepage			
Overvoltage category	II	II	II
Pollution degree	3	3	3
Protection type			
X1 when inserted	IP67	IP67	IP67
Housing	IP67	IP67	IP67
Mechanical data	380308	380309	380310
Plug-in connector X1	M12, 5-pin male connector	M12, 5-pin female connector	M12, 5-pin male connector
In accordance with the standard	EN 61076-2-101	EN 61076-2-101	EN 61076-2-101
Form, plug-in connector X1	Straight	Straight	Angled
Housing material X1	PA 66	PA 66	PA 66
Material of contact surface X1	–	–	–
Material of pin	CuZn	–	CuZn
Material of socket	–	CuSn	–
Mating cycles X1	500	500	500
Colour of housing	black	black	black
Max. conductor cross section K1	0,75 mm²	0,75 mm²	0,75 mm²
Max. conductor cross section AWG K1	18	18	18
Approval of plug-in connector X1	UL 94 HB	UL 94 HB	UL 94 HB
Weight	21 g	24 g	21 g

PSS67/PDP67 M12 5p

Technical details Order no. 380311 - 380313

General	380311	380312	380313
Approvals	cULus Recognized	cULus Recognized	cULus Recognized
Electrical data	380311	380312	380313
Rated voltage			
Voltage UB	60 V	60 V	60 V
Rated current	4 A	4 A	4 A
Insulation resistance	10000 MOhm	10000 MOhm	10000 MOhm
Volume resistance	8 mOhm	8 mOhm	8 mOhm
Environmental data	380311	380312	380313
Ambient temperature			
Temperature range	-40 - 85 °C	-40 - 85 °C	-40 - 85 °C
Airgap creepage			
Overvoltage category	II	II	II
Pollution degree	3	3	3
Protection type			
X1 when inserted	IP67	IP67	IP67
Housing	IP67	IP67	IP67
Mechanical data	380311	380312	380313
Plug-in connector X1	M12, 5-pin female connector	M12, 5-pin male connector	M12, 5-pin female connector
In accordance with the standard	EN 61076-2-101	EN 61076-2-101	EN 61076-2-101
Form, plug-in connector X1	Angled	Straight	Straight
Coding of plug-in connector X1	–	B-coded	B-coded
Housing material X1	PA 66	PA 66	PA 66
Material of contact surface X1	–	–	–
Material of pin	–	CuZn	–
Material of socket	CuSn	–	CuSn
Mating cycles X1	500	500	500
Colour of housing	black	black	black
Max. conductor cross section K1	0,75 mm²	0,75 mm²	0,75 mm²
Max. conductor cross section AWG K1	18	18	18
Approval of plug-in connector X1	UL 94 HB	UL 94 HB	UL 94 HB
Weight	25 g	22 g	15 g

PSS67/PDP67 M12 5p

Technical details Order no. 380314 - 380315

General	380314	380315
Approvals	-	cULus Recognized
Electrical data	380314	380315
Rated voltage		
Voltage UB	125 V	60 V
Rated current	4 A	4 A
Insulation resistance	-	10000 MOhm
Volume resistance	8 mOhm	8 mOhm
Environmental data	380314	380315
Ambient temperature		
Temperature range	-40 - 85 °C	-40 - 85 °C
Airgap creepage		
Overvoltage category	II	II
Pollution degree	3	3
Protection type		
X1 when inserted	IP67	IP67
Housing	IP67	IP67
Mechanical data	380314	380315
Plug-in connector X1	M12, 5-pin male connector	M12, 5-pin female connector
In accordance with the standard	-	EN 61076-2-101
Form, plug-in connector X1	Angled	Angled
Coding of plug-in connector X1	B-coded	B-coded
Housing material X1	PA	PA 66
Material of contact surface X1	-	-
Material of pin	CuZn	-
Material of socket	-	CuSn
Mating cycles X1	50	500
Colour of housing	black	black
Max. conductor cross section K1	0,75 mm²	0,75 mm²
Max. conductor cross section AWG K1	18	18
Approval of plug-in connector X1	-	UL 94 HB
Weight	24 g	15 g

PSS67/PDP67 M12 5p

Order reference

Product type	Features	Connector X1	Connector X2	Connector X3	Order no.
PSS67 M12 connector, straight, male, 5pole		M12, 5-pin male connector, straight			380 308
PSS67 M12 connector, straight, male, 5pole		M12, 5-pin female connector, straight			380 309
PSS67 M12 connector, angled, male, 5pole		M12, 5-pin male connector, angled			380 310
PSS67 M12 connector, angled, female, 5pole		M12, 5-pin female connector, angled			380 311
PSS67 M12 connector, straight, male, 5poleB		M12, 5-pin male connector, straight, B-coded			380 312
PSS67 M12 con., straight, female, 5pole, B		M12, 5-pin female connector, straight, B-coded			380 313
PSS67 M12 connector, angled, male, 5pole, B		M12, 5-pin male connector, angled, B-coded			380 314
PSS67 M12 con., angled, female, 5pole, B		M12, 5-pin female connector, angled, B-coded			380 315