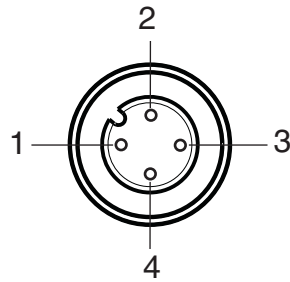


## PSEN op Cable M12 4p sh

### Connector pin assignment

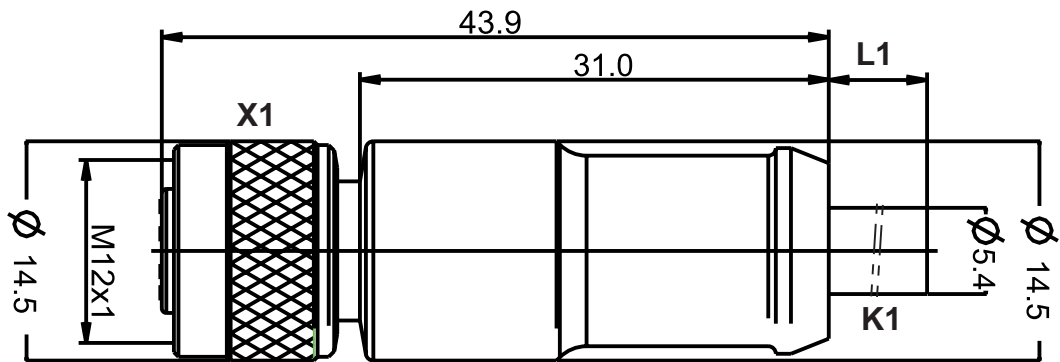
Colour coding	
1	brown
2	white
3	blue
4	black
Shield	Shield sleeve



Plan view plug-in connector X1

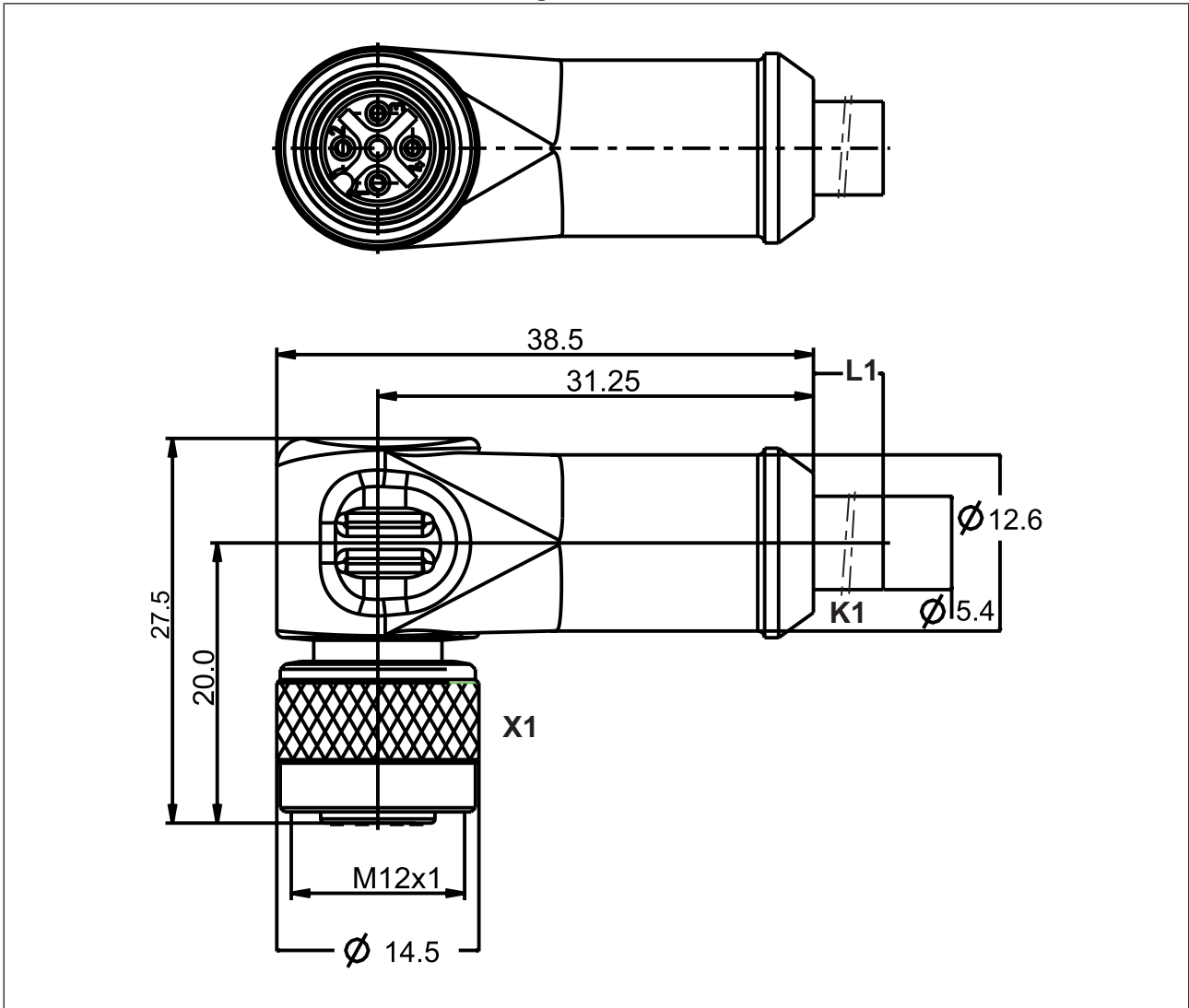
### Dimensions

► M12 female connector, straight:



PSEN op Cable M12 4p sh

▶ M12 female connector, angled:



## PSEN op Cable M12 4p sh

## Technical details Order no. 630270 - 630304

General	630270	630303	630304
Approvals	-	cULus Listed	cULus Listed
Electrical data	630270	630303	630304
Rated voltage			
Voltage UB	30 V	30 V	30 V
Rated current	4 A	4 A	4 A
Test voltage	3.000 V	3.000 V	3.000 V
Typ. conductor resistance K1	57 Ohm/km	57 Ohm/km	57 Ohm/km
Insulation resistance	100 MOhm	100 MOhm	100 MOhm
Volume resistance	3 mOhm	3 mOhm	3 mOhm
Specific volume resistance K1	$\geq 7E+15$ Ohm*km	$\geq 7E+15$ Ohm*km	$\geq 7E+15$ Ohm*km
Specific cable capacitance K1	65,6pF/m	65,6pF/m	65,6pF/m
Environmental data	630270	630303	630304
Ambient temperature			
Temperature range	-25 - 80 °C	-25 - 80 °C	-25 - 80 °C
Airgap creepage			
Pollution degree	3	3	3
Protection type			
X1 when inserted	IP67	IP67	IP67
Housing	IP67	IP67	IP67
Mechanical data	630270	630303	630304
Plug-in connector X1	M12, 4-pin female connector	M12, 4-pin female connector	M12, 4-pin female connector
In accordance with the standard	EN 61076-2-101	EN 61076-2-101	EN 61076-2-101
Form, plug-in connector X1	Straight	Straight	Straight
Housing material X1	PUR	PUR	PUR
Material of contact surface X1	Au	Au	Au
Material of socket	CuSn	CuSn	CuSn
Conductor material K1	Cu	Cu	Cu

## PSEN op Cable M12 4p sh

Mechanical data	630270	630303	630304
Insulating cover for conductor K1	PP (9Y)	PP (9Y)	PP (9Y)
Mating cycles X1	100	100	100
Cable type K1	Li9YC11Y	Li9YC11Y	Li9YC11Y
Cable length L1	20 m	3 m	5 m
Material of shield surface cable K1	Sn	Sn	Sn
Colour of external cable insulation K1	Yellow, similar to RAL1003	Yellow, similar to RAL1003	Yellow, similar to RAL1003
Colour of housing	black	black	black
Min. bending radius (fixed permanently) K1	5 x Ø	5 x Ø	5 x Ø
Min. bending radius (moving) K1	10 x Ø	10 x Ø	10 x Ø
Cable insulation material K1	PUR, TPU 11YH1	PUR, TPU 11YH1	PUR, TPU 11YH1
Drag chain suitable K1	No	No	No
Cable diameter K1	5,4 mm	5,4 mm	5,4 mm
Max. cable diameter K1	5,55 mm	5,55 mm	5,55 mm
Conductor cross section K1	0,34 mm <sup>2</sup>	0,34 mm <sup>2</sup>	0,34 mm <sup>2</sup>
Conductor cross section AWG K1	22	22	22
Wire colour K1	Brown, white, blue, black	Brown, white, blue, black	Brown, white, blue, black
Shielding K1	yes	yes	yes
Shield type K1	Wire mesh	Wire mesh	Wire mesh
Wire layer separation K1	yes	yes	yes
No. of wires K1	4	4	4
Approval cable K1	UL AWM-Style 20233, UL/CSA	UL AWM-Style 20233, UL/CSA	UL AWM-Style 20233, UL/CSA
Approval of plug-in connector X1	UL94 V-0	UL94 V-0	UL94 V-0
Halogen-free	yes	yes	yes
Silicone-free	yes	yes	yes
Oil resistance	Resistant	Resistant	Resistant
Non-flammability	UL VW1	UL VW1	UL VW1

## PSEN op Cable M12 4p sh

<b>Mechanical data</b>	<b>630270</b>	<b>630303</b>	<b>630304</b>
Material			
Housing	<b>PUR</b>	<b>PUR</b>	<b>PUR</b>
Weight	<b>882 g</b>	<b>161 g</b>	<b>254 g</b>

### Technical details Order no. 630305 - 630307

<b>General</b>	<b>630305</b>	<b>630306</b>	<b>630307</b>
Approvals	<b>cULus Listed</b>	<b>cULus Listed</b>	<b>cULus Listed</b>
<b>Electrical data</b>	<b>630305</b>	<b>630306</b>	<b>630307</b>
Rated voltage			
Voltage UB	<b>30 V</b>	<b>30 V</b>	<b>30 V</b>
Rated current	<b>4 A</b>	<b>4 A</b>	<b>4 A</b>
Test voltage	<b>3.000 V</b>	<b>3.000 V</b>	<b>3.000 V</b>
Typ. conductor resistance			
K1	<b>57 Ohm/km</b>	<b>57 Ohm/km</b>	<b>57 Ohm/km</b>
Insulation resistance	<b>100 MOhm</b>	<b>100 MOhm</b>	<b>100 MOhm</b>
Volume resistance	<b>3 mOhm</b>	<b>3 mOhm</b>	<b>3 mOhm</b>
Specific volume resistance			
K1	<b>&gt;= 7E+15 Ohm*km</b>	<b>&gt;= 7E+15 Ohm*km</b>	<b>&gt;= 7E+15 Ohm*km</b>
Specific cable capacitance			
K1	<b>65,6pF/m</b>	<b>65,6pF/m</b>	<b>65,6pF/m</b>
<b>Environmental data</b>	<b>630305</b>	<b>630306</b>	<b>630307</b>
Ambient temperature			
Temperature range	<b>-25 - 80 °C</b>	<b>-25 - 80 °C</b>	<b>-25 - 80 °C</b>
Airgap creepage			
Pollution degree	<b>3</b>	<b>3</b>	<b>3</b>
Protection type			
X1 when inserted	<b>IP67</b>	<b>IP67</b>	<b>IP67</b>
Housing	<b>IP67</b>	<b>IP67</b>	<b>IP67</b>
<b>Mechanical data</b>	<b>630305</b>	<b>630306</b>	<b>630307</b>
Plug-in connector X1	<b>M12, 4-pin female connector</b>	<b>M12, 4-pin female connector</b>	<b>M12, 4-pin female connector</b>
In accordance with the standard	<b>EN 61076-2-101</b>	<b>EN 61076-2-101</b>	<b>EN 61076-2-101</b>
Form, plug-in connector X1	<b>Straight</b>	<b>Angled</b>	<b>Angled</b>

## PSEN op Cable M12 4p sh

Mechanical data	630305	630306	630307
Housing material X1	PUR	PUR	PUR
Material of contact surface X1	Au	Au	Au
Material of socket	CuSn	CuSn	CuSn
Conductor material K1	Cu	Cu	Cu
Insulating cover for conductor K1	PP (9Y)	PP (9Y)	PP (9Y)
Mating cycles X1	100	100	100
Cable type K1	Li9YC11Y	Li9YC11Y	Li9YC11Y
Cable length L1	10 m	3 m	5 m
Material of shield surface cable K1	Sn	Sn	Sn
Colour of external cable insulation K1	Yellow, similar to RAL1003	Yellow, similar to RAL1003	Yellow, similar to RAL1003
Colour of housing	black	black	black
Min. bending radius (fixed permanently) K1	5 x Ø	5 x Ø	5 x Ø
Min. bending radius (moving) K1	10 x Ø	10 x Ø	10 x Ø
Cable insulation material K1	PUR, TPU 11YH1	PUR, TPU 11YH1	PUR, TPU 11YH1
Drag chain suitable K1	No	No	No
Cable diameter K1	5,4 mm	5,4 mm	5,4 mm
Max. cable diameter K1	5,55 mm	5,55 mm	5,55 mm
Conductor cross section K1	0,34 mm <sup>2</sup>	0,34 mm <sup>2</sup>	0,34 mm <sup>2</sup>
Conductor cross section AWG K1	22	22	22
Wire colour K1	Brown, white, blue, black	Brown, white, blue, black	Brown, white, blue, black
Shielding K1	yes	yes	yes
Shield type K1	Wire mesh	Wire mesh	Wire mesh
Wire layer separation K1	yes	yes	yes
No. of wires K1	4	4	4
Approval cable K1	UL AWM-Style 20233, UL/CSA	UL AWM-Style 20233, UL/CSA	UL AWM-Style 20233, UL/CSA

## PSEN op Cable M12 4p sh

Mechanical data	630305	630306	630307
Approval of plug-in connector X1	UL94 V-0	UL94 V-0	UL94 V-0
Halogen-free	yes	yes	yes
Silicone-free	yes	yes	yes
Oil resistance	Resistant	Resistant	Resistant
Non-flammability	UL VW1	UL VW1	UL VW1
Material			
Housing	PUR	PUR	PUR
Weight	498 g	163 g	261 g

### Technical details Order no. 630308 - 630319

General	630308	630309	630319
Approvals	cULus Listed	cULus Listed	cULus Listed
Electrical data	630308	630309	630319
Rated voltage			
Voltage UB	30 V	30 V	30 V
Rated current	4 A	4 A	4 A
Test voltage	3.000 V	3.000 V	3.000 V
Typ. conductor resistance			
K1	57 Ohm/km	57 Ohm/km	57 Ohm/km
Insulation resistance	100 MOhm	100 MOhm	100 MOhm
Volume resistance	3 mOhm	3 mOhm	3 mOhm
Specific volume resistance K1	$\geq 7E+15$ Ohm*km	$\geq 7E+15$ Ohm*km	$\geq 7E+15$ Ohm*km
Specific cable capacitance K1	65,6pF/m	65,6pF/m	65,6pF/m
Environmental data	630308	630309	630319
Ambient temperature			
Temperature range	-25 - 80 °C	-25 - 80 °C	-25 - 80 °C
Airgap creepage			
Pollution degree	3	3	3
Protection type			
X1 when inserted	IP67	IP67	IP67
Housing	IP67	IP67	IP67

## PSEN op Cable M12 4p sh

Mechanical data	630308	630309	630319
Plug-in connector X1	<b>M12, 4-pin female connector</b>	<b>M12, 4-pin female connector</b>	<b>M12, 4-pin female connector</b>
In accordance with the standard	<b>EN 61076-2-101</b>	<b>EN 61076-2-101</b>	<b>EN 61076-2-101</b>
Form, plug-in connector X1	<b>Angled</b>	<b>Straight</b>	<b>Angled</b>
Housing material X1	<b>PUR</b>	<b>PUR</b>	<b>PUR</b>
Material of contact surface X1	<b>Au</b>	<b>Au</b>	<b>Au</b>
Material of socket	<b>CuSn</b>	<b>CuSn</b>	<b>CuSn</b>
Conductor material K1	<b>Cu</b>	<b>Cu</b>	<b>Cu</b>
Insulating cover for conductor K1	<b>PP (9Y)</b>	<b>PP (9Y)</b>	<b>PP (9Y)</b>
Mating cycles X1	<b>100</b>	<b>100</b>	<b>100</b>
Cable type K1	<b>Li9YC11Y</b>	<b>Li9YC11Y</b>	<b>Li9YC11Y</b>
Cable length L1	<b>10 m</b>	<b>30 m</b>	<b>30 m</b>
Material of shield surface cable K1	<b>Sn</b>	<b>Sn</b>	<b>Sn</b>
Colour of external cable insulation K1	<b>Yellow, similar to RAL1003</b>	<b>Yellow, similar to RAL1003</b>	<b>Yellow, similar to RAL1003</b>
Colour of housing	<b>black</b>	<b>black</b>	<b>black</b>
Min. bending radius (fixed permanently) K1	<b>5 x Ø</b>	<b>5 x Ø</b>	<b>5 x Ø</b>
Min. bending radius (moving) K1	<b>10 x Ø</b>	<b>10 x Ø</b>	<b>10 x Ø</b>
Cable insulation material K1	<b>PUR, TPU 11YH1</b>	<b>PUR, TPU 11YH1</b>	<b>PUR, TPU 11YH1</b>
Drag chain suitable K1	<b>No</b>	<b>No</b>	<b>No</b>
Cable diameter K1	<b>5,4 mm</b>	<b>5,4 mm</b>	<b>5,4 mm</b>
Max. cable diameter K1	<b>5,55 mm</b>	<b>5,55 mm</b>	<b>5,55 mm</b>
Conductor cross section K1	<b>0,34 mm<sup>2</sup></b>	<b>0,34 mm<sup>2</sup></b>	<b>0,34 mm<sup>2</sup></b>
Conductor cross section AWG K1	<b>22</b>	<b>22</b>	<b>22</b>
Wire colour K1	<b>Brown, white, blue, black</b>	<b>Brown, white, blue, black</b>	<b>Brown, white, blue, black</b>
Shielding K1	<b>yes</b>	<b>yes</b>	<b>yes</b>



## PSEN op Cable M12 4p sh

Mechanical data	630308	630309	630319
Shield type K1	Wire mesh	Wire mesh	Wire mesh
Wire layer separation K1	yes	yes	yes
No. of wires K1	4	4	4
Approval cable K1	UL AWM-Style 20233, UL/CSA	UL AWM-Style 20233, UL/CSA	UL AWM-Style 20233, UL/CSA
Approval of plug-in connector X1	UL94 V-0	UL94 V-0	UL94 V-0
Halogen-free	yes	yes	yes
Silicone-free	yes	yes	yes
Oil resistance	Resistant	Resistant	Resistant
Non-flammability	UL VW1	UL VW1	UL VW1
Material			
Housing	PUR	PUR	PUR
Weight	503 g	1.454 g	1.434 g

### Technical details Order no. 630366 - 630367

General	630366	630367
Approvals	cULus Listed	cULus Listed
Electrical data	630366	630367
Rated voltage		
Voltage UB	30 V	30 V
Rated current	4 A	4 A
Test voltage	3.000 V	3.000 V
Typ. conductor resistance K1	57 Ohm/km	57 Ohm/km
Insulation resistance	100 MOhm	100 MOhm
Volume resistance	3 mOhm	3 mOhm
Specific volume resistance K1	$\geq 7E+15$ Ohm*km	$\geq 7E+15$ Ohm*km
Specific cable capacitance K1	65,6pF/m	65,6pF/m
Environmental data	630366	630367
Ambient temperature		
Temperature range	-25 - 80 °C	-25 - 80 °C
Airgap creepage		
Pollution degree	3	3

## PSEN op Cable M12 4p sh

<b>Environmental data</b>	<b>630366</b>	<b>630367</b>
Protection type		
X1 when inserted	<b>IP67</b>	<b>IP67</b>
Housing	<b>IP67</b>	<b>IP67</b>
<b>Mechanical data</b>	<b>630366</b>	<b>630367</b>
Plug-in connector X1	<b>M12, 4-pin female connector</b>	<b>M12, 4-pin female connector</b>
In accordance with the standard	<b>EN 61076-2-101</b>	<b>EN 61076-2-101</b>
Form, plug-in connector X1	<b>Straight</b>	<b>Angled</b>
Housing material X1	<b>PUR</b>	<b>PUR</b>
Material of contact surface X1	<b>Au</b>	<b>Au</b>
Material of socket	<b>CuSn</b>	<b>CuSn</b>
Conductor material K1	<b>Cu</b>	<b>Cu</b>
Insulating cover for conductor K1	<b>PP (9Y)</b>	<b>PP (9Y)</b>
Mating cycles X1	<b>100</b>	<b>100</b>
Cable type K1	<b>Li9YC11Y</b>	<b>Li9YC11Y</b>
Cable length L1	<b>50 m</b>	<b>50 m</b>
Material of shield surface cable K1	<b>Sn</b>	<b>Sn</b>
Colour of external cable insulation K1	<b>Yellow, similar to RAL1003</b>	<b>Yellow, similar to RAL1003</b>
Colour of housing	<b>black</b>	<b>black</b>
Min. bending radius (fixed permanently) K1	<b>5 x Ø</b>	<b>5 x Ø</b>
Min. bending radius (moving) K1	<b>10 x Ø</b>	<b>10 x Ø</b>
Cable insulation material K1	<b>PUR, TPU 11YH1</b>	<b>PUR, TPU 11YH1</b>
Drag chain suitable K1	<b>No</b>	<b>No</b>
Cable diameter K1	<b>5,4 mm</b>	<b>5,4 mm</b>
Max. cable diameter K1	<b>5,55 mm</b>	<b>5,55 mm</b>
Conductor cross section K1	<b>0,34 mm<sup>2</sup></b>	<b>0,34 mm<sup>2</sup></b>
Conductor cross section AWG K1	<b>22</b>	<b>22</b>
Wire colour K1	<b>Brown, white, blue, black</b>	<b>Brown, white, blue, black</b>
Shielding K1	<b>yes</b>	<b>yes</b>
Shield type K1	<b>Wire mesh</b>	<b>Wire mesh</b>
Wire layer separation K1	<b>yes</b>	<b>yes</b>
No. of wires K1	<b>4</b>	<b>4</b>
Approval cable K1	<b>UL AWM-Style 20233, UL/CSA</b>	<b>UL AWM-Style 20233, UL/CSA</b>
Approval of plug-in connector X1	<b>UL94 V-0</b>	<b>UL94 V-0</b>

## PSEN op Cable M12 4p sh

Mechanical data	630366	630367
Halogen-free	yes	yes
Silicone-free	yes	yes
Oil resistance	Resistant	Resistant
Non-flammability	UL VW1	UL VW1
Material		
Housing	PUR	PUR
Weight	2.130 g	2.135 g

### Order reference

Product type	Features	Connector X1	Connector X2	Order no.
PSEN op cable axial M12 4-p. shield. 3m	3 m	M12 female con- nector, straight		630 303
PSEN op cable axial M12 4-p. shield. 5m	5 m	M12 female con- nector, straight		630 304
PSEN op cable axial M12 4-p. shield. 10m	10 m	M12 female con- nector, straight		630 305
PSEN op cable axial M12 4-p. shield. 20m	20 m	M12 female con- nector, straight		630 270
PSEN op cable axial M12 4-p. shield. 30m	30 m	M12 female con- nector, straight		630 309
PSEN op cable axial M12 4-p. shield. 50m	50 m	M12 female con- nector, straight		630 366
PSEN op cable angle M12 4-p. shield. 3m	3 m	M12 female con- nector, angled		630 306
PSEN op cable angle M12 4-p. shield. 5m	5 m	M12 female con- nector, angled		630 307
PSEN op cable angle M12 4-p. shield. 10m	10 m	M12 female con- nector, angled		630 308
PSEN op cable angle M12 4-p. shield. 30m	30 m	M12 female con- nector, angled		630 319
PSEN op cable angle M12 4-p. shield. 50m	50 m	M12 female con- nector, angled		630 367