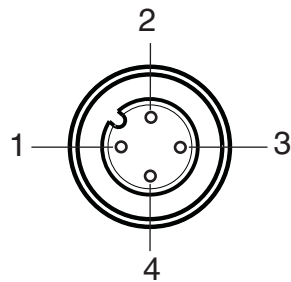


PSEN op Cable M12 4p

Connector pin assignment

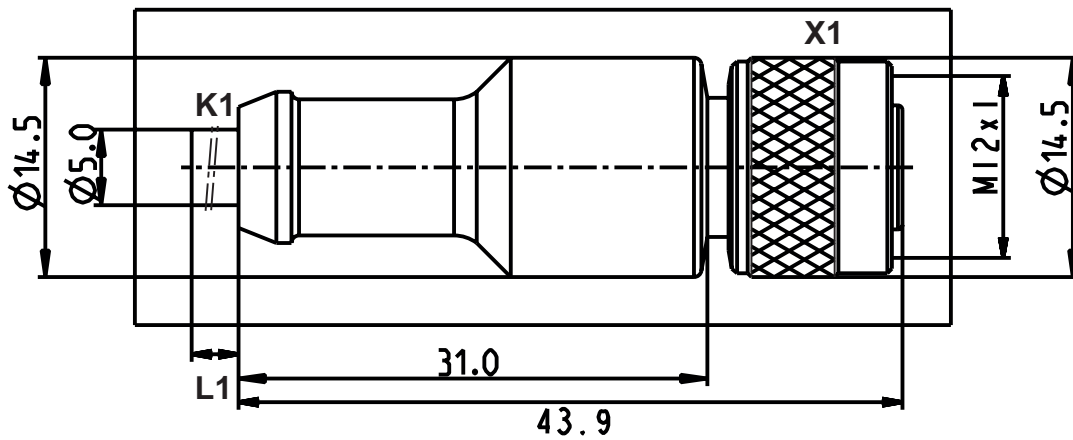
Colour coding	
1	brown
2	white
3	blue
4	black



Plan view plug-in connector X1

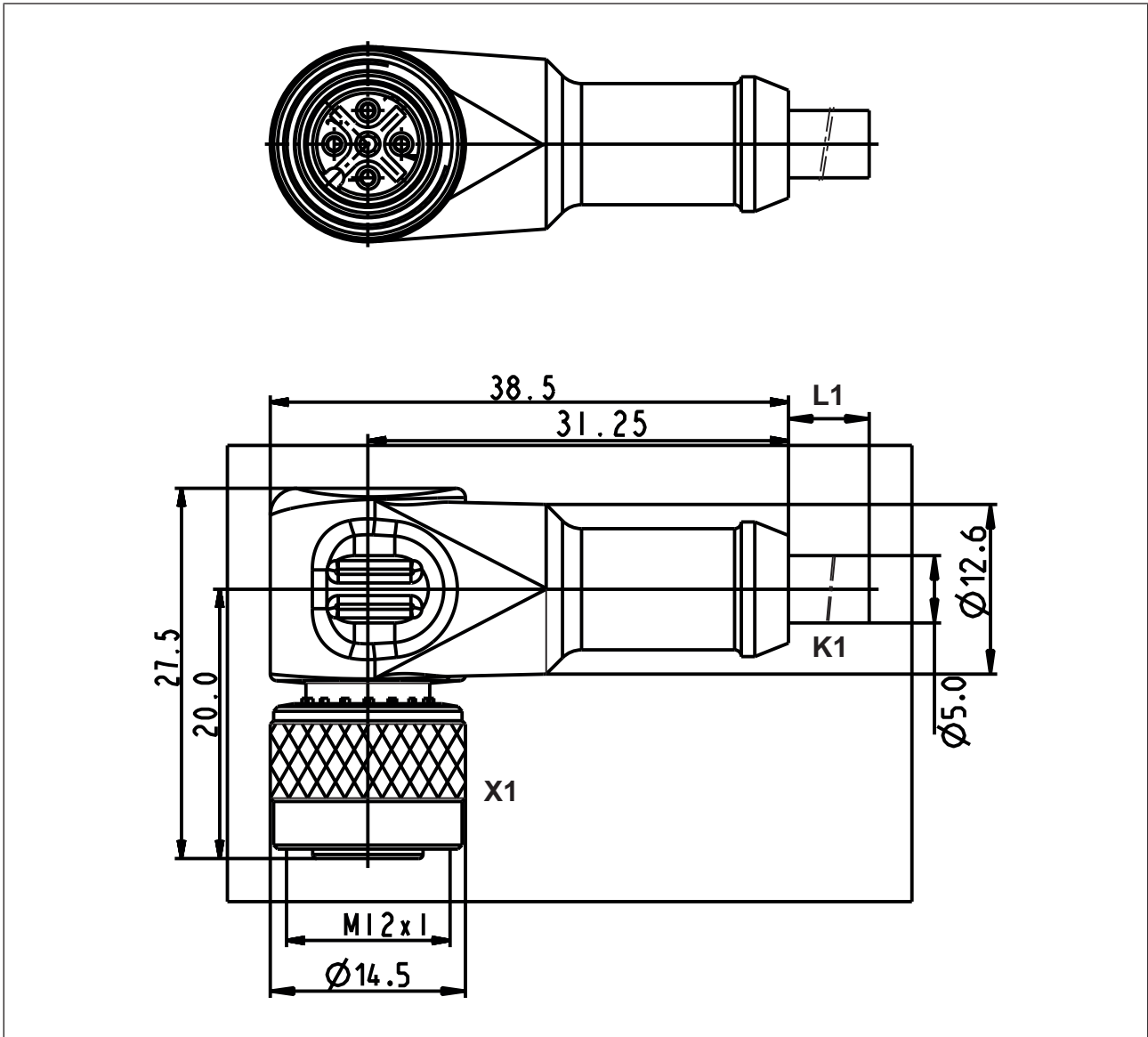
Dimensions

- ▶ M12 female connector, straight:



PSEN op Cable M12 4p

- ▶ M12 female connector, angled:



PSEN op Cable M12 4p

Technical details Order no. 630296 - 630301

General	630296	630300	630301
Approvals	cULus Listed	cULus Listed	cULus Listed
Electrical data	630296	630300	630301
Rated voltage			
Voltage UB	30 V	30 V	30 V
Rated current	4 A	4 A	4 A
Test voltage	3.000 V	3.000 V	3.000 V
Typ. conductor resistance K1	57 Ohm/km	57 Ohm/km	57 Ohm/km
Insulation resistance	100 MOhm	100 MOhm	100 MOhm
Volume resistance	3 mOhm	3 mOhm	3 mOhm
Specific volume resistance K1	$\geq 7E+15$ Ohm*cm	$\geq 7E+15$ Ohm*cm	$\geq 7E+15$ Ohm*cm
Specific cable capacitance K1	65,6pF/m	65,6pF/m	65,6pF/m
Environmental data	630296	630300	630301
Ambient temperature			
Temperature range	-25 - 80 °C	-25 - 80 °C	-25 - 80 °C
Airgap creepage			
Pollution degree	3	3	3
Protection type			
X1 when inserted	IP68	IP68	IP68
Housing	IP68	IP68	IP68
Mechanical data	630296	630300	630301
Plug-in connector X1	M12, 4-pin female connector	M12, 4-pin female connector	M12, 4-pin female connector
In accordance with the standard	EN 61076-2-101	EN 61076-2-101	EN 61076-2-101
Form, plug-in connector X1	Straight	Straight	Straight
Housing material X1	PUR	PUR	PUR
Material of contact surface X1	Au	Au	Au
Material of socket	CuSn	CuSn	CuSn
Conductor material K1	Cu	Cu	Cu
Insulating cover for conductor K1	PP (9Y)	PP (9Y)	PP (9Y)
Mating cycles X1	100	100	100
Cable type K1	LiF9Y11Y	LiF9Y11Y	LiF9Y11Y
Cable length L1	30 m	3 m	5 m

PSEN op Cable M12 4p

Mechanical data	630296	630300	630301
Colour of external cable insulation K1	Yellow, similar to RAL1003	Yellow, similar to RAL1003	Yellow, similar to RAL1003
Colour of housing	black	black	black
Min. bending radius (fixed permanently) K1	5 x Ø	5 x Ø	5 x Ø
Min. bending radius (moving) K1	10 x Ø	10 x Ø	10 x Ø
Cable insulation material K1	PUR, TPU / TPE-U	PUR, TPU / TPE-U	PUR, TPU / TPE-U
Drag chain suitable K1	No	No	No
Cable diameter K1	5 mm	5 mm	5 mm
Max. cable diameter K1	5,1 mm	5,1 mm	5,1 mm
Conductor cross section K1	0,34 mm²	0,34 mm²	0,34 mm²
Conductor cross section AWG K1	22	22	22
Wire colour K1	Brown, white, blue, black	Brown, white, blue, black	Brown, white, blue, black
Shielding K1	No	No	No
Wire layer separation K1	No	No	No
No. of wires K1	4	4	4
Approval cable K1	UL AWM-Style 20233, UL/CSA	UL AWM-Style 20233, UL/CSA	UL AWM-Style 20233, UL/CSA
Approval of plug-in connector X1	UL94 V-0	UL94 V-0	UL94 V-0
Halogen-free	yes	yes	yes
Silicone-free	yes	yes	yes
Oil resistance	Resistant	Resistant	Resistant
Non-flammability	UL VW1	UL VW1	UL VW1
Material			
Housing	PUR	PUR	PUR
Weight	1.044 g	116 g	175 g

PSEN op Cable M12 4p

Technical details Order no. 630302 - 630342

General	630302	630341	630342
Approvals	cULus Listed	cULus Listed	cULus Listed
Electrical data	630302	630341	630342
Rated voltage			
Voltage UB	30 V	30 V	30 V
Rated current	4 A	4 A	4 A
Test voltage	3.000 V	3.000 V	3.000 V
Typ. conductor resistance K1	57 Ohm/km	57 Ohm/km	57 Ohm/km
Insulation resistance	100 MOhm	100 MOhm	100 MOhm
Volume resistance	3 mOhm	3 mOhm	3 mOhm
Specific volume resistance K1	$\geq 7E+15$ Ohm*cm	$\geq 7E+15$ Ohm*cm	$\geq 7E+15$ Ohm*cm
Specific cable capacitance K1	65,6pF/m	65,6pF/m	65,6pF/m
Environmental data	630302	630341	630342
Ambient temperature			
Temperature range	-25 - 80 °C	-25 - 80 °C	-25 - 80 °C
Airgap creepage			
Pollution degree	3	3	3
Protection type			
X1 when inserted	IP68	IP68	IP68
Housing	IP68	IP68	IP68
Mechanical data	630302	630341	630342
Plug-in connector X1	M12, 4-pin female connector	M12, 4-pin female connector	M12, 4-pin female connector
In accordance with the standard	EN 61076-2-101	EN 61076-2-101	EN 61076-2-101
Form, plug-in connector X1	Straight	Angled	Angled
Housing material X1	PUR	PUR	PUR
Material of contact surface X1	Au	Au	Au
Material of socket	CuSn	CuSn	CuSn
Conductor material K1	Cu	Cu	Cu
Insulating cover for conductor K1	PP (9Y)	PP (9Y)	PP (9Y)
Mating cycles X1	100	100	100
Cable type K1	LiF9Y11Y	LiF9Y11Y	LiF9Y11Y
Cable length L1	10 m	3 m	5 m

PSEN op Cable M12 4p

Mechanical data	630302	630341	630342
Colour of external cable insulation K1	Yellow, similar to RAL1003	Yellow, similar to RAL1003	Yellow, similar to RAL1003
Colour of housing	black	black	black
Min. bending radius (fixed permanently) K1	5 x Ø	5 x Ø	5 x Ø
Min. bending radius (moving) K1	10 x Ø	10 x Ø	10 x Ø
Cable insulation material K1	PUR, TPU / TPE-U	PUR, TPU / TPE-U	PUR, TPU / TPE-U
Drag chain suitable K1	No	No	No
Cable diameter K1	5 mm	5 mm	5 mm
Max. cable diameter K1	5,1 mm	5,1 mm	5,1 mm
Conductor cross section K1	0,34 mm²	0,34 mm²	0,34 mm²
Conductor cross section AWG K1	22	22	22
Wire colour K1	Brown, white, blue, black	Brown, white, blue, black	Brown, white, blue, black
Shielding K1	No	No	No
Wire layer separation K1	No	No	No
No. of wires K1	4	4	4
Approval cable K1	UL AWM-Style 20233, UL/CSA	UL AWM-Style 20233, UL/CSA	UL AWM-Style 20233, UL/CSA
Approval of plug-in connector X1	UL94 V-0	UL94 V-0	UL94 V-0
Halogen-free	yes	yes	yes
Silicone-free	yes	yes	yes
Oil resistance	Resistant	Resistant	Resistant
Non-flammability	UL VW1	UL VW1	UL VW1
Material			
Housing	PUR	PUR	PUR
Weight	357 g	120 g	188 g

PSEN op Cable M12 4p

Technical details Order no. 630343 - 630362

General	630343	630344	630362
Approvals	cULus Listed	cULus Listed	cULus Listed
Electrical data	630343	630344	630362
Rated voltage			
Voltage UB	30 V	30 V	30 V
Rated current	4 A	4 A	4 A
Test voltage	3.000 V	3.000 V	3.000 V
Typ. conductor resistance K1	57 Ohm/km	57 Ohm/km	57 Ohm/km
Insulation resistance	100 MOhm	100 MOhm	100 MOhm
Volume resistance	3 mOhm	3 mOhm	3 mOhm
Specific volume resistance K1	$\geq 7E+15$ Ohm*cm	$\geq 7E+15$ Ohm*cm	$\geq 7E+15$ Ohm*cm
Specific cable capacitance K1	65,6pF/m	65,6pF/m	65,6pF/m
Environmental data	630343	630344	630362
Ambient temperature			
Temperature range	-25 - 80 °C	-25 - 80 °C	-25 - 80 °C
Airgap creepage			
Pollution degree	3	3	3
Protection type			
X1 when inserted	IP68	IP68	IP68
Housing	IP68	IP68	IP68
Mechanical data	630343	630344	630362
Plug-in connector X1	M12, 4-pin female connector	M12, 4-pin female connector	M12, 4-pin female connector
In accordance with the standard	EN 61076-2-101	EN 61076-2-101	EN 61076-2-101
Form, plug-in connector X1	Angled	Angled	Straight
Housing material X1	PUR	PUR	PUR
Material of contact surface X1	Au	Au	Au
Material of socket	CuSn	CuSn	CuSn
Conductor material K1	Cu	Cu	Cu
Insulating cover for conductor K1	PP (9Y)	PP (9Y)	PP (9Y)
Mating cycles X1	100	100	100
Cable type K1	LiF9Y11Y	LiF9Y11Y	LiF9Y11Y
Cable length L1	10 m	30 m	50 m

PSEN op Cable M12 4p

Mechanical data	630343	630344	630362
Colour of external cable insulation K1	Yellow, similar to RAL1003	Yellow, similar to RAL1003	Yellow, similar to RAL1003
Colour of housing	black	black	black
Min. bending radius (fixed permanently) K1	5 x Ø	5 x Ø	5 x Ø
Min. bending radius (moving) K1	10 x Ø	10 x Ø	10 x Ø
Cable insulation material K1	PUR, TPU / TPE-U	PUR, TPU / TPE-U	PUR, TPU / TPE-U
Drag chain suitable K1	No	No	No
Cable diameter K1	5 mm	5 mm	5 mm
Max. cable diameter K1	5,1 mm	5,1 mm	5,1 mm
Conductor cross section K1	0,34 mm²	0,34 mm²	0,34 mm²
Conductor cross section AWG K1	22	22	22
Wire colour K1	Brown, white, blue, black	Brown, white, blue, black	Brown, white, blue, black
Shielding K1	No	No	No
Wire layer separation K1	No	No	No
No. of wires K1	4	4	4
Approval cable K1	UL AWM-Style 20233, UL/CSA	UL AWM-Style 20233, UL/CSA	UL AWM-Style 20233, UL/CSA
Approval of plug-in connector X1	UL94 V-0	UL94 V-0	UL94 V-0
Halogen-free	yes	yes	yes
Silicone-free	yes	yes	yes
Oil resistance	Resistant	Resistant	Resistant
Non-flammability	UL VW1	UL VW1	UL VW1
Material			
Housing	PUR	PUR	PUR
Weight	357 g	1.041 g	1.625 g

PSEN op Cable M12 4p

Technical details Order no. 630363

General	
Approvals	cULus Listed
Electrical data	
Rated voltage	
Voltage UB	30 V
Rated current	4 A
Test voltage	3.000 V
Typ. conductor resistance K1	57 Ohm/km
Insulation resistance	100 MOhm
Volume resistance	3 mOhm
Specific volume resistance K1	>= 7E+15 Ohm*cm
Specific cable capacitance K1	65,6pF/m
Environmental data	
Ambient temperature	
Temperature range	-25 - 80 °C
Airgap creepage	
Pollution degree	3
Protection type	
X1 when inserted	IP68
Housing	IP68
Mechanical data	
Plug-in connector X1	M12, 4-pin female connector
In accordance with the standard	EN 61076-2-101
Form, plug-in connector X1	Angled
Housing material X1	PUR
Material of contact surface X1	Au
Material of socket	CuSn
Conductor material K1	Cu
Insulating cover for conductor K1	PP (9Y)
Mating cycles X1	100
Cable type K1	LiF9Y11Y
Cable length L1	50 m
Colour of external cable insulation K1	Yellow, similar to RAL1003
Colour of housing	black
Min. bending radius (fixed permanently) K1	5 x Ø
Min. bending radius (moving) K1	10 x Ø
Cable insulation material K1	PUR, TPU / TPE-U
Drag chain suitable K1	No
Cable diameter K1	5 mm

PSEN op Cable M12 4p

Mechanical data	
Max. cable diameter K1	5,1 mm
Conductor cross section K1	0,34 mm²
Conductor cross section AWG K1	22
Wire colour K1	Brown, white, blue, black
Shielding K1	No
Wire layer separation K1	No
No. of wires K1	4
Approval cable K1	UL AWM-Style 20233, UL/CSA
Approval of plug-in connector X1	UL94 V-0
Halogen-free	yes
Silicone-free	yes
Oil resistance	Resistant
Non-flammability	UL VW1
Material	
Housing	PUR
Weight	1.620 g

Order reference

Product type	Features	Connector X1	Connector X2	Order no.
PSEN op cable axial M12 4-pole 30m	30 m	M12 female connector, straight		630 296
PSEN op cable axial M12 4-pole 3m	3 m	M12 female connector, straight		630 300
PSEN op cable axial M12 4-pole 5m	5 m	M12 female connector, straight		630 301
PSEN op cable axial M12 4-pole 10m	10 m	M12 female connector, straight		630 302
PSEN op cable angle M12 4-pole 3m	3 m	M12 female connector, angled		630 341
PSEN op cable angle M12 4-pole 5m	5 m	M12 female connector, angled		630 342
PSEN op cable angle M12 4-pole 10m	10 m	M12 female connector, angled		630 343
PSEN op cable angle M12 4-pole 30m	30 m	M12 female connector, angled		630 344
PSEN op cable axial M12 4-pole 50m	50 m	M12 female connector, straight		630 362
PSEN op cable angle M12 4-pole 50m	50 m	M12 female connector, angled		630 363