

BA PIT si2.1

Control and signal devices

pilz

This document is the original document.

All rights to this documentation are reserved by Pilz GmbH & Co. KG. Copies may be made for internal purposes. Suggestions and comments for improving this documentation will be gratefully received.

Pilz®, PIT®, PMI®, PNOZ®, Primo®, PSEN®, PSS®, PVIS®, SafetyBUS p®, SafetyEYE®, SafetyNET p®, the spirit of safety® are registered and protected trademarks of Pilz GmbH & Co. KG in some countries.



SD means Secure Digital

Introduction	4
Validity of documentation	4
Using the documentation	4
Definition of symbols	4
Safety	5
Intended use	5
Safety regulations	5
Use of qualified personnel	5
Warranty and liability	6
Disposal	6
Unit features	6
Function description	6
Installation and wiring	6
Wiring	7
Installation	8
Connection examples	9
Driven via PNOZmulti	9
Driven via PSSuniversal	10
Dimensions	11
Technical details	11
Order reference	12
EC declaration of conformity	12

Introduction

Validity of documentation

This documentation is valid for the product PIT si2.1. It is valid until new documentation is published.

This operating manual explains the function and operation, describes the installation and provides guidelines on how to connect the product.

Using the documentation

This document is intended for instruction. Only install and commission the product if you have read and understood this document. The document should be retained for future reference.

Definition of symbols

Information that is particularly important is identified as follows:



DANGER!

This warning must be heeded! It warns of a hazardous situation that poses an immediate threat of serious injury and death and indicates preventive measures that can be taken.



WARNING!

This warning must be heeded! It warns of a hazardous situation that could lead to serious injury and death and indicates preventive measures that can be taken.



CAUTION!

This refers to a hazard that can lead to a less serious or minor injury plus material damage, and also provides information on preventive measures that can be taken.



NOTICE

This describes a situation in which the product or devices could be damaged and also provides information on preventive measures that can be taken. It also highlights areas within the text that are of particular importance.

**INFORMATION**

This gives advice on applications and provides information on special features.

Safety**Intended use**

The muting lamp is intended for use as an indicator in muting operation.

**CAUTION!**

The muting lamp is not monitored. In safety-related applications, its function must be monitored using appropriate means.

The following is deemed improper use in particular:

- ▶ Any component, technical or electrical modification to the product
- ▶ Use of the product outside the areas described in this manual
- ▶ Use of the product outside the technical details (see chapter entitled "Technical Details").

Safety regulations**Use of qualified personnel**

The products may only be assembled, installed, programmed, commissioned, operated, maintained and decommissioned by competent persons.

A competent person is someone who, because of their training, experience and current professional activity, has the specialist knowledge required to test, assess and operate the work equipment, devices, systems, plant and machinery in accordance with the general standards and guidelines for safety technology.

It is the company's responsibility only to employ personnel who:

- ▶ Are familiar with the basic regulations concerning health and safety / accident prevention
- ▶ Have read and understood the information provided in this description under "Safety"
- ▶ And have a good knowledge of the generic and specialist standards applicable to the specific application.

Warranty and liability

All claims to warranty and liability will be rendered invalid if

- ▶ The product was used contrary to the purpose for which it is intended
- ▶ Damage can be attributed to not having followed the guidelines in the manual
- ▶ Operating personnel are not suitably qualified
- ▶ Any type of modification has been made (e.g. exchanging components on the PCB boards, soldering work etc.).

Disposal

- ▶ When decommissioning, please comply with local regulations regarding the disposal of electronic devices (e.g. Electrical and Electronic Equipment Act).

Unit features

- ▶ Signal lamp for muting mode
- ▶ Scope of supply:
 - Muting lamp including LED
 - Mounting bracket
 - 2 screws

Function description

In muting mode, the operator must be made aware of the hazard that results from the suspension of the safety function. The muting lamp is designed for this purpose. It illuminates as soon as muting mode is started.

Installation and wiring

The cover must be removed for installation and wiring:

press down the strip underneath the lug using a screwdriver (1). In this way the cover is unlocked and can be opened by rotating (2).

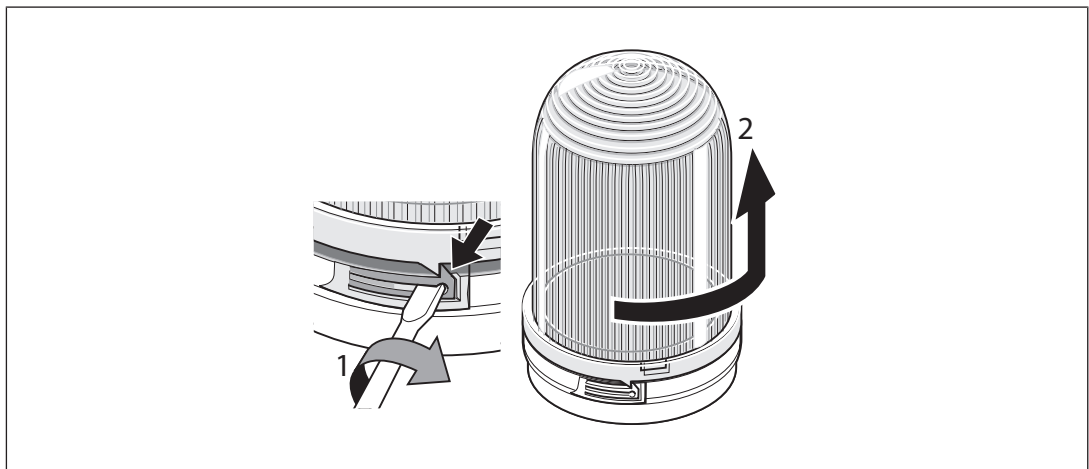


Fig.: Remove the cover

Wiring



CAUTION!

Wire the lamp when it is isolated from the power supply.

- ▶ Perforate the stuffing box using a screwdriver and guide the supply voltage cable through the opening.
- ▶ Connect the cable to the screw terminal:
the 24 V cable to the "+" terminal and the 0 V cable to the "-" terminal.

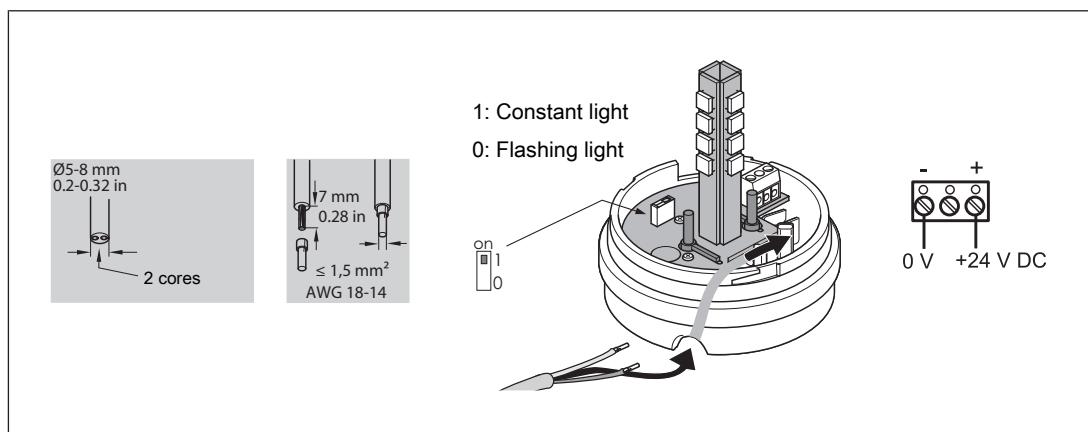


Fig.: Wiring



CAUTION!

For muting mode the switch must be in position 1, "constant light".

Installation



CAUTION!

The muting lamp must be mounted upright.

- ▶ Install the base directly on a horizontal surface or on the fastening bracket using the two screws supplied.
- ▶ Install the fastening bracket with the base on a vertical surface.

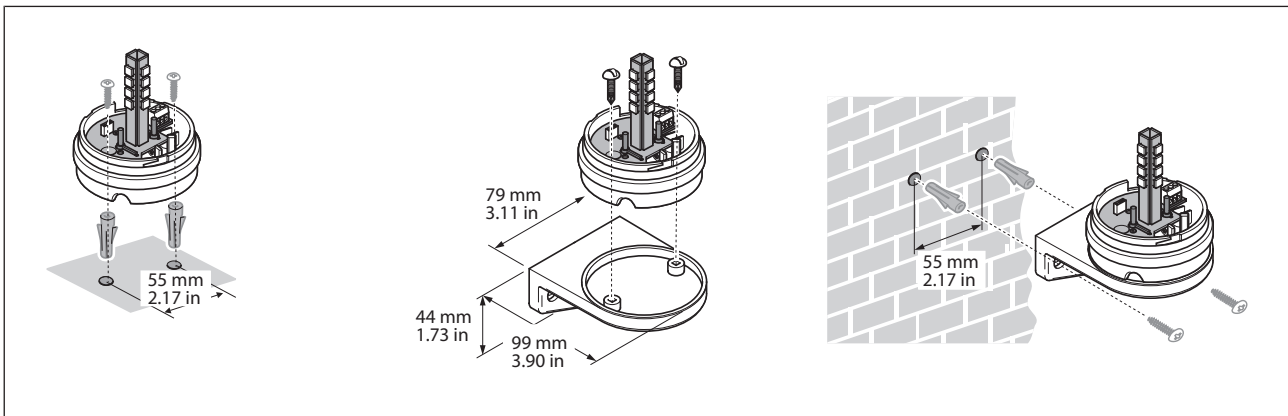


Fig.: Installation

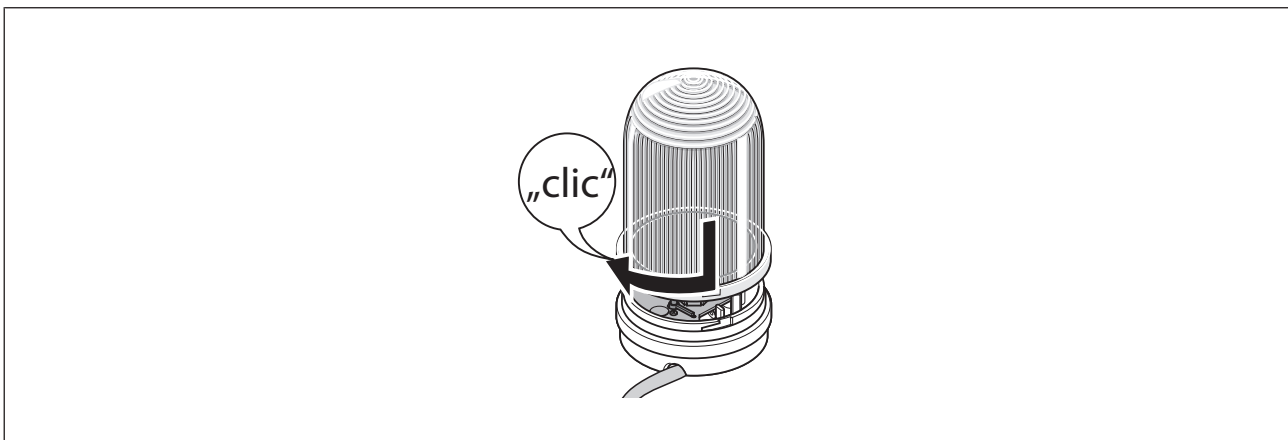


Fig.: Replace the cover

Driven via PSSuniversal

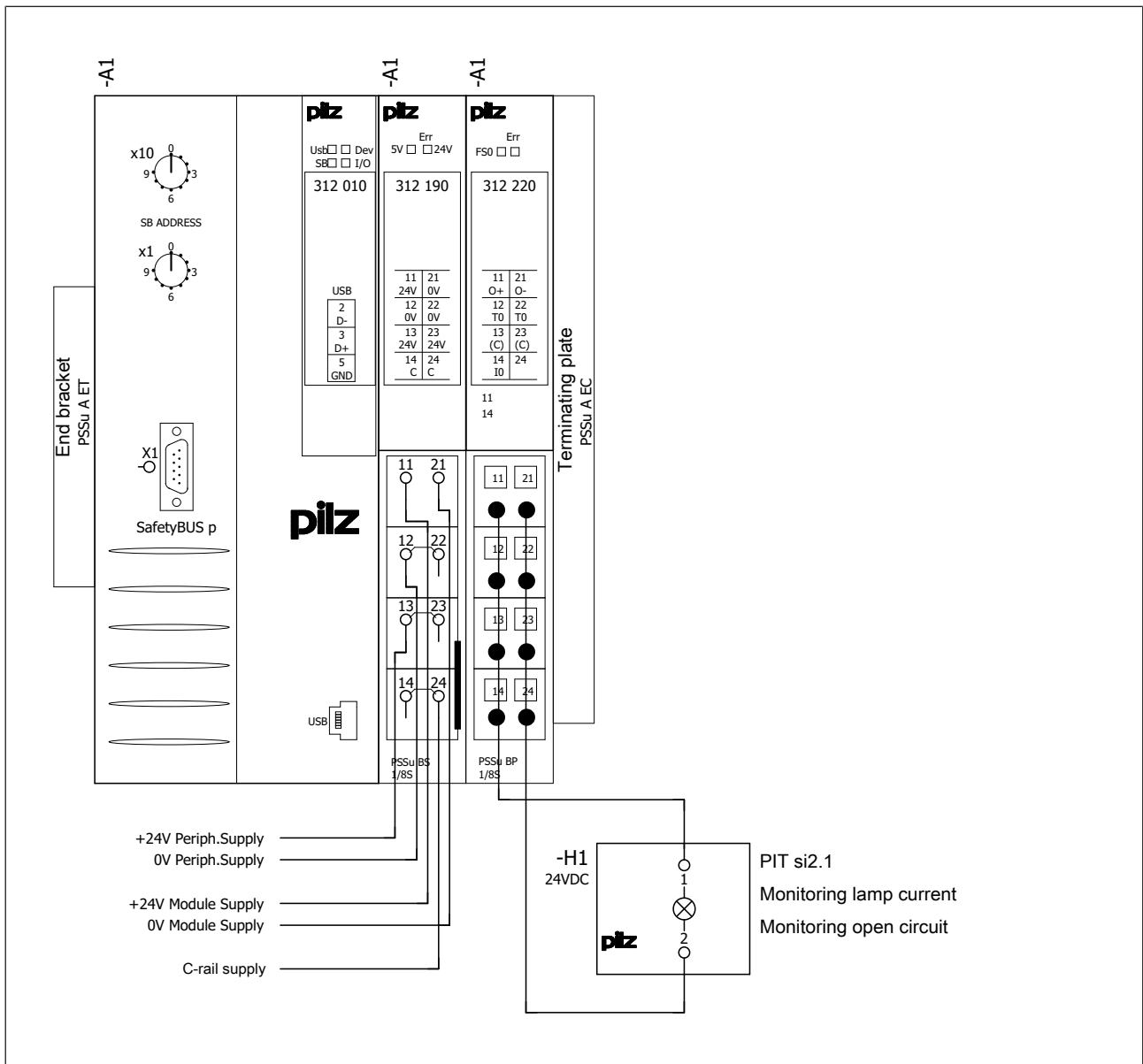


Fig.: Driven via PSSu H SB with PSSu E F PS and PSSu E F DI OZ 2

Dimensions

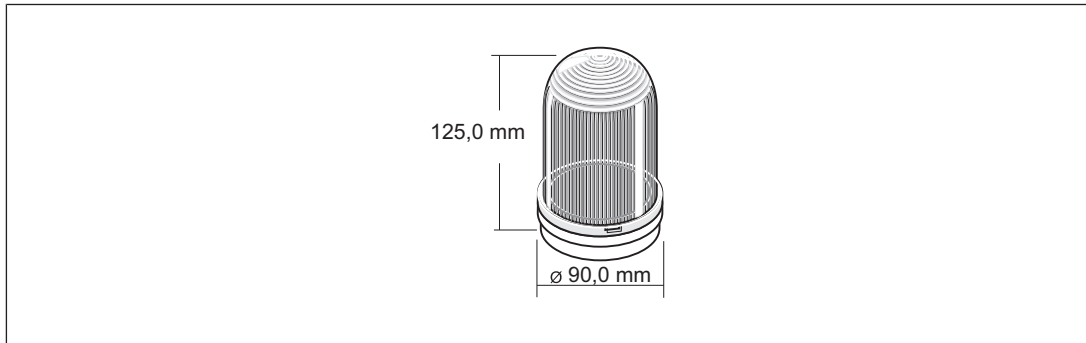


Fig.: Dimensions

Technical details

General	
Approvals	CE
Self-monitored	No
Lamp	
Kind	LED
Colour	Yellow
Electrical data	
Supply voltage	
Voltage	24,0 V
Kind	DC
Voltage tolerance	-20 %/+10 %
Output of external power supply (DC)	4,0 W
Continuous duty	100 %
Environmental data	
Ambient temperature	
Temperature range	-20 - 50 °C
Storage temperature	
Temperature range	-25 - 50 °C
Protection type	
Housing	IP65
Mechanical data	
Cable diameter	5 - 8 mm
Cable gland	ISO 20 mm
Mounting position	Vertical
Material	
Cover	PC
Bottom	ABS
Connection type	Screw terminal
Dimensions	
Height	125,0 mm
Diameter of pushbutton	90,0 mm

Mechanical data

Weight	205 g
--------	-------

Order reference

Product type	Features	Order no.
PIT si2.1 LED muting lamp	LED signal lamp for muting mode	620 015

EC declaration of conformity

This product/these products meet the requirements of the directive 2004/108/EC for machinery of the European Parliament and of the Council. The complete EC Declaration of Conformity is available on the Internet at www.pilz.com/downloads.

Representative: Norbert Fröhlich, Pilz GmbH & Co. KG, Felix-Wankel-Str. 2, 73760 Ostfildern, Germany

► Support

Technical support is available from Pilz round the clock.

Americas

Brazil
+55 11 97569-2804
Canada
+1 888-315-PILZ (315-7459)
Mexico
+52 55 5572 1300
USA (toll-free)
+1 877-PILZUSA (745-9872)

Asia

China
+86 21 60880878-216
Japan
+81 45 471-2281
South Korea
+82 31 450 0680

Australia

+61 3 95446300

Europe

Austria
+43 1 7986263-0
Belgium, Luxembourg
+32 9 3217575
France
+33 3 88104000
Germany
+49 711 3409-444
Ireland
+353 21 4804983
Italy
+39 0362 1826711

Scandinavia

+45 74436332

Spain

+34 938497433

Switzerland

+41 62 88979-30

The Netherlands

+31 347 320477

Turkey

+90 216 5775552

United Kingdom

+44 1536 462203

You can reach our international hotline on:

+49 711 3409-444
support@pilz.com

Pilz develops environmentally-friendly products using ecological materials and energy-saving technologies. Offices and production facilities are ecologically designed, environmentally-aware and energy-saving. So Pilz offers sustainability, plus the security of using energy-efficient products and environmentally-friendly solutions.

The 4-fold safety of automation

COMPONENTS
SYSTEMS
SERVICES

Technical Ecological
Personal Economical

Energy saving by Pilz

BLUECOMPETENCE

Alliance Member

Partner of the Engineering Industry Sustainability Initiative



Pilz GmbH & Co. KG
Felix-Wankel-Straße 2
73760 Ostfildern, Germany
Tel.: +49 711 3409-0
Fax: +49 711 3409-133
info@pilz.com
www.pilz.com

pilz
the spirit of safety

CMSE, InduraNET p, PAS4000, PAScal, PASconfig, Pilz, PIT, PLID, PMCPrimo, PMCProtego, PMCTendo, PMD, PMI, PNOZ, Primo, PSEN, PSS, PVS, Safety SafetyYE, SafetyNET p, the spirit of safety, are registered and protected trademarks of Pilz GmbH & Co. KG in some countries. We would point out that product features may vary from the details stated in this document, depending on the status at the time of publication and the scope of the equipment. We accept no responsibility for the validity, accuracy and entirety of the text and graphics presented in this information. Please contact our Technical Support if you have any questions.