



PNOZ msi19p

PILZ
THE SPIRIT OF SAFETY

► Accessories PNOZmulti

This document is the original document.

All rights to this documentation are reserved by Pilz GmbH & Co. KG. Copies may be made for the user's internal purposes. Suggestions and comments for improving this documentation will be gratefully received.

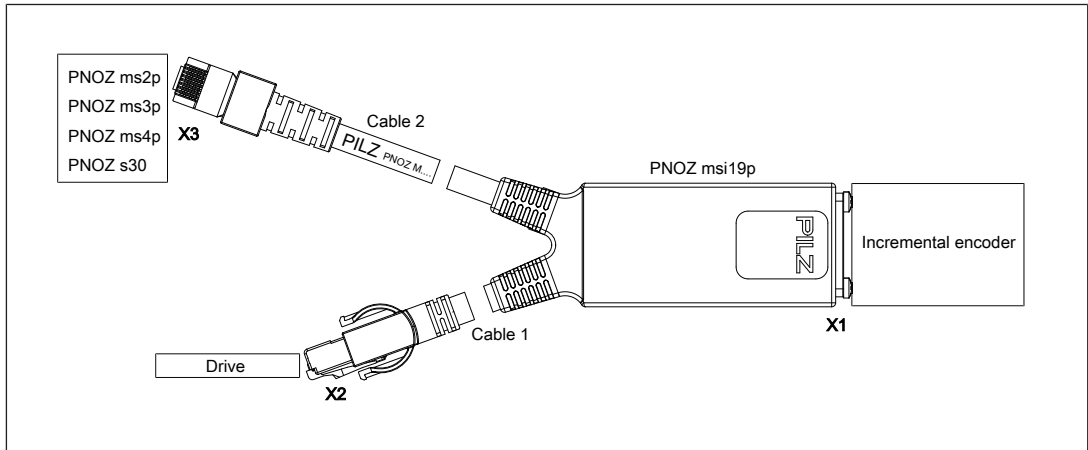
Source code from third-party manufacturers or open source software has been used for some components. The relevant licence information is available on the Internet on the Pilz homepage.

Pilz®, PIT®, PMI®, PNOZ®, Primo®, PSEN®, PSS®, PVIS®, SafetyBUS p®, SafetyEYE®, SafetyNET p®, the spirit of safety® are registered and protected trademarks of Pilz GmbH & Co. KG in some countries.



SD means Secure Digital

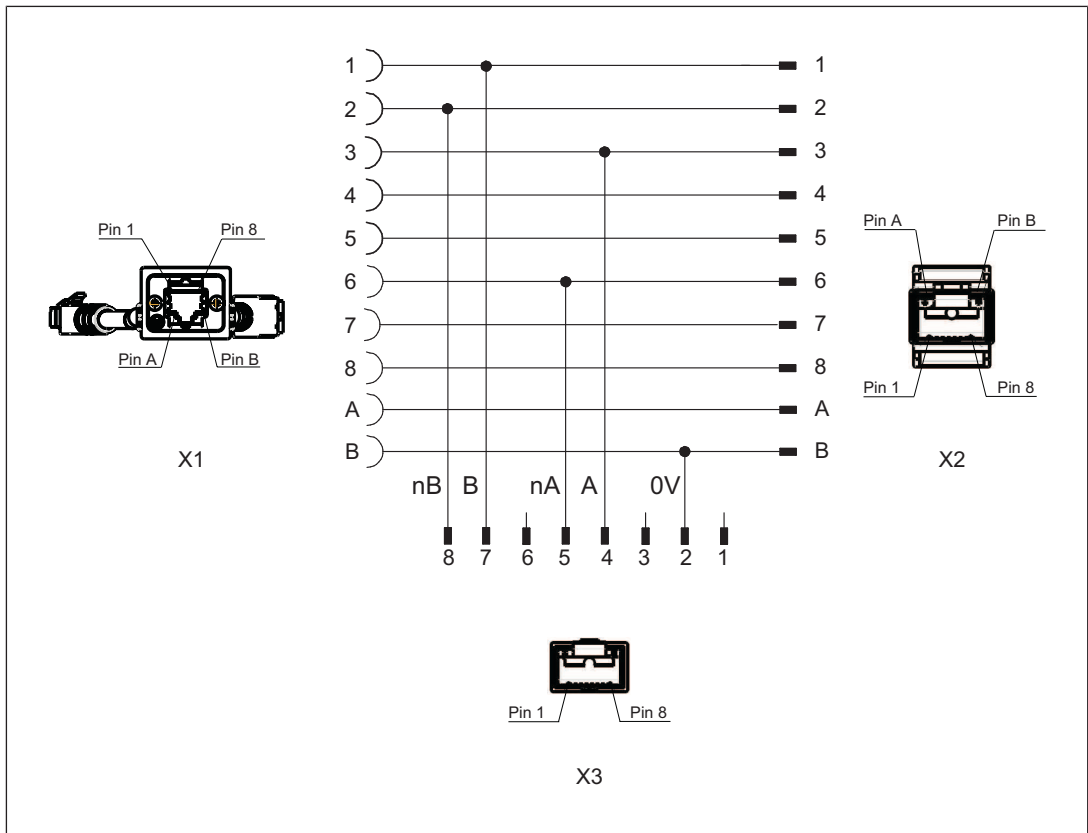
Connection



INFORMATION

Remove the protective cover of the RJ45 connector after installation in the control cabinet.

Connector pin assignment

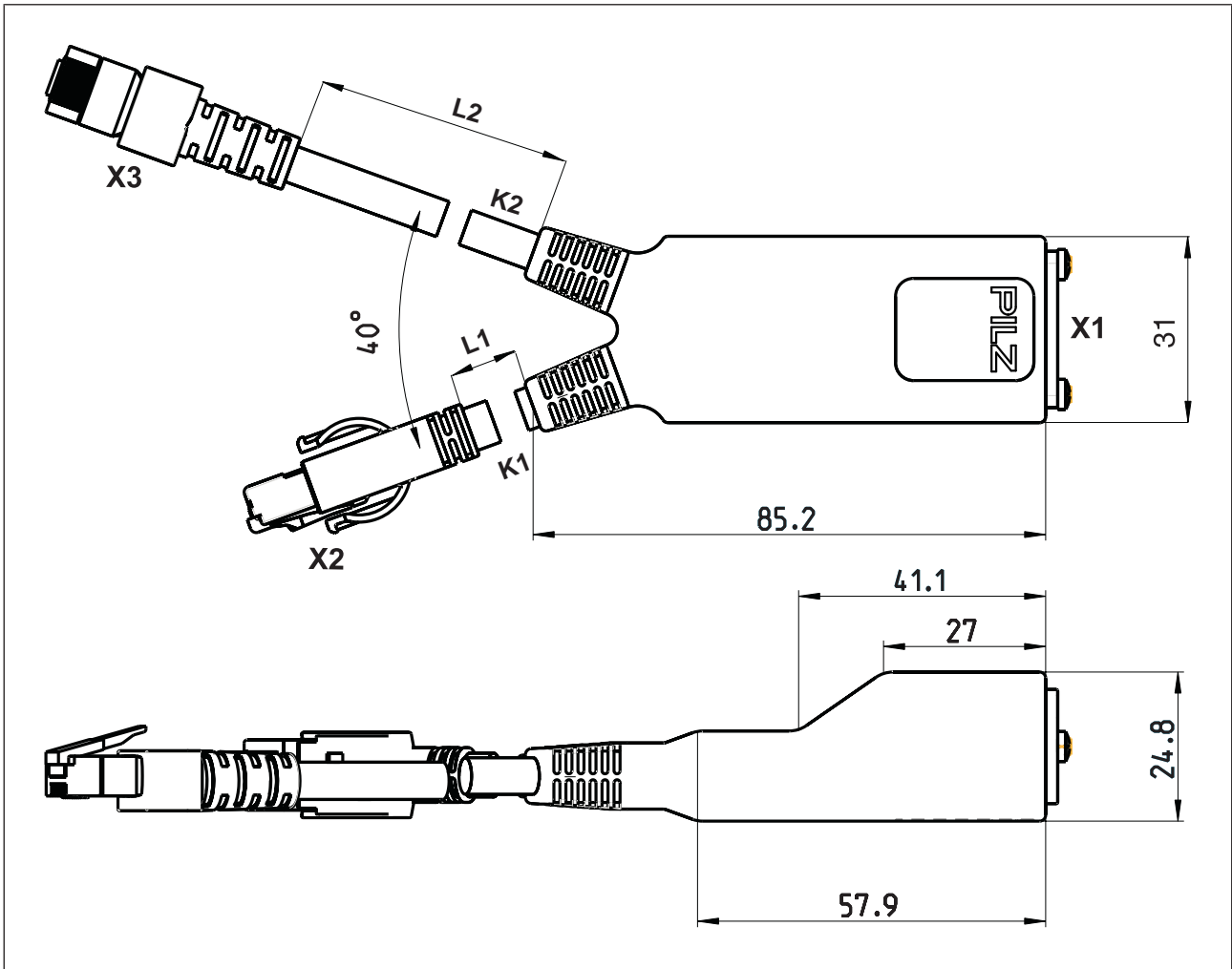




INFORMATION

The signals Z and /Z for the speed monitor PNOZ s30 are not recorded.

Dimensions in mm



Technical details

General	773846	773847
Certifications	-	-
Electrical data	773846	773847
Operating voltage	30 V	30 V
Insulation resistance	10 MOhm	10 MOhm

Environmental data	773846	773847
Ambient temperature		
Temperature range	0 - 60 °C	0 - 60 °C
Temperature range (moving)	0 - 60 °C	0 - 60 °C
Storage temperature		
Temperature range	-25 - 70 °C	-25 - 70 °C
Condensation during operation	Not permitted	Not permitted
Protection type		
X1 when inserted	IP20	IP20
X2 when inserted	IP20	IP20
X3 when inserted	IP20	IP20
Housing	IP20	IP20
Mounting area (e.g. control cabinet)	IP54	IP54
Mechanical data	773846	773847
Plug-in connector X1	10-pin RJ45 female connector	10-pin RJ45 female connector
Form, plug-in connector X1	Straight	Straight
Plug-in connector X2	10-pin RJ45 male connector	10-pin RJ45 male connector
Form, plug-in connector X2	Straight	Straight
Plug-in connector X3	8-pin RJ45 male connector	8-pin RJ45 male connector
Design of plug-in connector X3	Straight	Straight
Housing material X1	PA	PA
Housing material X2	PBT	PBT
Housing material X3	PBT	PBT
Material of contact surface X1	Au	Au
Material of contact surface X2	Au	Au
Material of contact surface X3	Au	Au
Conductor material K1	Cu	Cu
Conductor material K2	Cu	Cu
Mating cycles X1	1500	1500
Mating cycles X2	1500	1500
Mating cycles X3	1500	1500
Cable length L1	0,2 m	0,2 m
Cable length L2	1,5 m	2,5 m
Cable length tolerance K1	+ 0,055m	+ 0,055m
Cable length tolerance K2	+/- 0,15 m	+/- 0,15 m
Category cable K1	Cat5	Cat5
Colour of external cable insulation K1	Green	Green
Colour of external cable insulation K2	Green	Green
Colour of housing	Black RAL 9005	Black RAL 9005
Cable insulation material K1	PUR	PUR
Cable insulation material K2	PUR	PUR
Drag chain suitable K1	yes	yes
Drag chain suitable K2	yes	yes

Mechanical data	773846	773847
Min. bending radius (fixed permanently) K1	10 x Ø	10 x Ø
Min. bending radius (fixed permanently) K2	8 x Ø	8 x Ø
Min. bending radius (moving) K1	10 x Ø	10 x Ø
Min. bending radius (moving) K2	10 x Ø	10 x Ø
Bending cycles cable K1	1.000.000	1.000.000
Cable diameter K1	6,9 mm	6,9 mm
Cable diameter K2	5,8 mm	5,8 mm
Max. cable diameter K1	7 mm	7 mm
Max. cable diameter K2	6 mm	6 mm
Conductor cross section K1	0,14 mm ²	0,14 mm ²
Conductor cross section K2	0,14 mm ²	0,14 mm ²
Conductor cross section of data conductor AWG K1	26	26
Conductor cross section of data conductor K1	(4 x 2 x 0,14) mm ²	(4 x 2 x 0,14) mm ²
Conductor cross section of supply conductor K1	2 x 0,25 mm ²	2 x 0,25 mm ²
Wire colour K1	In accordance with TIA/EIA 568 B	In accordance with TIA/EIA 568 B
Wire colour K2	White, brown, green, yellow, grey, pink, blue, red	White, brown, green, yellow, grey, pink, blue, red
Shielding K1	yes	yes
Shielding K2	yes	yes
Wire layer separation K1	yes	yes
Wire layer separation K2	No	No
No. of wires K1	10	10
No. of wires K2	8	8
Certification cable K1	UL AWM-Style 20963	UL AWM-Style 20963
Certification cable K2	UL AWM-Style 20233	UL AWM-Style 20233
Certification plug-in connector X1	UL94 V-0	UL94 V-0
Certification plug-in connector X2	UL94 V-0	UL94 V-0
Certification plug-in connector X3	UL94 V-0	UL94 V-0
Material		
Housing	TPE-SEBS UL 94 HB	TPE-SEBS UL 94 HB
Dimensions		
Height	24,8 mm	24,8 mm
Width	31 mm	31 mm
Depth	85,2 mm	85,2 mm
Weight	136 g	176 g

Order reference

Product type	Features	Connector X1	Connector X2	Connector X3	Order no.
PNOZ MSI19P AD- APTER ELAU PACDrive3 1.5m	1.5 m	10-pin RJ45 fe- male connector	10-pin RJ45 male connector	8-pin RJ45 male connector	773 846
PNOZ MSI19P AD- APTER ELAU PACDrive3 2.5m	2.5 m	10-pin RJ45 fe- male connector	10-pin RJ45 male connector	8-pin RJ45 male connector	773 847

