

# Inductive sensor

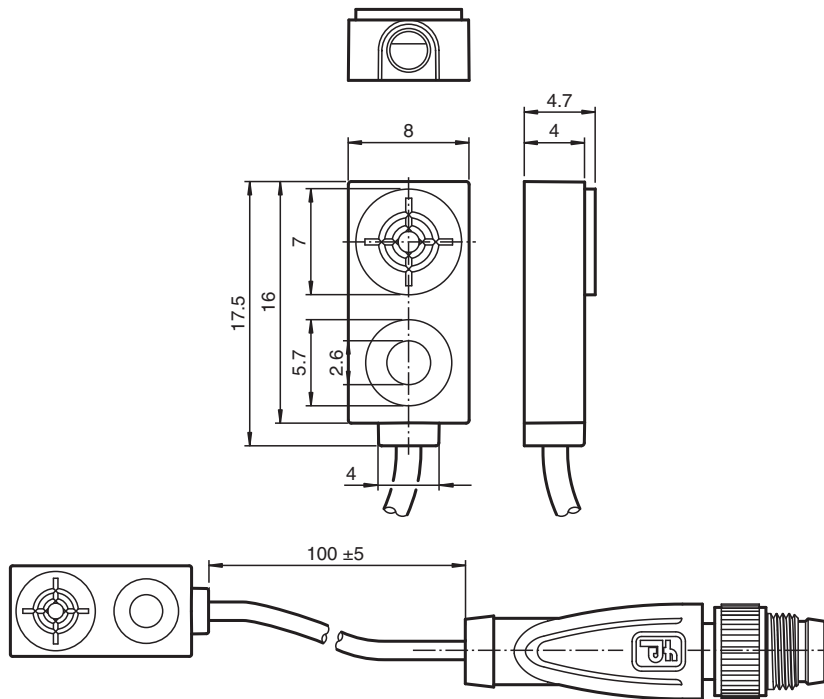
## NBB1,5-F79-E2-0,1M-V3



- 1.5 mm flush
- 3-wire DC



### Dimensions



### Technical Data

#### General specifications

|                            |       |                    |
|----------------------------|-------|--------------------|
| Switching function         |       | Normally open (NO) |
| Output type                |       | PNP                |
| Rated operating distance   | $s_n$ | 1.5 mm             |
| Installation               |       | flush              |
| Output polarity            |       | DC                 |
| Assured operating distance | $s_a$ | 0 ... 1.215 mm     |
| Reduction factor $r_{Al}$  |       | 0.3                |
| Reduction factor $r_{Cu}$  |       | 0.2                |

Release date: 2020-03-23 Date of issue: 2020-03-30 Filename: 224032\_eng.pdf

Refer to "General Notes Relating to Pepperl+Fuchs Product Information".

Pepperl+Fuchs Group  
www.pepperl-fuchs.com

USA: +1 330 486 0001  
fa-info@us.pepperl-fuchs.com

Germany: +49 621 776 1111  
fa-info@de.pepperl-fuchs.com

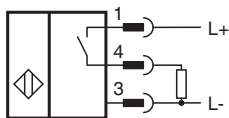
Singapore: +65 6779 9091  
fa-info@sg.pepperl-fuchs.com

PEPPERL+FUCHS

## Technical Data

|   |       |  |
|---|-------|--|
| Reduction factor $r_{304}$                      |       | 0.7  |
| <b>Nominal ratings</b>                          |       |  |
| Operating voltage                               | $U_B$ | 5 ... 30 V DC  |
| Switching frequency                             | f     | 0 ... 1200 Hz  |
| Hysteresis                                      | H     | typ. 5 %   |
| Short-circuit protection                        |       | pulsing  |
| Voltage drop                                    | $U_d$ | $\leq 1.5$ V   |
| Operating current                               | $I_L$ | 0 ... 100 mA   |
| Off-state current                               | $I_r$ | $\leq 10$ $\mu$ A  |
| No-load supply current                          | $I_0$ | $\leq 15$ mA   |
| Time delay before availability                  | $t_v$ | $\leq 20$ ms   |
| <b>Functional safety related parameters</b>     |       |  |
| MTTF <sub>d</sub>                               |       | 4830 a   |
| Mission Time ( $T_M$ )                          |       | 20 a   |
| Diagnostic Coverage (DC)                        |       | 0 %  |
| <b>Compliance with standards and directives</b> |       |  |
| Standard conformity                             |       |  |
| Standards                                       |       | EN 60947-5-2:2007<br>IEC 60947-5-2:2007                            |
| <b>Approvals and certificates</b>               |       |  |
| CCC approval                                    |       | CCC approval / marking not required for products rated $\leq 36$ V |
| <b>Ambient conditions</b>                       |       |  |
| Ambient temperature                             |       | -25 ... 70 °C (-13 ... 158 °F)                                     |
| <b>Mechanical specifications</b>                |       |  |
| Connection type                                 |       | Cable connector M8 x 1 , 3-pin with PVC cable 100 mm               |
| Core cross-section                              |       | 0.09 mm <sup>2</sup>   |
| Housing material                                |       | PA   |
| Sensing face                                    |       | PA   |
| Degree of protection                            |       | IP67   |

## Connection




## Connection Assignment



Wire colors in accordance with EN 60947-5-2

|   |    |         |
|---|----|---------|
| 1 | BN | (brown) |
| 3 | BU | (blue)  |
| 4 | BK | (black) |

## Accessories

|   |                     |   |
|---|---------------------|---|
|  | <b>V3-WM-2M-PUR</b> | Female cordset single-ended, M8, 3-pin, PUR cable |
|---|---------------------|---|

Release date: 2020-03-23 Date of issue: 2020-03-30 Filename: 224032\_eng.pdf

Refer to "General Notes Relating to Pepperl+Fuchs Product Information".

Pepperl+Fuchs Group  
www.pepperl-fuchs.com

USA: +1 330 486 0001  
fa-info@us.pepperl-fuchs.com

Germany: +49 621 776 1111  
fa-info@de.pepperl-fuchs.com

Singapore: +65 6779 9091  
fa-info@sg.pepperl-fuchs.com