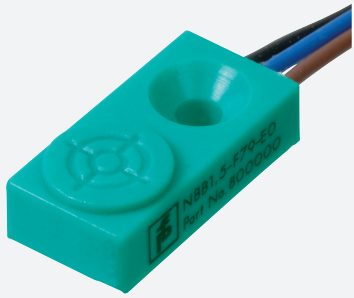


# Inductive sensor

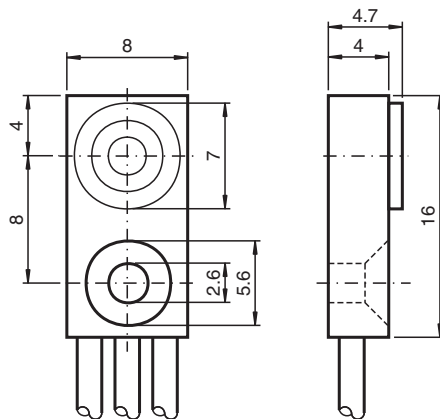
## NBB1,5-F79-E2



- Basic series
- 1.5 mm flush
- 3-wire DC



### Dimensions



### Technical Data

#### General specifications

Switching function		Normally open (NO)
Output type		PNP
Rated operating distance	$s_n$	1.5 mm
Installation		flush
Output polarity		DC
Assured operating distance	$s_a$	0 ... 1.215 mm
Reduction factor $r_{AI}$		0.3
Reduction factor $r_{Cu}$		0.2
Reduction factor $r_{304}$		0.7

#### Nominal ratings

Operating voltage	$U_B$	5 ... 30 V DC
Switching frequency	$f$	0 ... 1200 Hz
Hysteresis	$H$	typ. 5 %
Short-circuit protection		pulsing
Voltage drop	$U_d$	≤ 1.5 V

Release date: 2020-03-20 Date of issue: 2020-03-30 Filename: 800001\_eng.pdf

Refer to "General Notes Relating to Pepperl+Fuchs Product Information".

Pepperl+Fuchs Group  
www.pepperl-fuchs.com

USA: +1 330 486 0001  
fa-info@us.pepperl-fuchs.com

Germany: +49 621 776 1111  
fa-info@de.pepperl-fuchs.com

Singapore: +65 6779 9091  
fa-info@sg.pepperl-fuchs.com

**PF** PEPPERL+FUCHS

## Technical Data

Operating current	$I_L$	0 ... 100 mA
Off-state current	$I_r$	$\leq 10 \mu\text{A}$
No-load supply current	$I_0$	$\leq 15 \text{ mA}$
Time delay before availability	$t_v$	$\leq 20 \text{ ms}$
<b>Functional safety related parameters</b>		
MTTF <sub>d</sub>		4830 a
Mission Time (T <sub>M</sub> )		20 a
Diagnostic Coverage (DC)		0 %
<b>Compliance with standards and directives</b>		
Standard conformity		
Standards		EN 60947-5-2:2007 IEC 60947-5-2:2007
<b>Approvals and certificates</b>		
EAC conformity		TR CU 020/2011
UL approval		cULus Listed, General Purpose
CSA approval		cCSAus Listed, General Purpose
CCC approval		CCC approval / marking not required for products rated $\leq 36 \text{ V}$
<b>Ambient conditions</b>		
Ambient temperature		-25 ... 70 °C (-13 ... 158 °F)
<b>Mechanical specifications</b>		
Connection type		flexible leads PVC , 500 mm
Core cross-section		0.08 mm <sup>2</sup>
Housing material		PA
Sensing face		PA
Degree of protection		IP67

## Connection

