

# General Specifications

## Terminal Boards (for FIO)



### GS 33K50H50-50E

[Release 5]

#### ■ GENERAL

This document describes the specifications of terminal boards used for FIOs of CENTUM VP systems.

#### ■ STANDARD SPECIFICATIONS

Model	Description	Points	Terminals	Modules Connected	Connection Cable	Weight	Specifications
AEA3D	For 2-wire Transmitter (for single or dual redundant modules)	8 pts x 4	M4 screws	AAI135 AAI835 AAP135	KS1	1.8 kg	Insulation resistance: 100 MΩ or greater at 500 V DC  Withstanding voltage: 500 V AC for 1 minute
AEA4D	For analog signals (for single or dual redundant modules)	8 pts x 2	M4 screws	AAI135 AAI835 AAP135	KS1	1.5 kg	
		16 pts x 2	M4 screws	AAI141 AAV141 AAV142 AAV144 AAB841 AAI841 AAV542 AAV544 AAI143 AAI543			
AET4D	For thermocouple (for single or dual redundant modules)	16 pts x 2	M4 screws	AAT145	KS1	1.8 kg	
AED5D	For digital signals (for single or dual redundant modules)	32 pts x 1	M4 screws	ADV151 ADV551	AKB331	1.5 kg	
				ADV161 (*1) ADV561 (*1)	AKB337		
AEF9D	For fieldbus (for single or dual redundant modules)	4 ports x 4	M4 screws	ALF111	AKB336	1.8 kg	
AER4D	For resistance temperature detectors	16 pts	M4 screws	AAR145	AKB335	1.5 kg	
MRT(*2)	For resistance temperature detectors	16 pts x 2	M4 screws	AAR145	KS8	1.8 kg	
AEC4D	For digital signals (for single or dual redundant modules)	16 pts x 2	M4 screws	ADV141 ADV142 ADR541	AKB332 AKB333 AKB334	1.8 kg	

Note: Be sure to leave the connector caps on connectors that are not used, in order to protect the connector pins and prevent dust from accumulating on them.

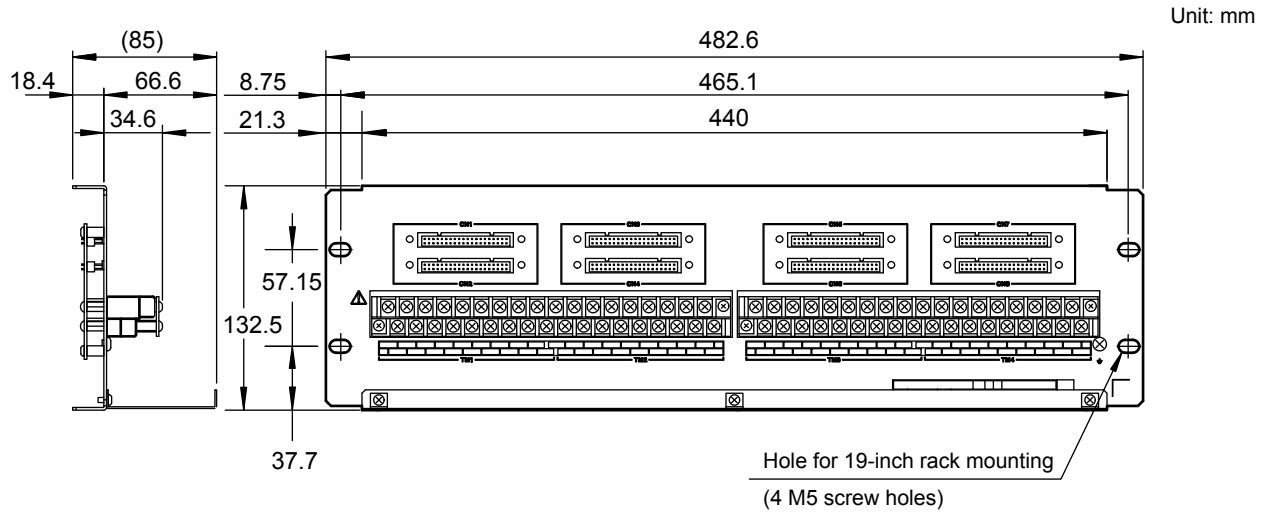
\*1: Two sets of AED5D or AKB337 are required for one set of ADV161 or ADV561.

\*2: For details on the MRT, see GS 33K55R40-50E.

## EXTERNAL DIMENSIONS

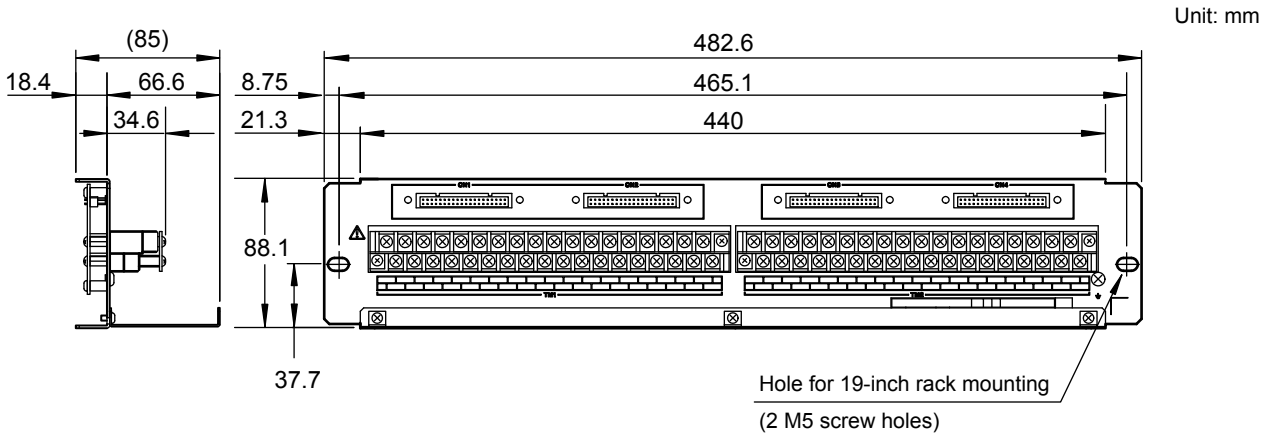
### Terminal Boards

#### AEA3D



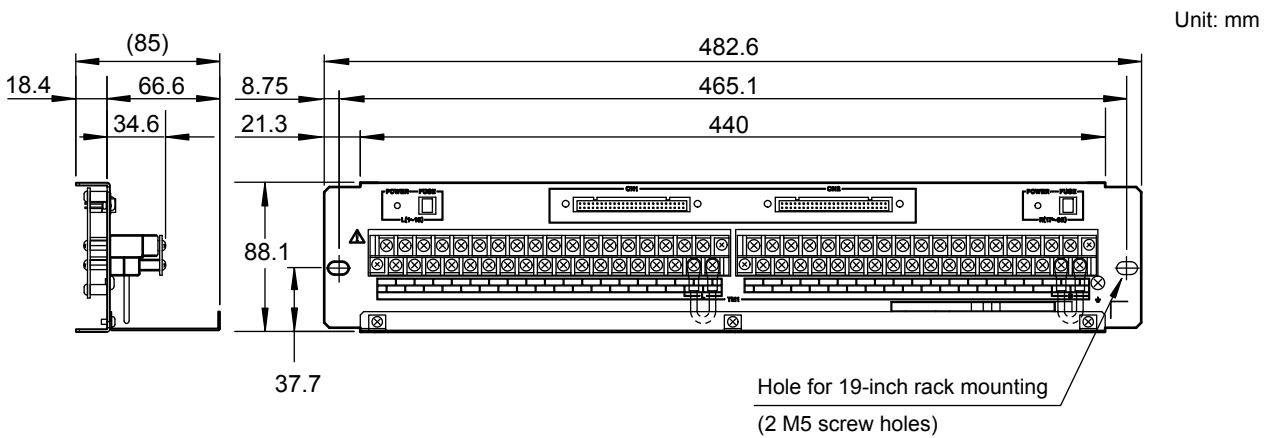
F01E.ai

#### AEA4D, AET4D



F02E.ai

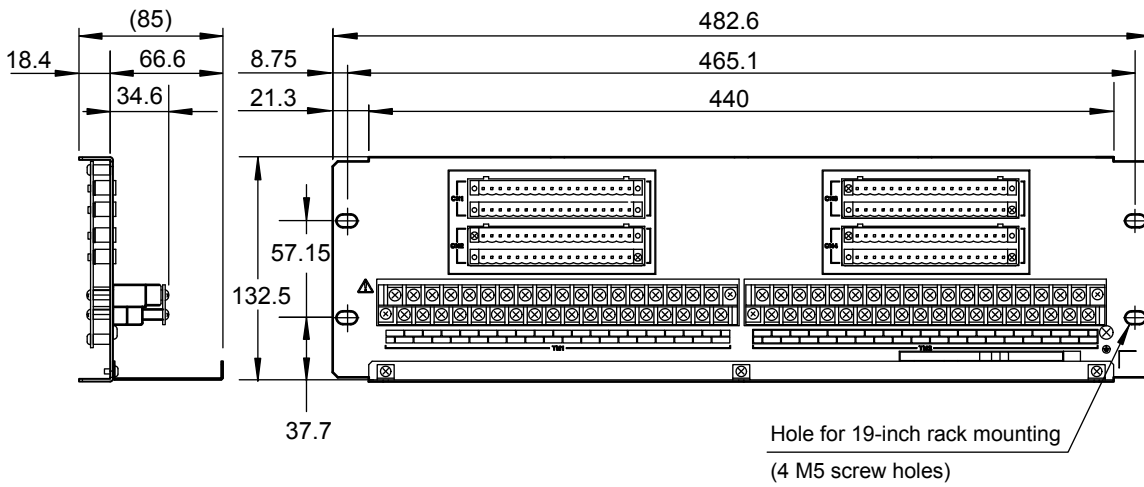
#### AED5D



F03E.ai

**AEC4D**

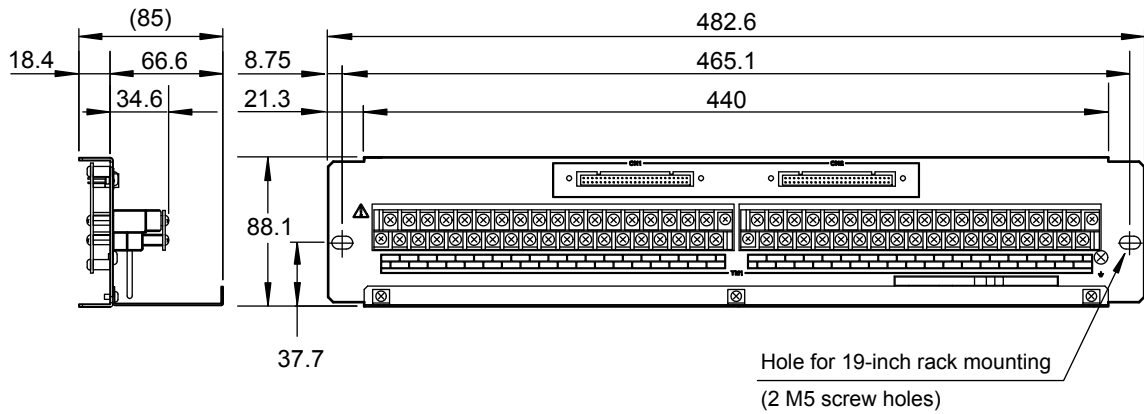
Unit: mm



F04E.ai

**AER4D**

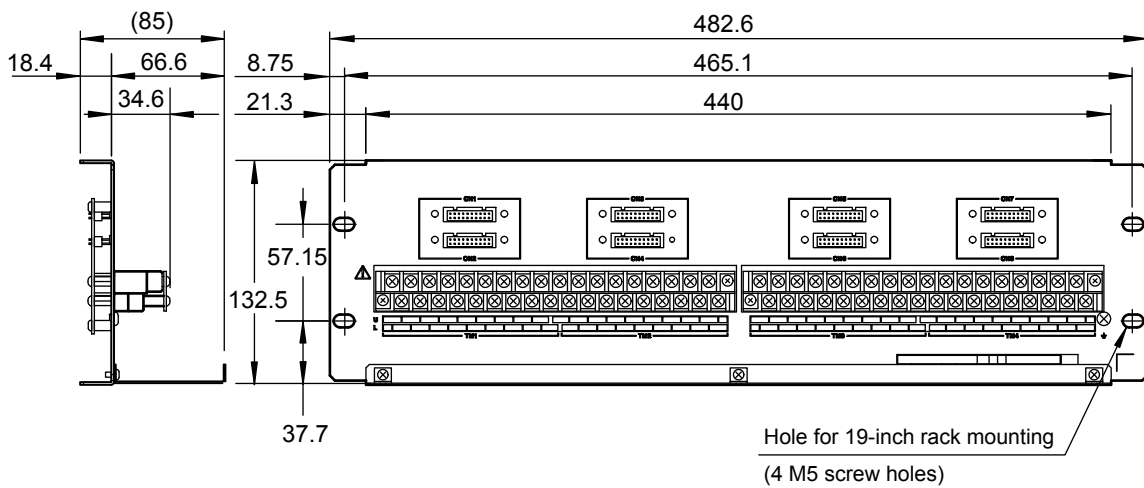
Unit: mm



F05E.ai

**AEF9D**

Unit: mm



F06E.ai

## ■ MODELS AND SUFFIX CODES

### Terminal Board for Analog (single and dual-redundant)

		Description
<b>Model</b>	AEA3D	Terminal Board for Analog (single and dual-redundant, 8-channel)
<b>Suffix Codes</b>	-0	Always 0
	5	Basic type with no explosion protection
	6	With ISA Standard G3 option and no explosion protection
	E	Basic type with explosion protection
	F	With ISA Standard G3 option and explosion protection

### Terminal Board for Analog (single and dual-redundant)

		Description
<b>Model</b>	AEA4D	Terminal Board for Analog (single and dual-redundant, 16-channel)
<b>Suffix Codes</b>	-0	Always 0
	5	Basic type with no explosion protection
	6	With ISA Standard G3 option and no explosion protection
	E	Basic type with explosion protection
	F	With ISA Standard G3 option and explosion protection

### Terminal Board for Thermocouple (single and dual-redundant)

		Description
<b>Model</b>	AET4D	Terminal Board for Thermocouple (single and dual-redundant, 16-channel)
<b>Suffix Codes</b>	-0	Always 0
	5	Basic type with no explosion protection
	6	With ISA Standard G3 option and no explosion protection
	E	Basic type with explosion protection
	F	With ISA Standard G3 option and explosion protection

### Terminal Board for Digital (single and dual-redundant)

		Description
<b>Model</b>	AED5D	Terminal Board for Digital (single and dual-redundant, 32-channel)
<b>Suffix Codes</b>	-0	Always 0
	5	Basic type with no explosion protection
	6	With ISA Standard G3 option and no explosion protection
	E	Basic type with explosion protection
	F	With ISA Standard G3 option and explosion protection

Note: When the AED5D is used in voltage output mode, it does not conform to Non-Incendive standard.

### Terminal Board for Digital (single and dual-redundant)

		Description
<b>Model</b>	AEC4D	Terminal Board for Digital (single and dual-redundant, 16-channel)
<b>Suffix Codes</b>	-5	For 100 V - 120 V AC input
	-6	For 220 V - 240 V AC input
	-7	For Relay output
	5	Basic type with no explosion protection
	6	With ISA Standard G3 option and no explosion protection
	E	Basic type with explosion protection (*1)
	F	With ISA Standard G3 option and explosion protection (*1)

\*1: These suffix codes cannot be specified with AEC4D-6□.

### Terminal Board for Resistance Temperature Detectors (single and dual-redundant)

		Description
<b>Model</b>	AER4D	Terminal Board for resistance temperature detectors (single and dual-redundant, 16-channel)
<b>Suffix Codes</b>	-0	Always 0
	5	Basic type with no explosion protection
	6	With ISA Standard G3 option and no explosion protection
	E	Basic type with explosion protection
	F	With ISA Standard G3 option and explosion protection

### Terminal Board for Fieldbus (single and dual-redundant)

		Description
<b>Model</b>	AEF9D	Terminal Board for Fieldbus (single and dual-redundant)
<b>Suffix Codes</b>	-0	Always 0
	5	Basic type with no explosion protection
	6	With ISA Standard G3 option and no explosion protection
	E	Basic type with explosion protection
	F	With ISA Standard G3 option and explosion protection

## ■ ORDERING INFORMATION

Specify model and suffix codes.

For selecting the right products for explosion protection, please refer to TI 33Q01J30-01E without fail.

## ■ TRADEMARK

- CENTUM is a registered trademark of Yokogawa Electric Corporation.
- Other company names and product names in this document are registered trademarks or trademarks of their respective holders.