

General Specifications

Cables
(for ProSafe-RS)



GS 32S06M10-01E

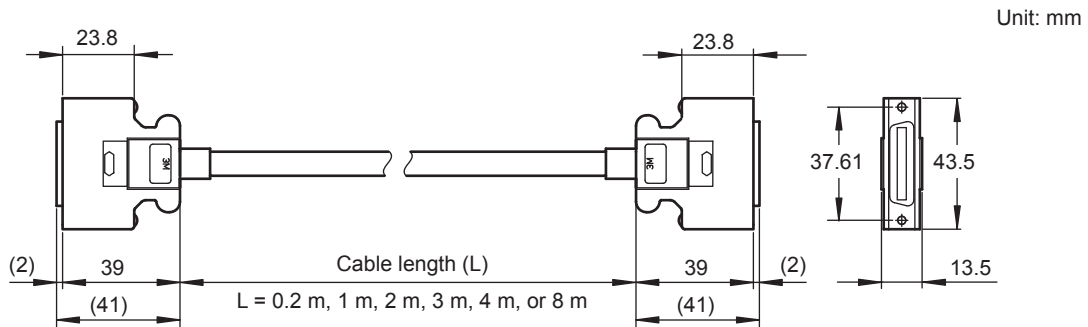
■ GENERAL

This GS covers the specifications for cables used in the ProSafe-RS system.

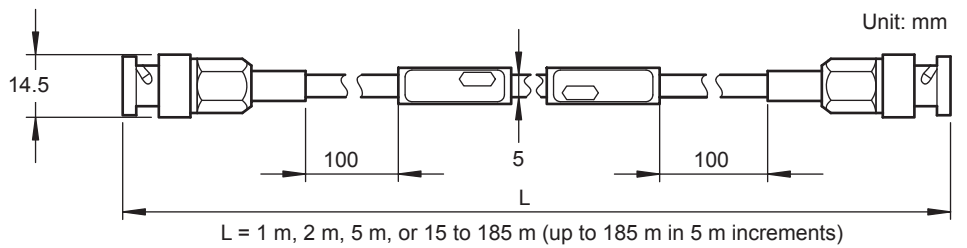
■ DIMENSIONS

● Cables

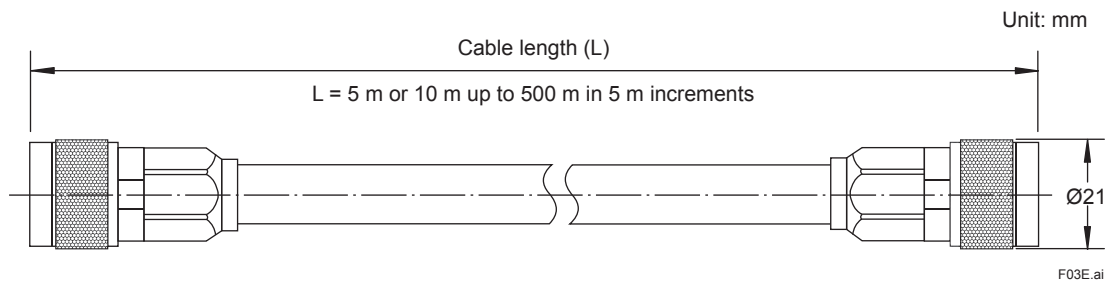
YCB301 ESB bus cable



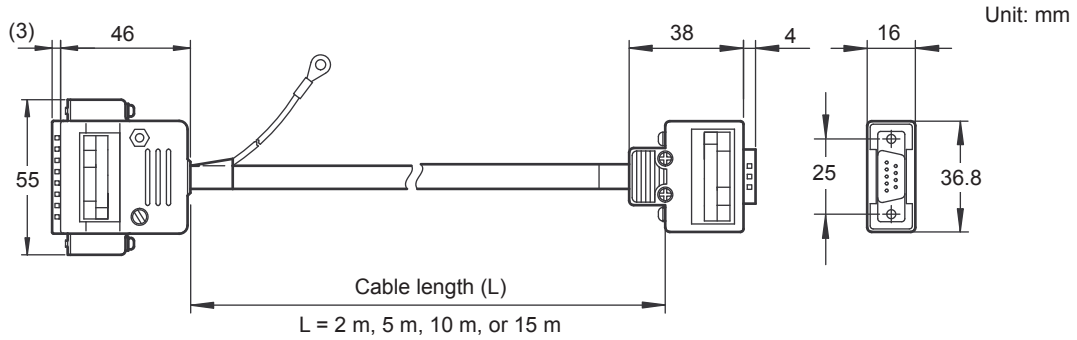
YCB141 V net cable (10BASE-2 cable)



YCB111 V net cable (10BASE-5 cable)



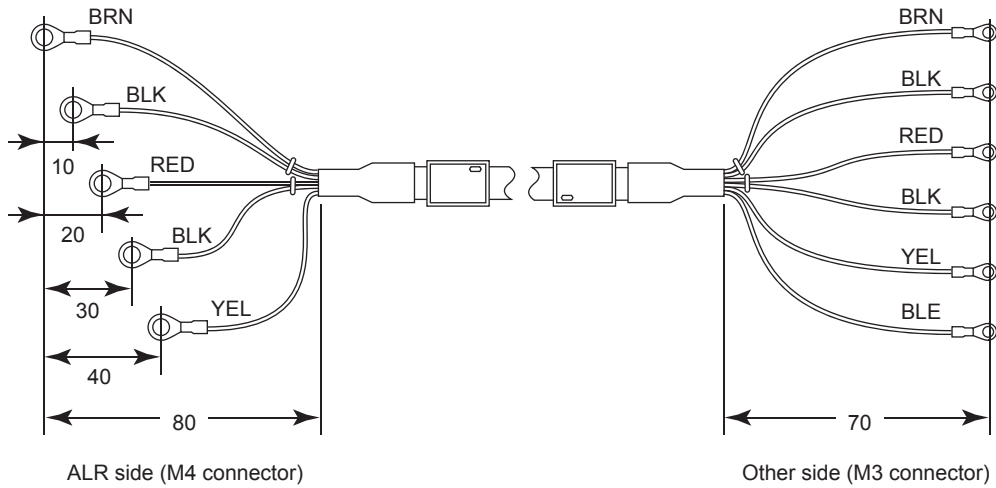
AKB131, AKB132, AKB135, AKB136 RS-232C Cables for Start-Stop Asynchronous Communications (for ALR111 Communications Module)



F04E.ai

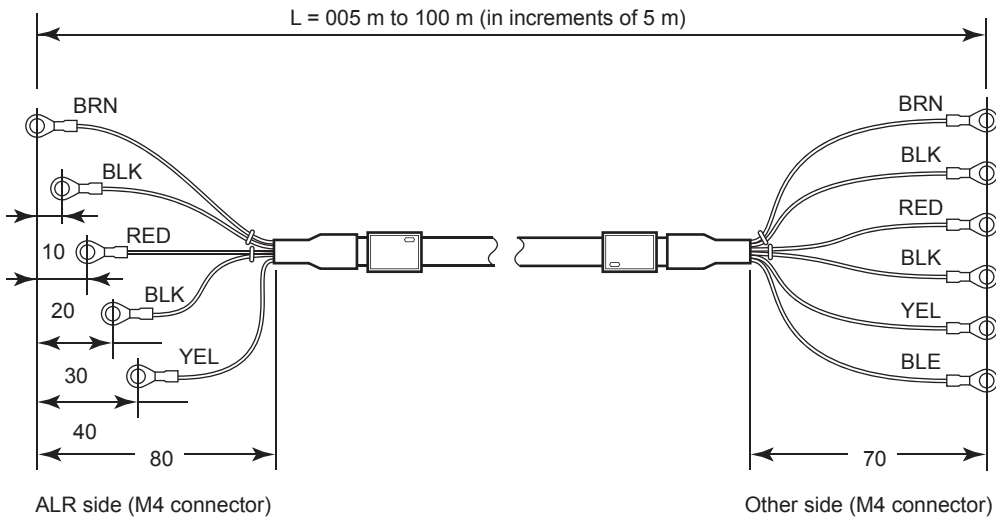
Note: An FG connection wire is attached to the other side connector of the AKB131 and AKB132 cables.

AKB161 RS-422/RS-485 cable (for ALR121 Communications Module)



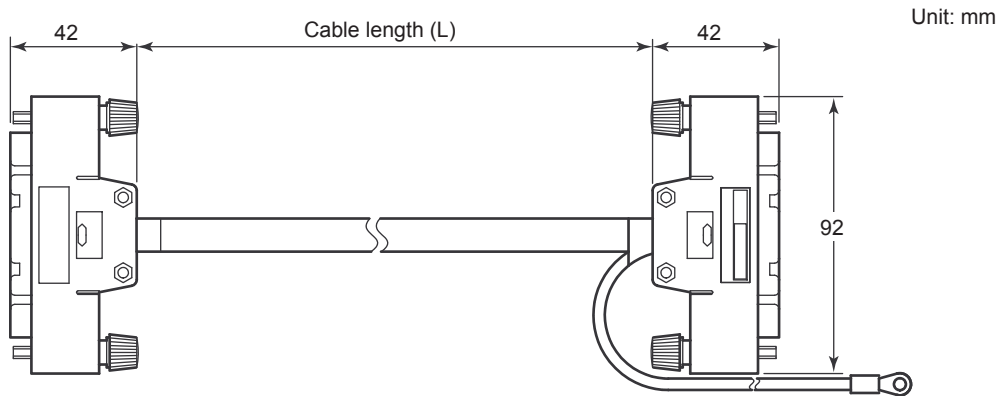
F05E.ai

AKB162 RS-422/RS-485 cable (for ALR121 Communications Module)



F06E.ai

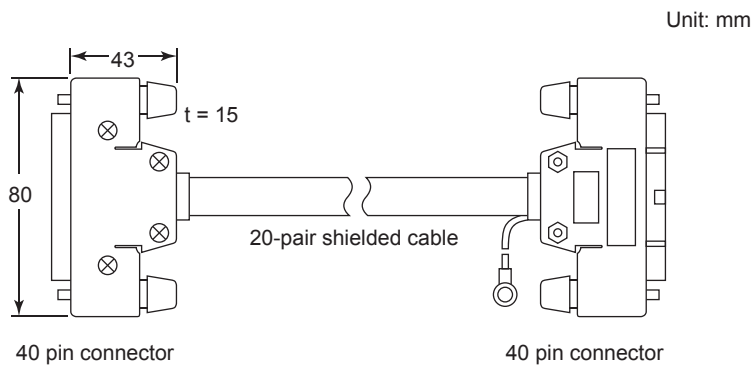
AKB331 Signal Cable (50-50 pins)



AKB331: L = 1 m, 2 m, 3 m, 5 m, 7 m or 10 m, up to 50 m in 5 m increments

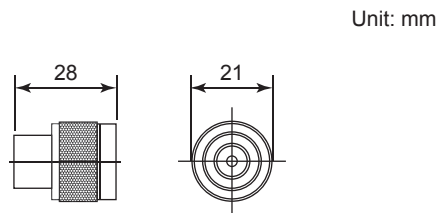
F07E.ai

KS1 Cable (40-40 pins)



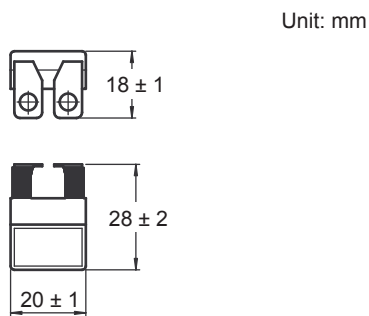
F08E.ai

YCB118 V net Terminator (for 10BASE-5 cable)



F09E.ai

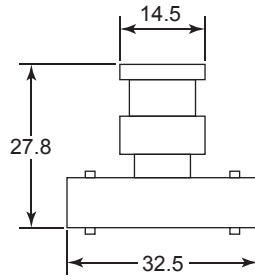
YCB128 IRIG (GPS) Terminator



F10E.ai

YCB146 Control Bus T-shaped Connector (for SENG)

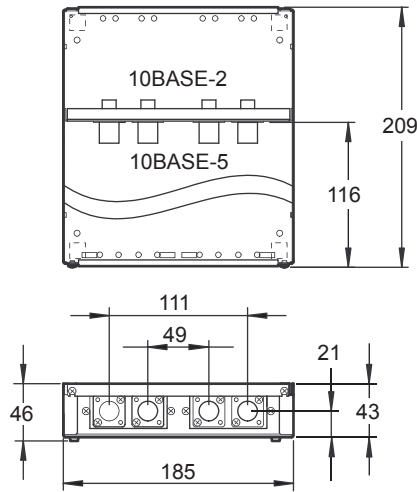
Unit: mm



F11E.ai

YCB147 Control Bus Cable Conversion Adapter

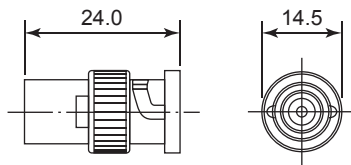
Unit: mm



F12E.ai

YCB148 V net Terminator (for 10BASE-2 Cable)

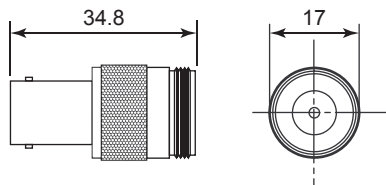
Unit: mm



F13E.ai

YCB149 Control Bus Conversion Unit

Unit: mm



F14E.ai

■ MODEL AND SUFFIX CODES

EBS Bus Cable

		Description
Model	YCB301	ESB bus cable
Suffix Code	-C020	Length: 20 m
	-C100	Length: 1 m
	-C200	Length: 2 m
	-C300	Length: 3 m
	-C400	Length: 4 m
	-C800	Length: 8 m

V net Cable

		Description
Model	YCB141	V net cable (10BASE-2)
Suffix Code	-M001	Length: 1 m
	-M002	Length: 2 m
	-M005	Length: 5 m
	-M010	Length: 10 m
	-M □□□	For more than 10 meters, enter multiples of 5 in the □□□ (the cable comes in 5-m increments). Maximum length: 185 m (suffix code: -M185)

Extended V net Cable

		Description
Model	YCB111	V net cable (10BASE-5)
Suffix Code	-M003	Length: 2.5 m
	-M005	Length: 5 m
	-M008	Length: 7.5 m
	-M □□□	For more than 10 meters, enter multiples of 5 in the □□□ (the cable comes in 5-m increments). Maximum length: 500 m (suffix code: -M500)

Control Bus Conversion Unit

		Description
Model	YCB149	Control Bus Conversion Unit

Control Bus Cable Conversion Adapter

		Description
Model	YCB147	Control bus cable conversion adapter
Suffix Code	-2	Two connectors
	-4	Four connectors
Option Code	/BR	General-purpose rack mounting

RS-232C Modem Cable (for connection between ALR111 and modem)

		Description
Model	AKB131	For connecting RS circuit isolated devices; RS-232C modem cable for start-stop asynchronous communications (9-25 pins)(for connection between ALR111 and modem)
Suffix Code	-M002	Length: 2 m
	-M005	Length: 5 m
	-M010	Length: 10 m
	-M015	Length: 15 m

RS-232C Null Modem Cable (for connection between ALR111 and RS-232C device)

		Description
Model	AKB132	RS-232C null modem cable for start-stop asynchronous communications (9-25 pins)(for connection between ALR111 and RS-232C device)
Suffix Code	-M002	Length: 2 m
	-M005	Length: 5 m
	-M010	Length: 10 m
	-M015	Length: 15 m

RS-232C Modem Cable (for connection between ALR111 and modem)

		Description
Model	AKB135	RS-232C modem cable for start-stop asynchronous communications (9-25 pins)(for connection between ALR111 and modem)
Suffix Code	-M002	Length: 2 m
	-M005	Length: 5 m
	-M010	Length: 10 m
	-M015	Length: 15 m

RS-232C Null Modem Cable (for connection between ALR111 and RS-232C device)

		Description
Model	AKB136	RS-232C null modem cable for start-stop asynchronous communications (9-25 pins)(for connection between ALR111 and RS-232C device)
Suffix Code	-M002	Length: 2 m
	-M005	Length: 5 m
	-M010	Length: 10 m
	-M015	Length: 15 m

Signal Cables

		Description
Model	AKB331	Signal cable (50-50 pins) (for connections between SDV144 and terminal board and between SDV531 and terminal board)
Suffix Code	-M001	Length: 1 m
	-M002	Length: 2 m
	-M003	Length: 3 m
	-M005	Length: 5 m
	-M007	Length: 7 m
	-M010	Length: 10 m
	-M015	Length: 15 m
	-M020	Length: 20 m
	-M025	Length: 25 m
	-M030	Length: 30 m
	-M035	Length: 35 m
	-M040	Length: 40 m
	-M045	Length: 45 m
	-M050	Length: 50 m

		Description
Model	KS1	Signal cable (40-40 pins)
Suffix Code	-001	Length: 1 m
	-002	Length: 2 m
	-003	Length: 3 m
	-005	Length: 5 m
	-007	Length: 7 m
	-010	Length: up to 10 m
	-015	Length: up to 15 m
	-020	Length: up to 20 m
	-025	Length: up to 25 m
	-030	Length: up to 30 m
	-035	Length: up to 35 m
	-040	Length: up to 40 m
	-045	Length: up to 45 m
	-050	Length: up to 50 m
Style Code	*	Style

		Description
Model	YCB118	V net terminator (for 10BASE-5 cable)

		Description
Model	YCB148	V net terminator (for 10BASE-2 cable)

		Description
Model	YCB128	RIO bus terminator (terminator for IRIG)

		Description
Model	AKB161	RS-422/RS-485 cable Used between ALM side (M4 terminal) and other side (M3 terminal)
Suffix Code	-M □□□	Enter multiples of 5 in the □□□ (the cable comes in 5-m increments). Maximum length: 100 m (suffix code: -M100)

		Description
Model	AKB162	RS-422/RS-485 cable Used between ALR side (M4 terminal) and other side (M4 terminal)
Suffix Code	-M □□□	Enter multiples of 5 in the □□□ (the cable comes in 5-m increments). Maximum length: 100 m (suffix code: -M100)

		Description
Model	YCB146	T-shaped control bus connector (for SENG)

■ ORDERING INFORMATION

Specify the model and suffix codes when ordering.

■ TRADEMARKS

- ProSafe is a registered trademark of Yokogawa Electric Corporation.
- Other company and product names appearing in this document are trademarks or registered trademarks of their respective holders.